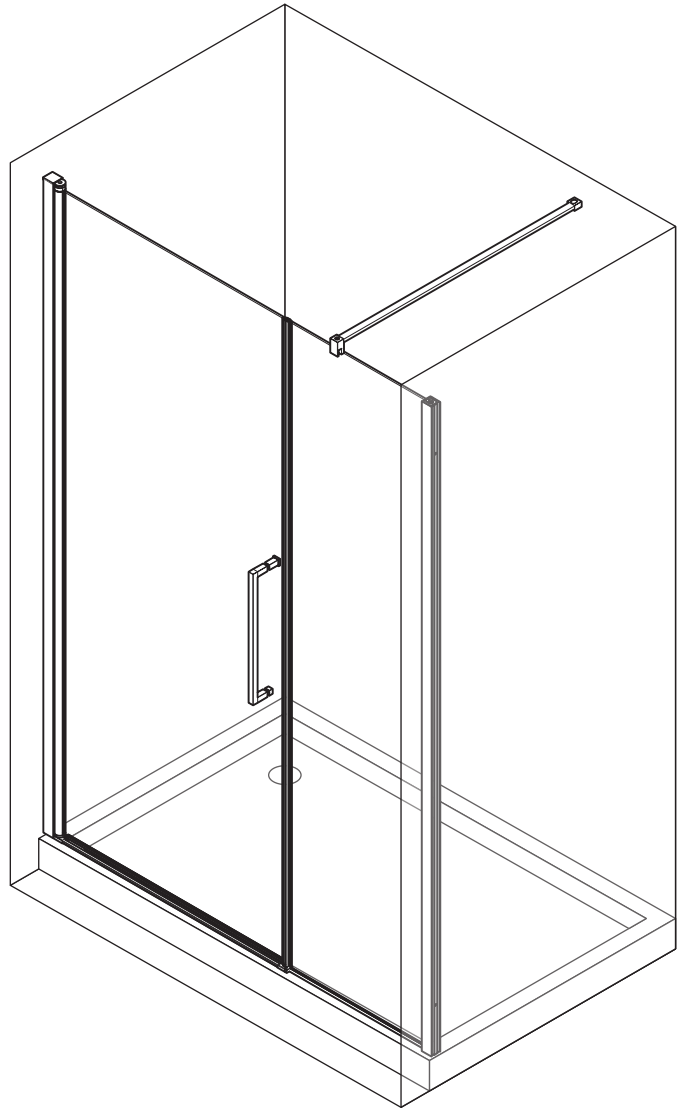
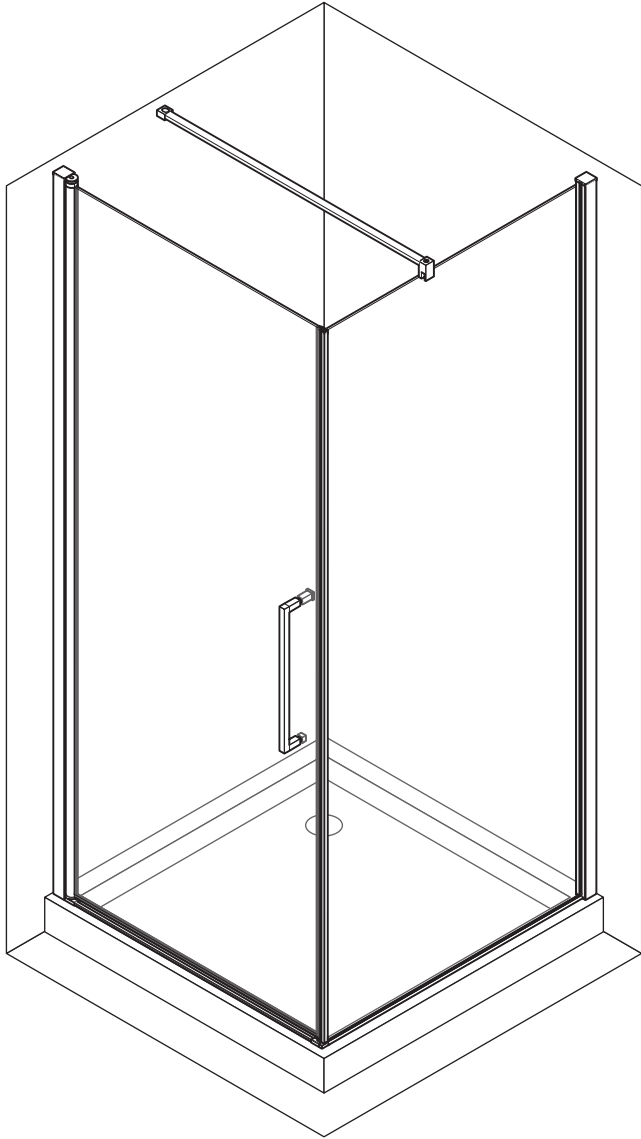
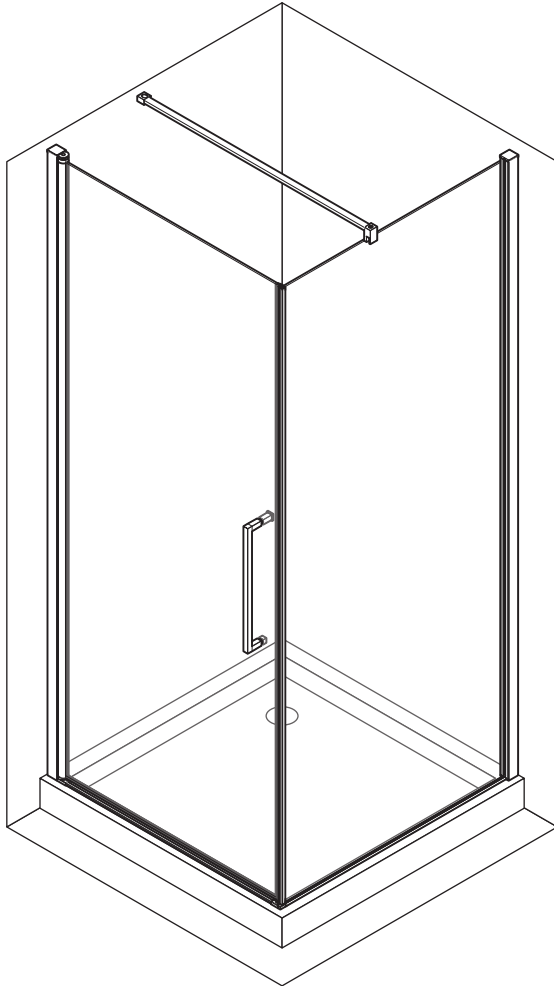


**GF**

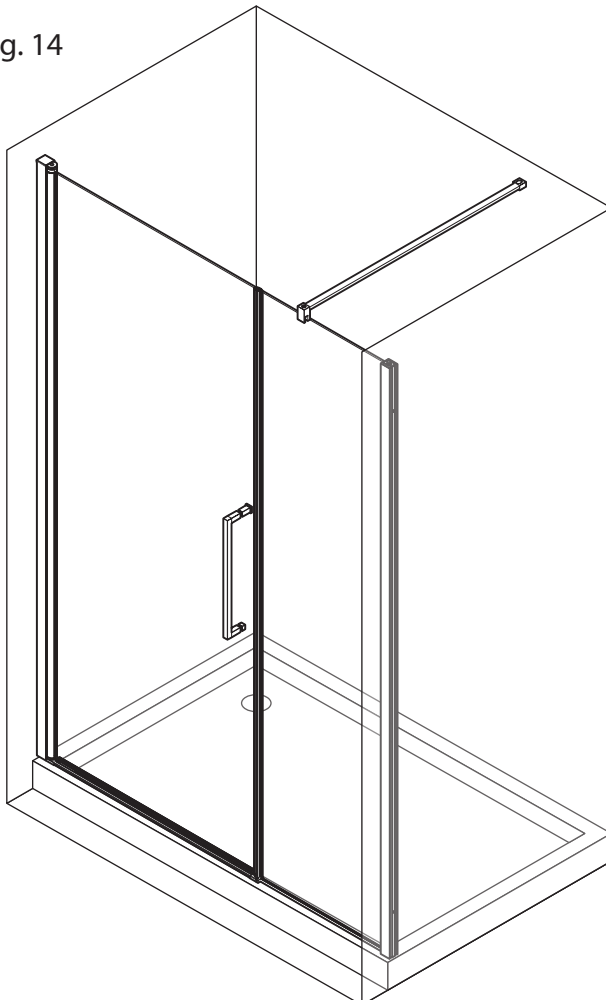


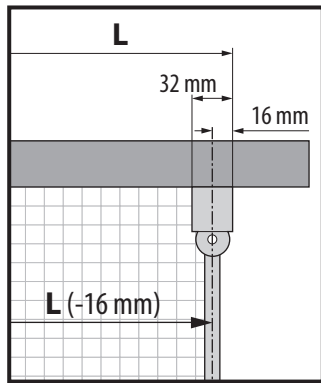
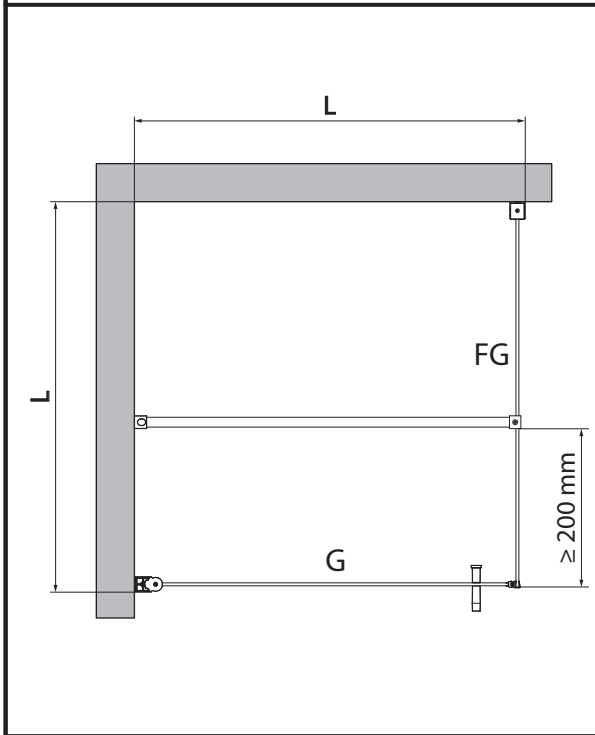
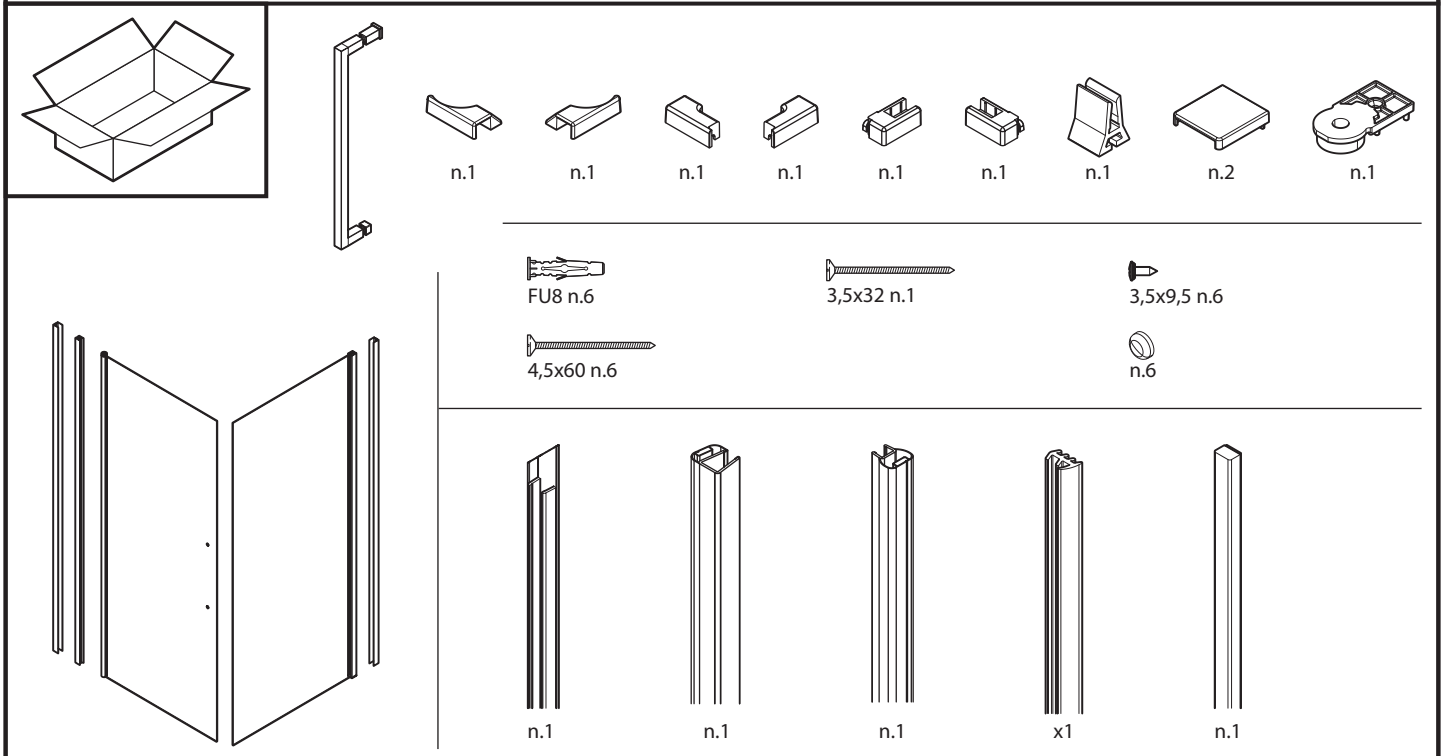
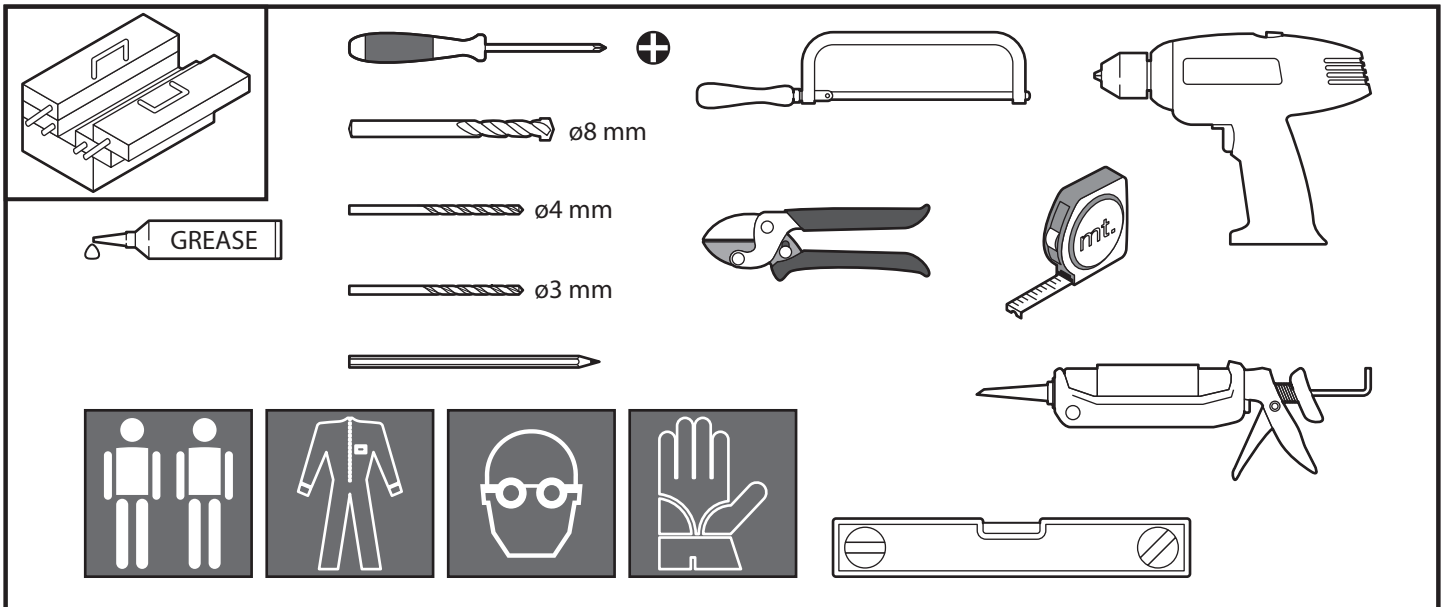
<hr/> <hr/> <hr/> <hr/>	<hr/> <hr/> <hr/> <hr/>
-------------------------	-------------------------

**GF** pag. 3



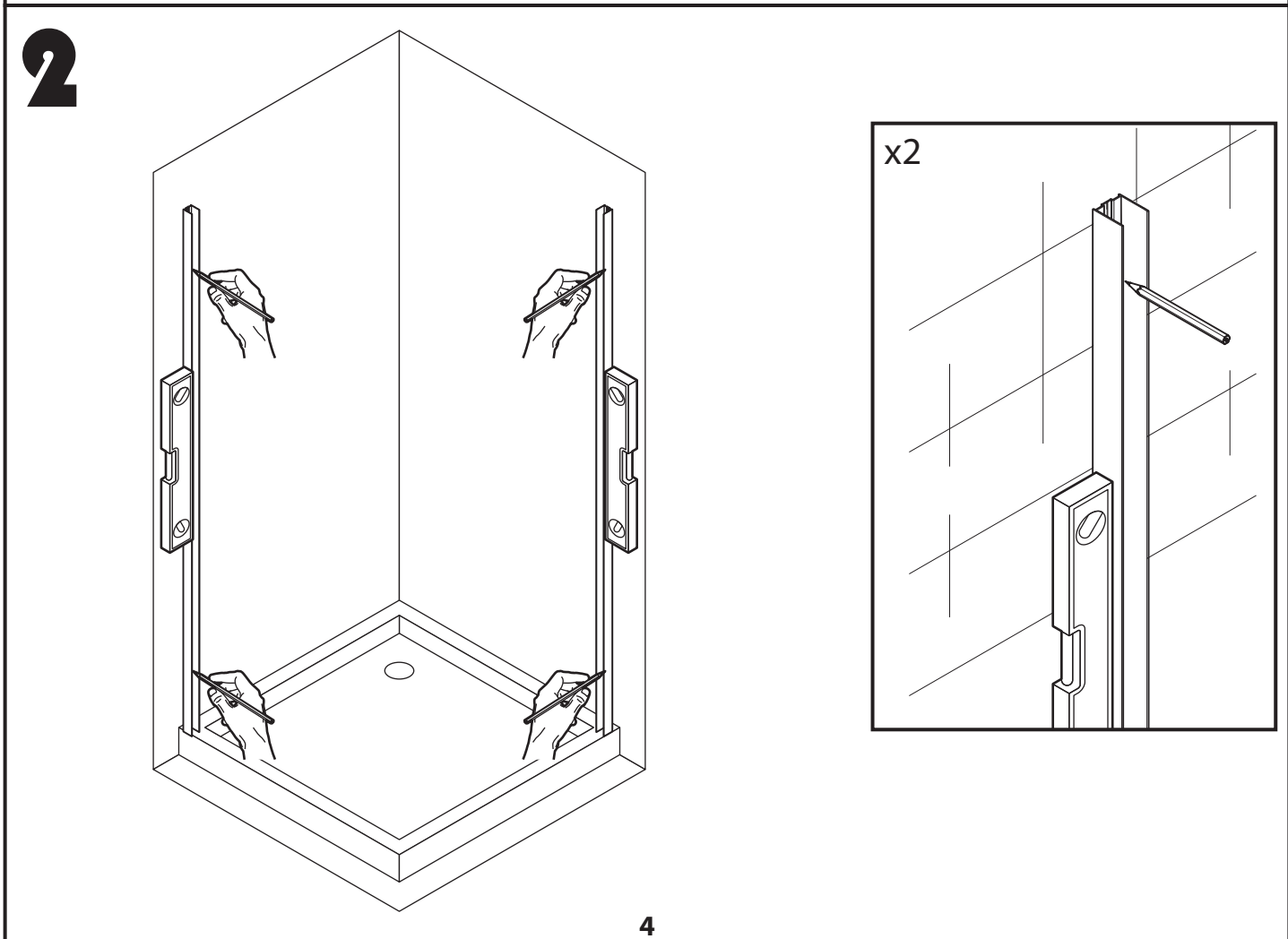
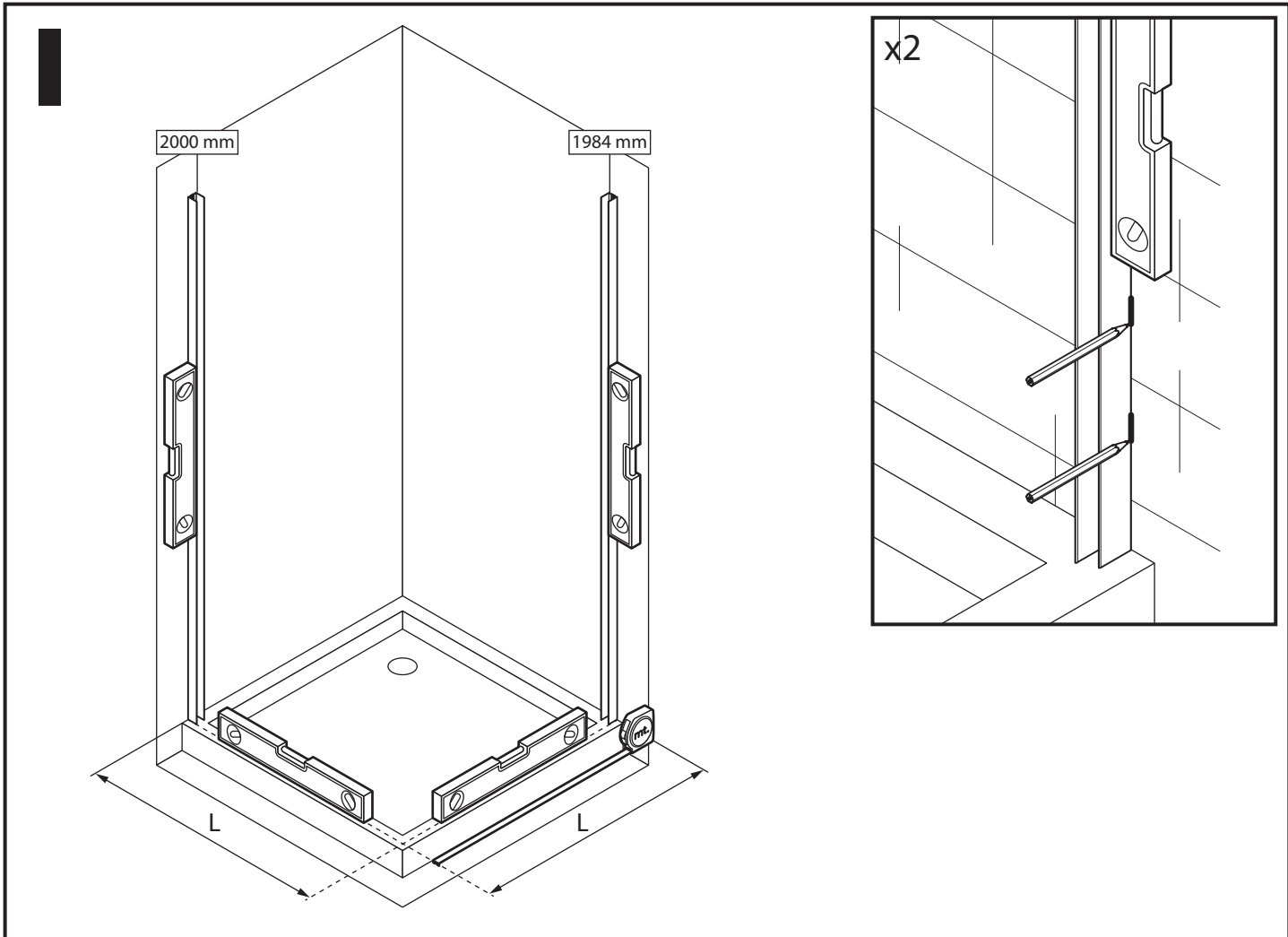
**G+FL** pag. 14





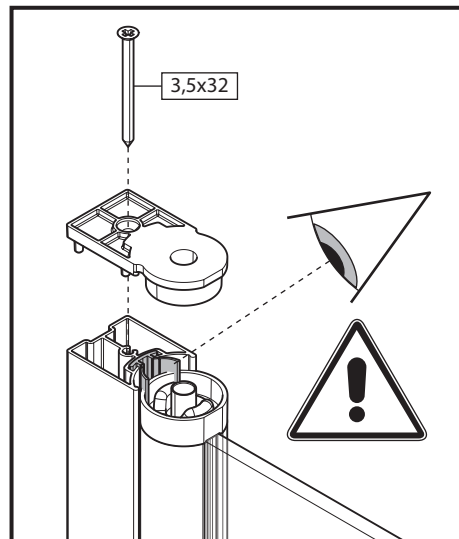
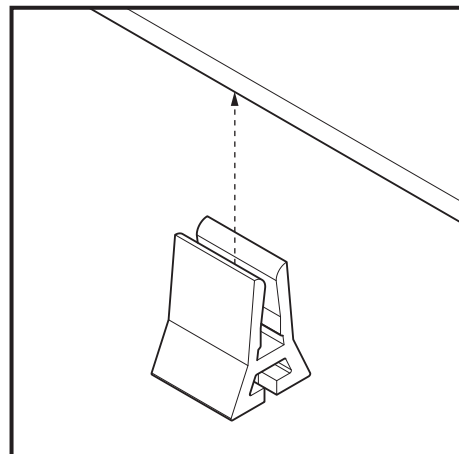
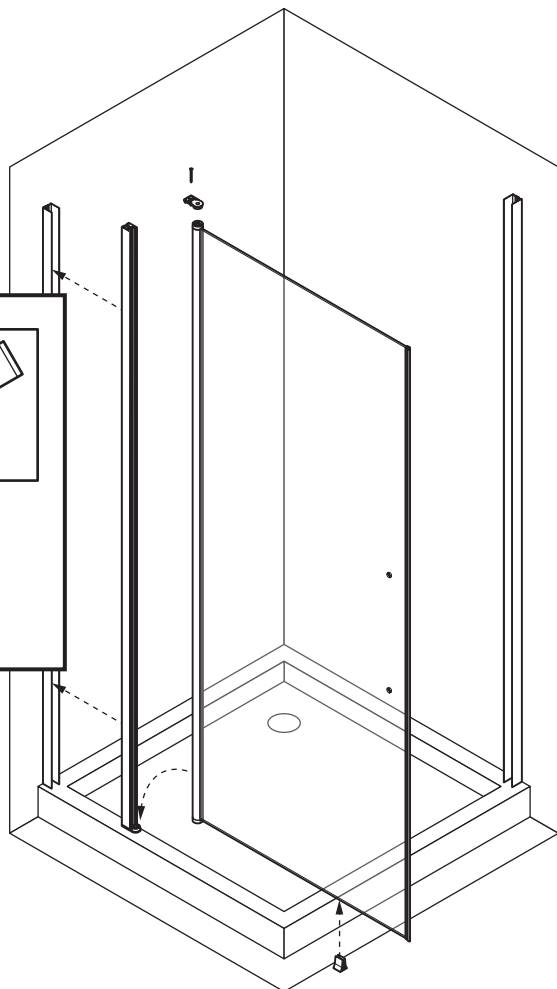
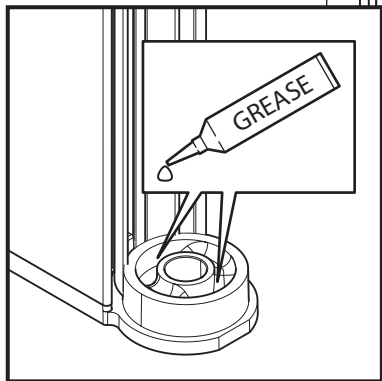
FG57	L=57-59 cm
FG59	L=59-61 cm
FG61	L=61-63 cm
FG65	L=65-67 cm
FG67	L=67-69 cm
FG69	L=69-71 cm
FG73	L=73-75 cm
FG75	L=75-77 cm
FG76	L=76-78 cm
FG77	L=77-79 cm
FG79	L=79-81 cm
FG81	L=81-83 cm
FG85	L=85-87 cm
FG87	L=87-89 cm
FG89	L=89-91 cm
FG91	L=91-93 cm
FG95	L=95-97 cm
FG97	L=97-99 cm
FG99	L=99-101 cm
FG101	L=101-103 cm
FG117	L=117-119 cm
FG119	L=119-121 cm

G57	L=57-59 cm
G59	L=59-61 cm
G61	L=61-63 cm
G65	L=65-67 cm
G67	L=67-69 cm
G69	L=69-71 cm
G72	L=72-74 cm
G74	L=74-76 cm
G76	L=76-78 cm
G77	L=77-79 cm
G79	L=79-81 cm
G81	L=81-83 cm
G85	L=85-87 cm
G87	L=87-89 cm
G89	L=89-91 cm
G91	L=91-93 cm
G93	L=93-95 cm
G95	L=95-97 cm
G97	L=97-99 cm
G99	L=99-101 cm
G101	L=101-103 cm

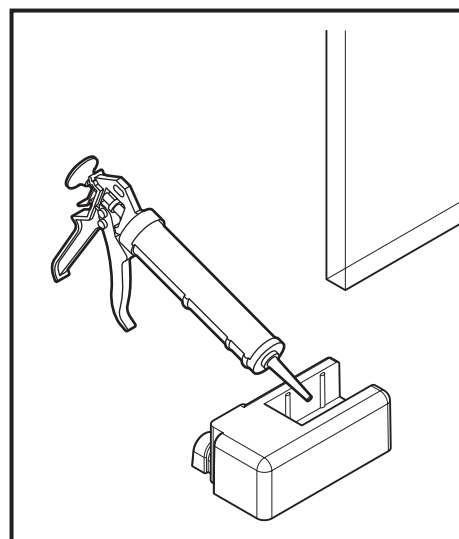
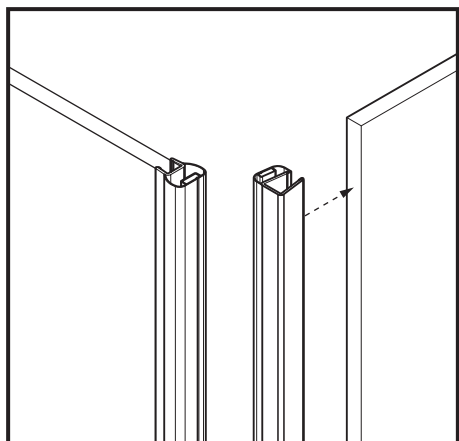
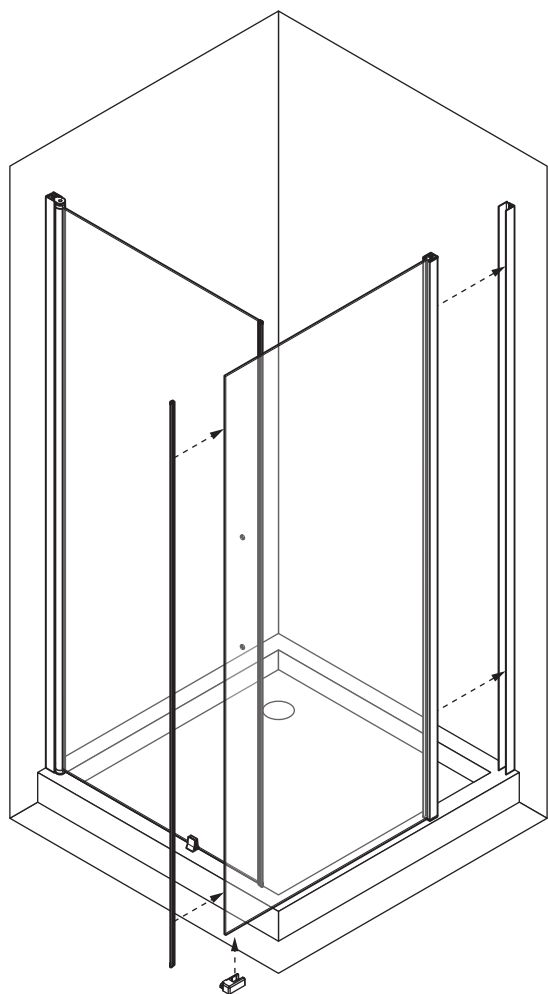




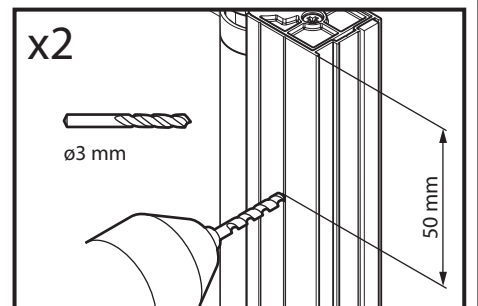
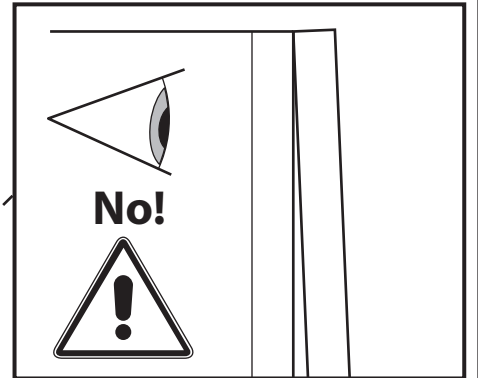
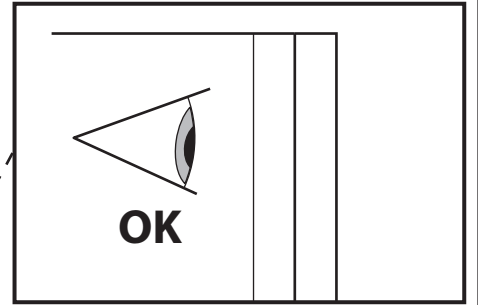
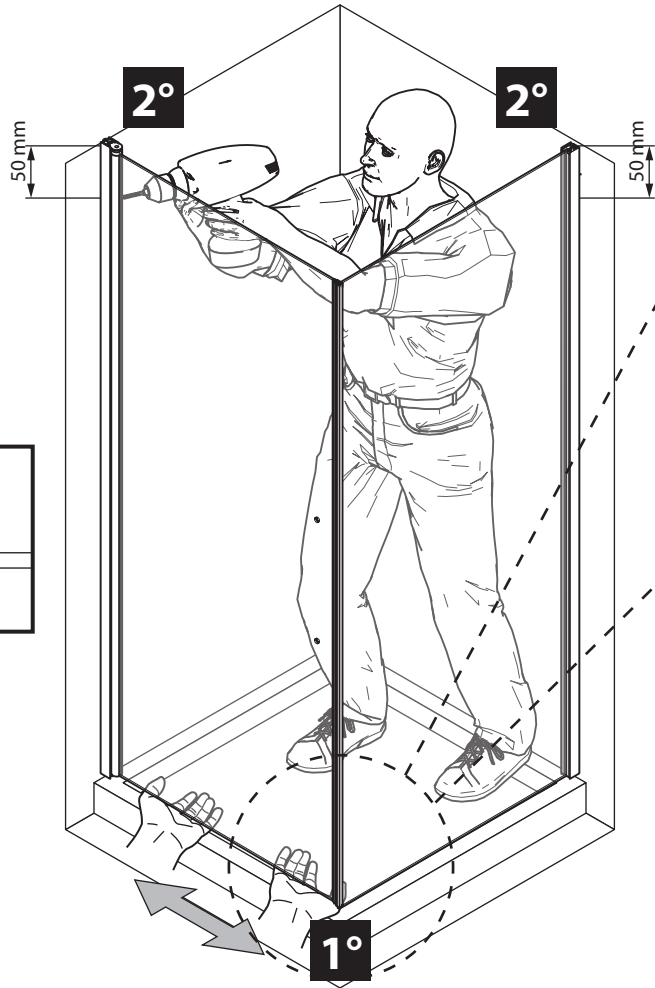
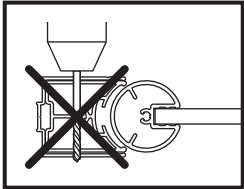
# 5



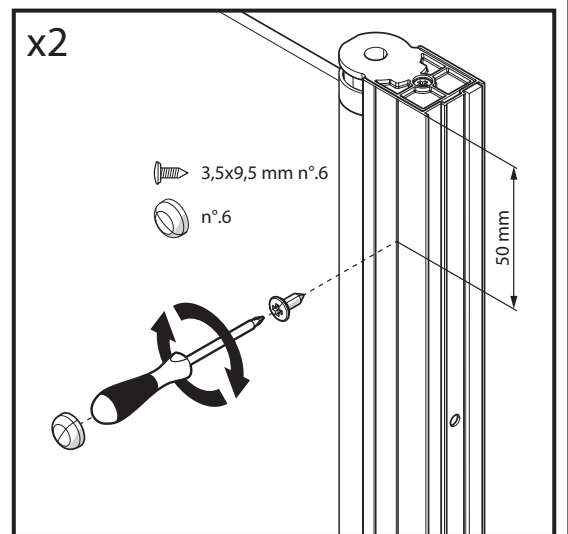
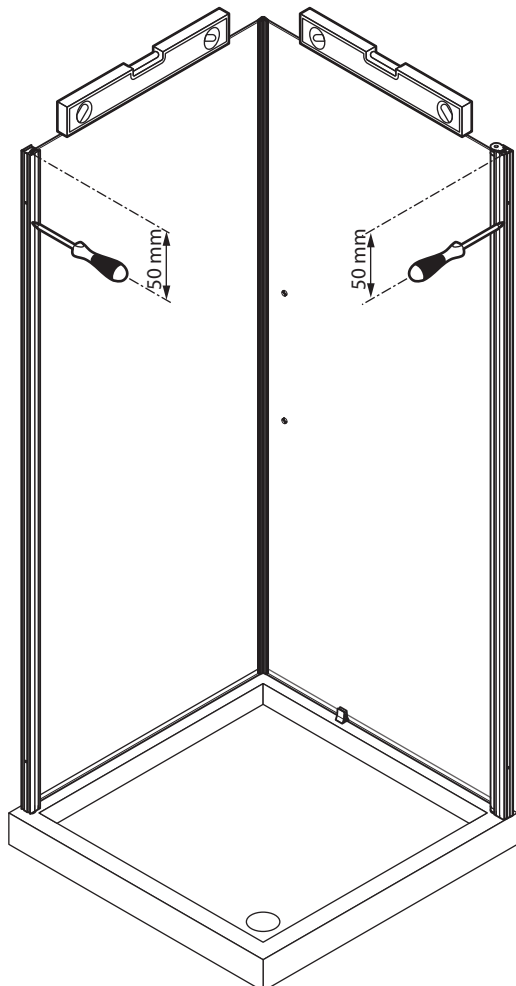
# 6



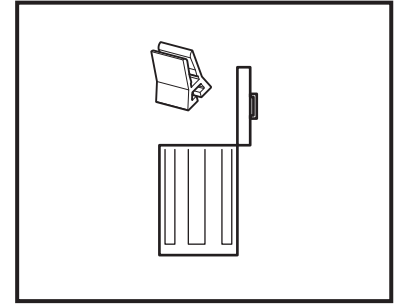
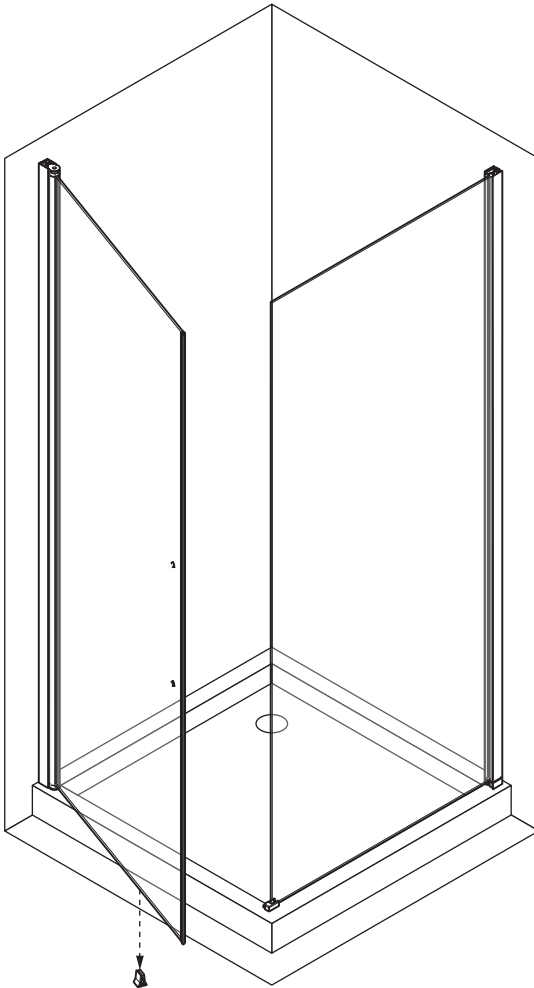
# 7



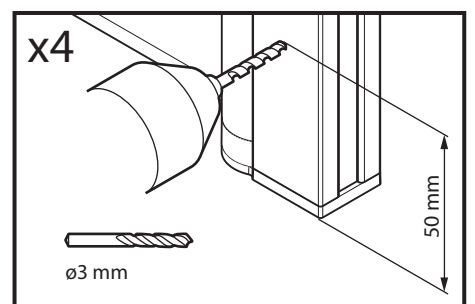
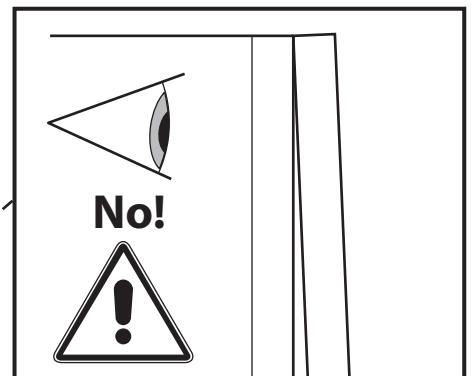
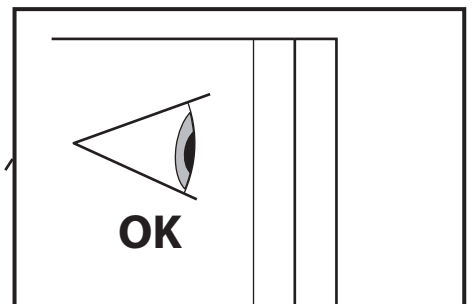
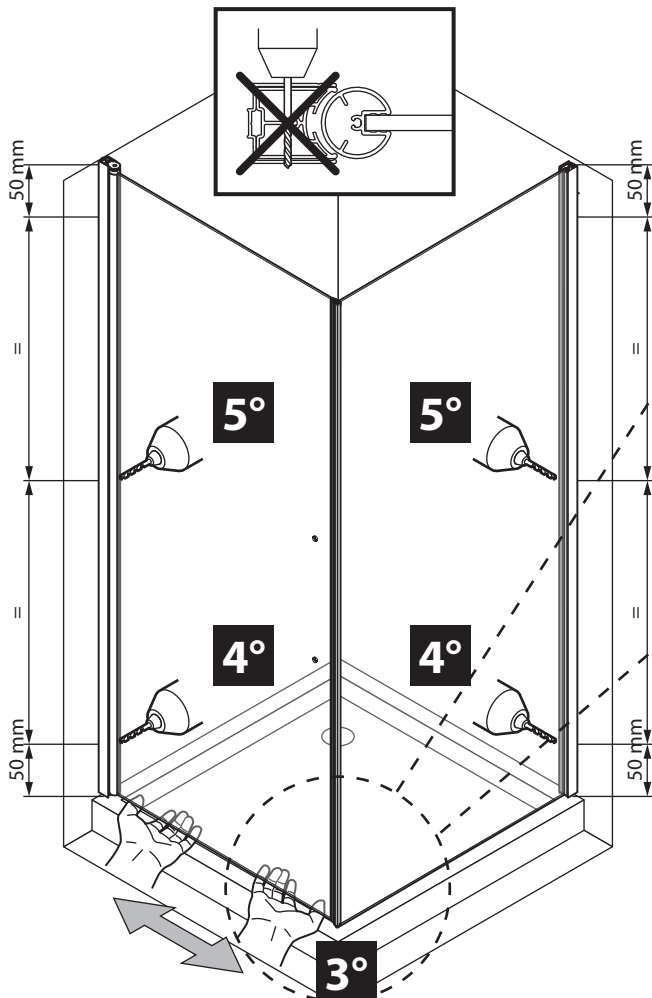
# 8



9

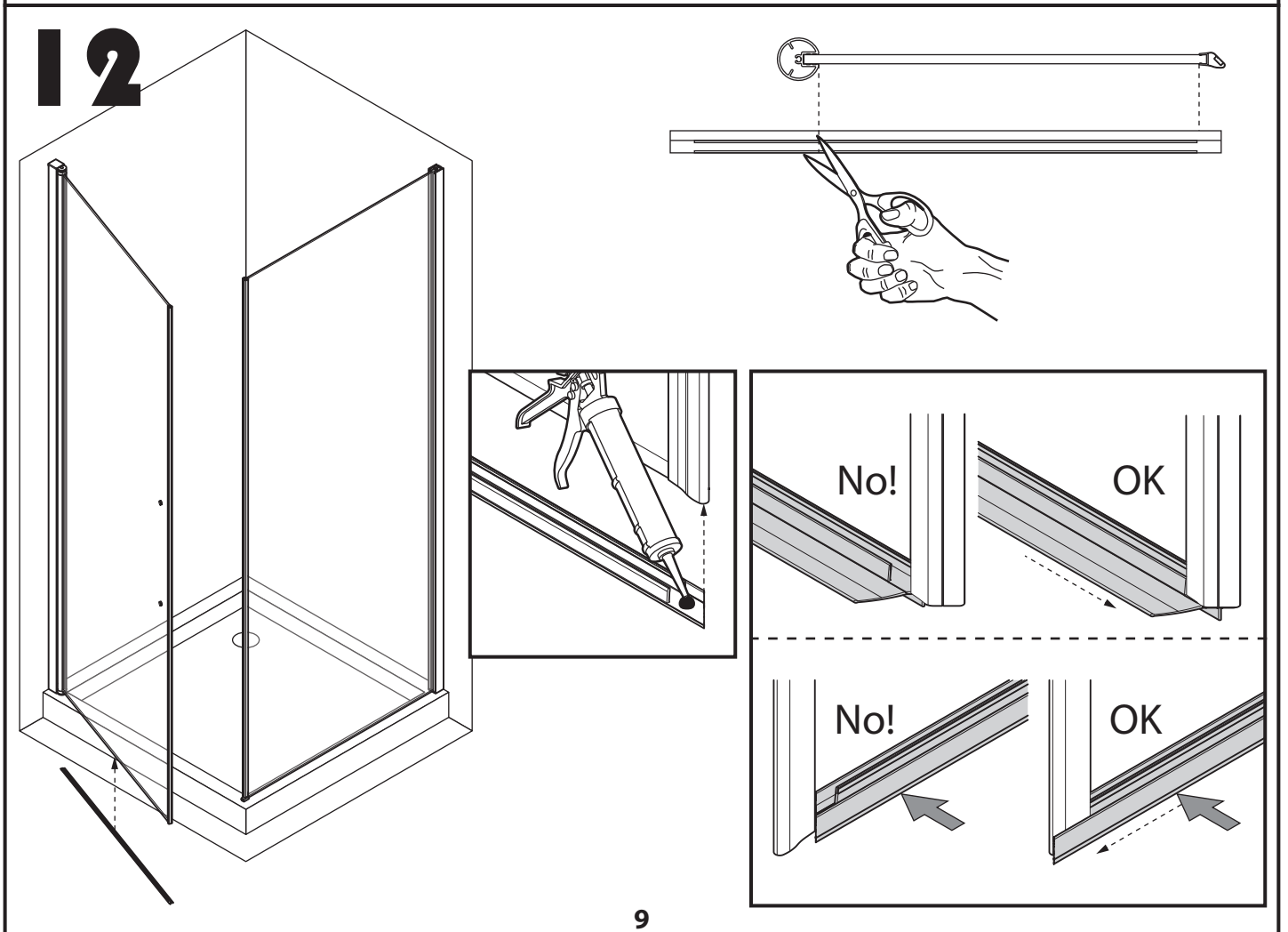
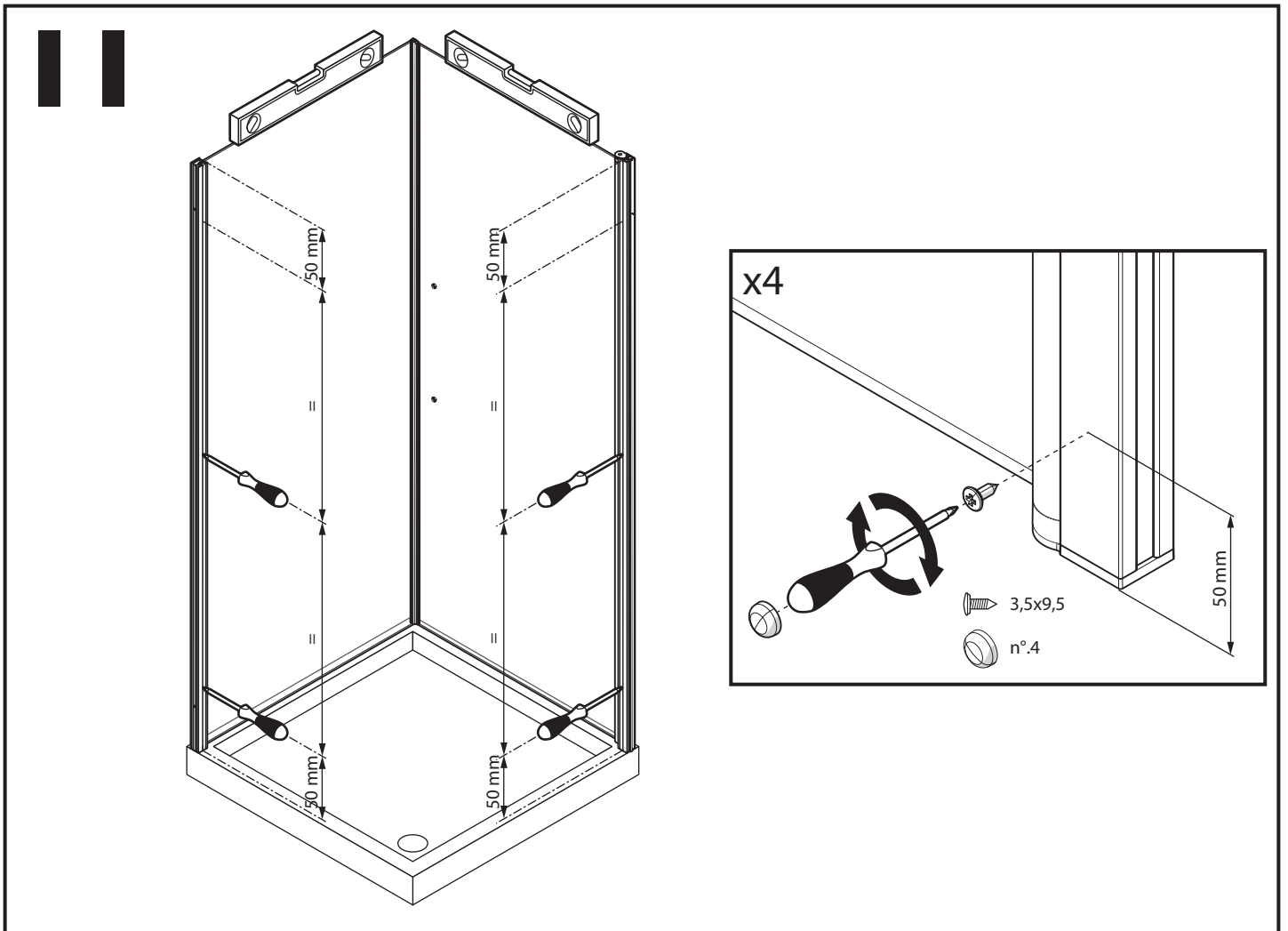


10

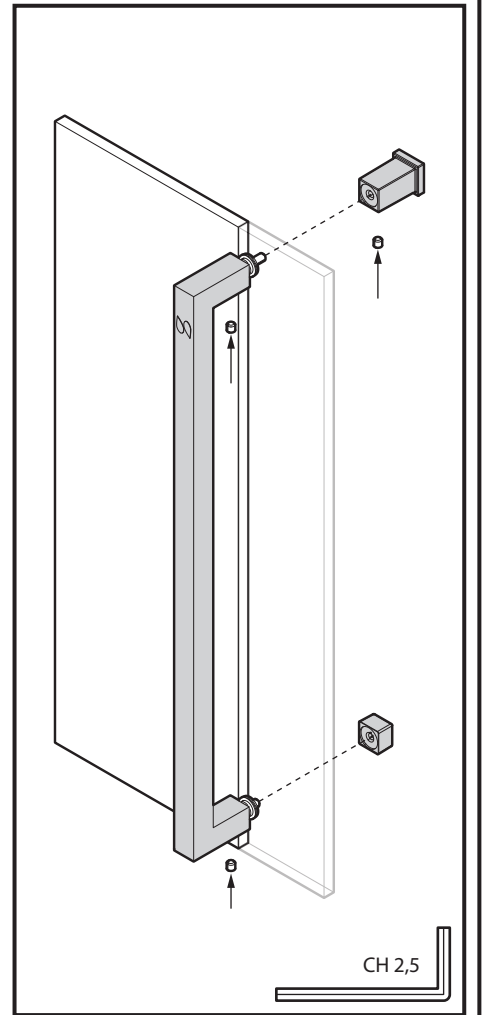
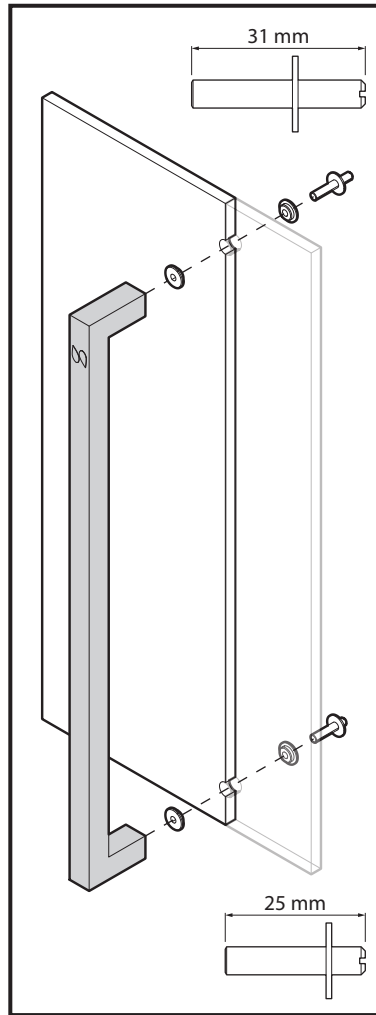
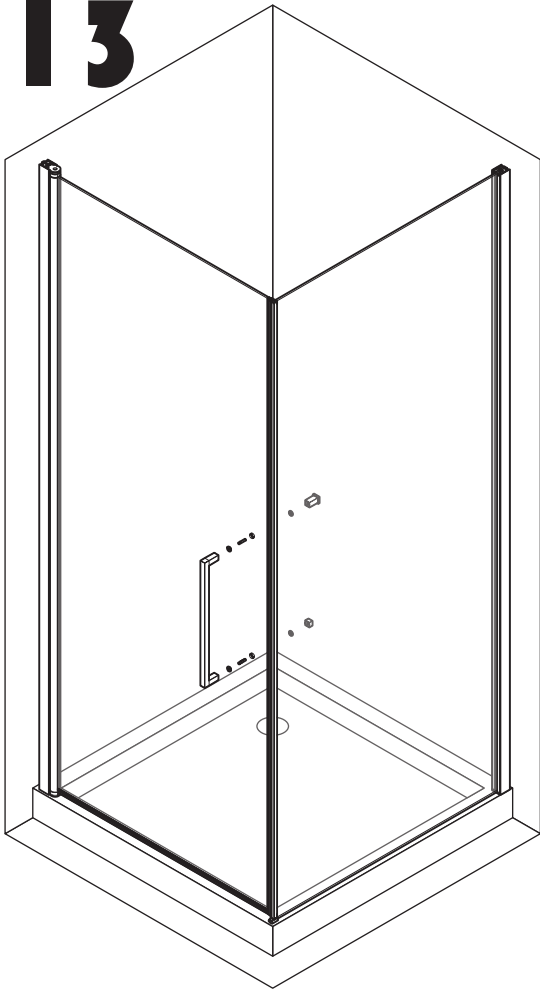


8

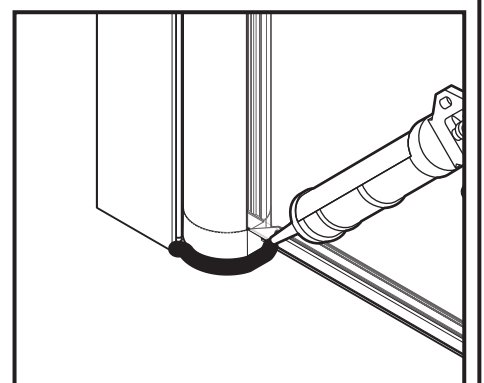
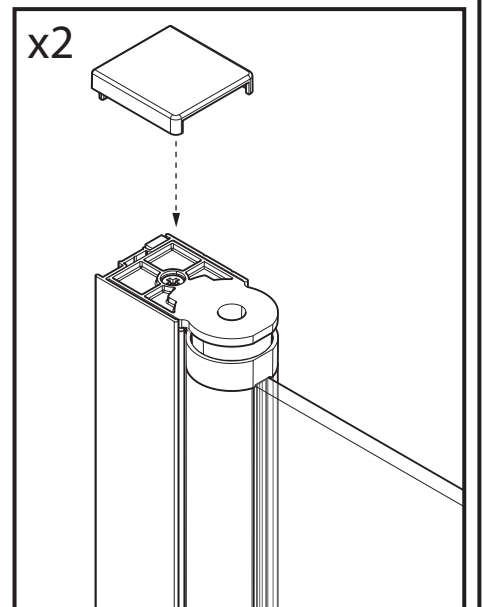
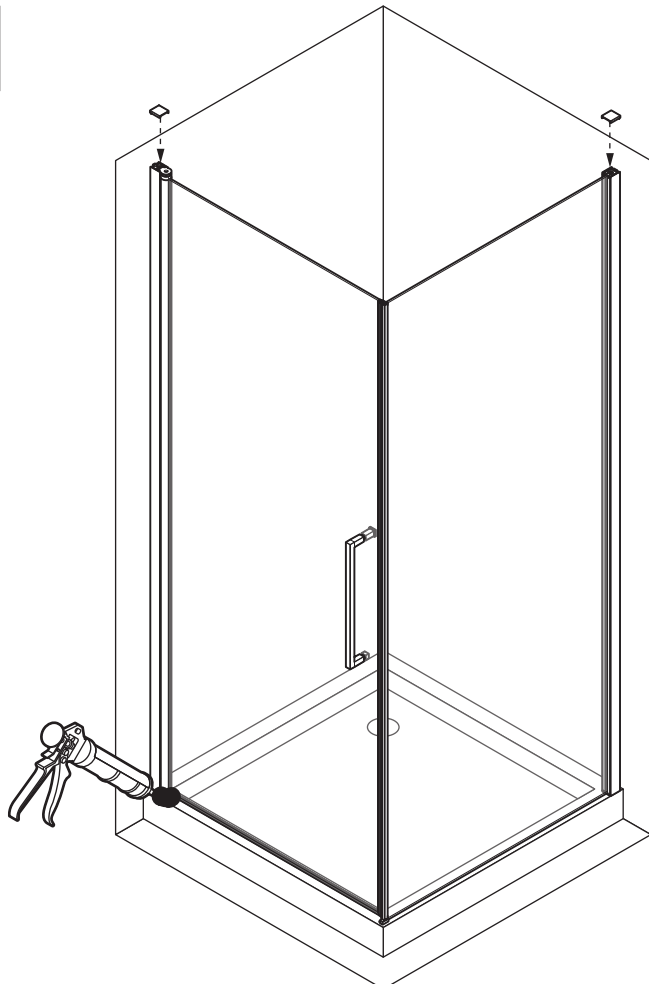




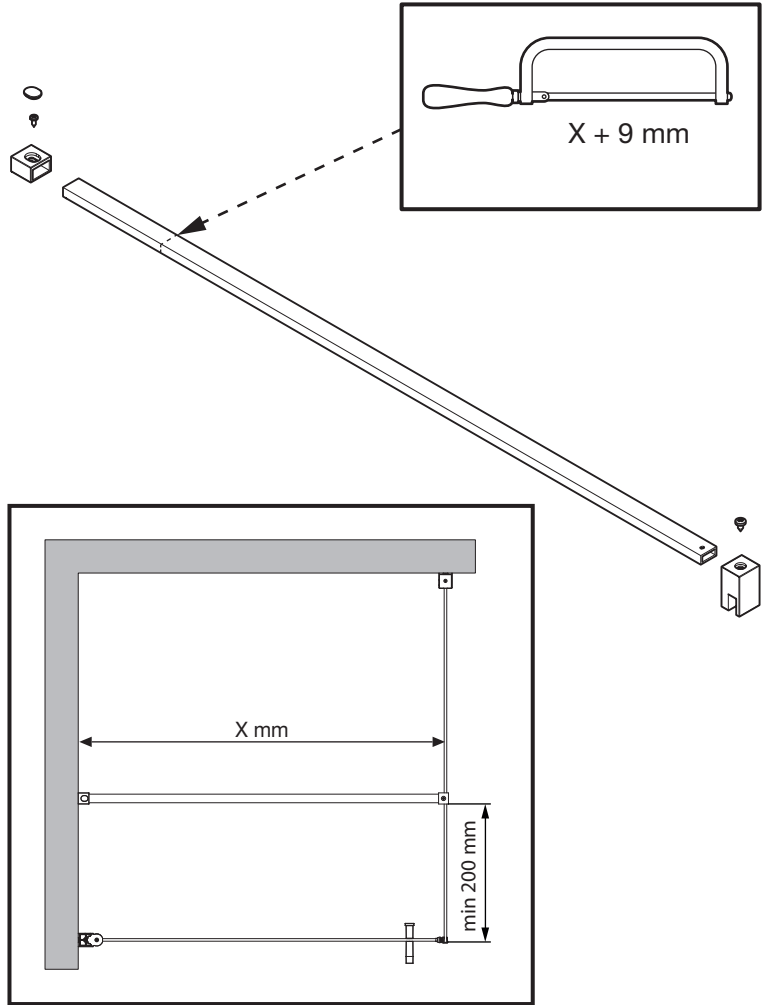
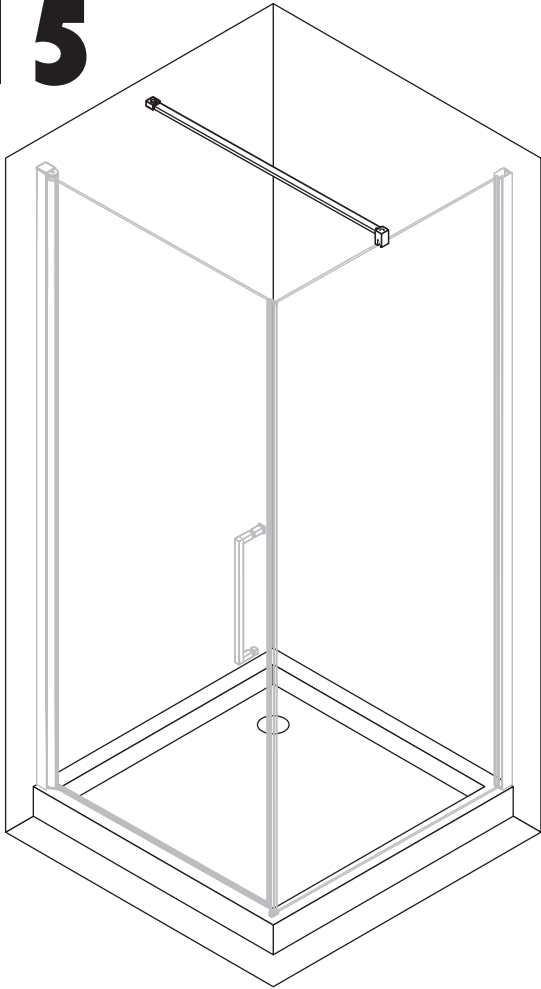
# 13



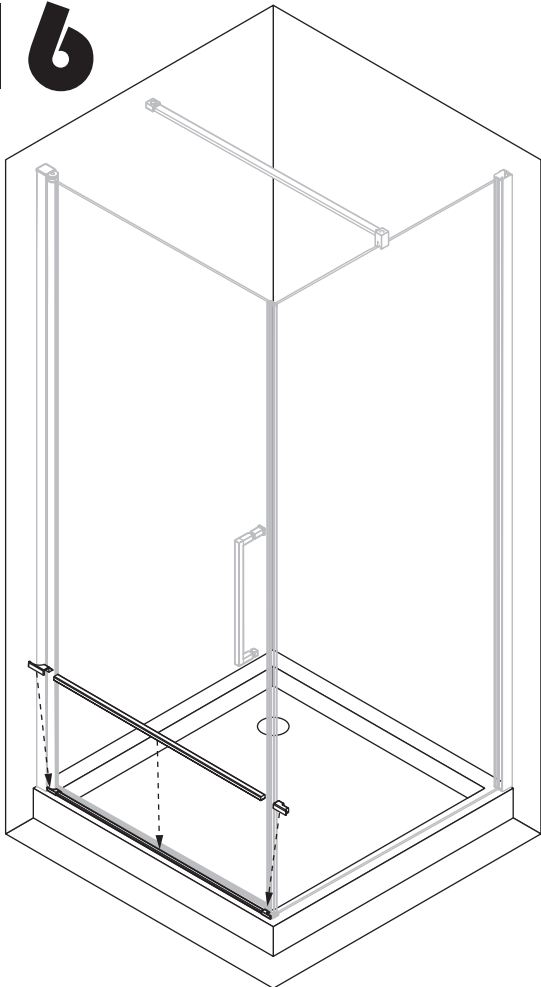
# 14



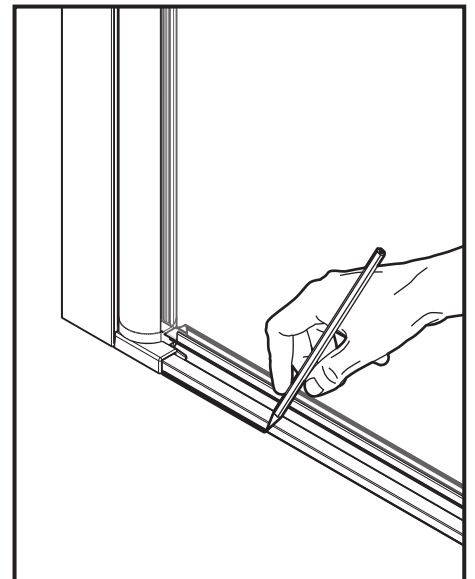
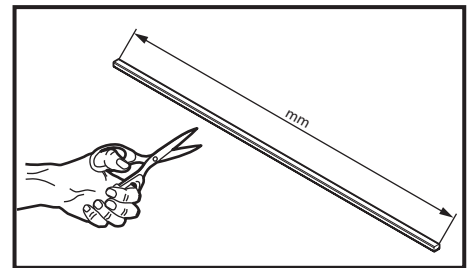
# 15



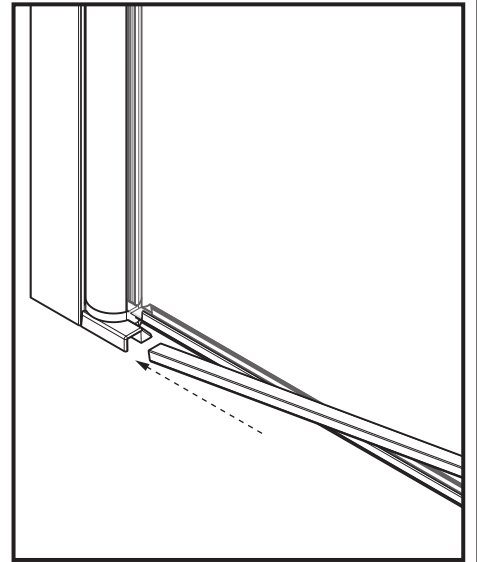
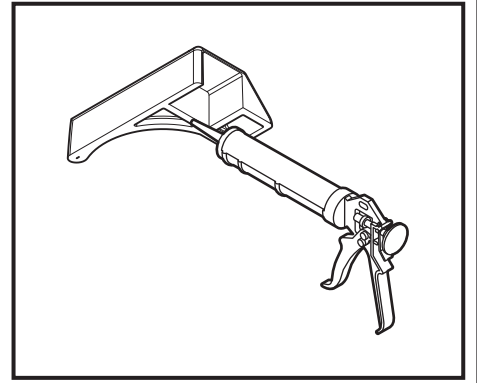
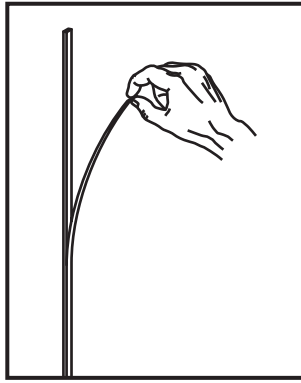
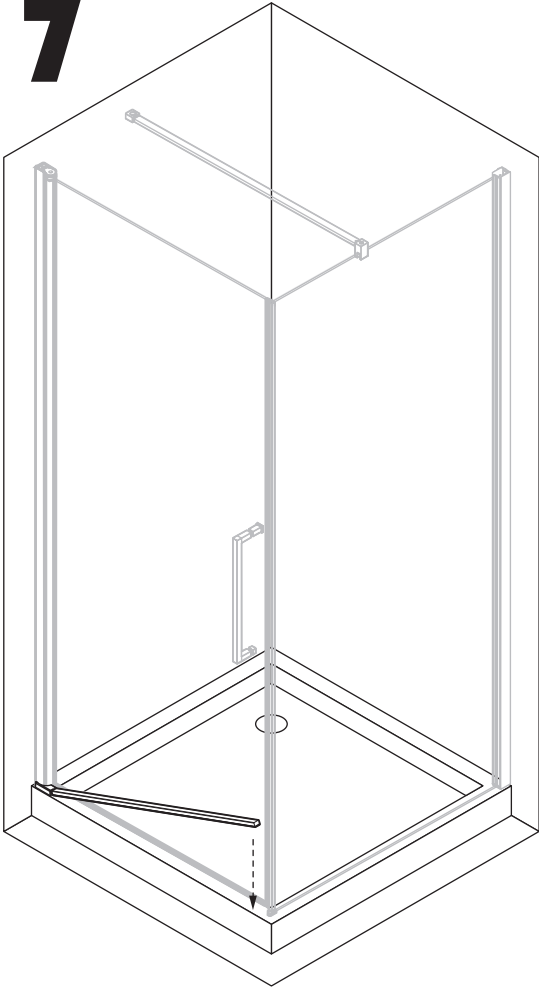
# 16



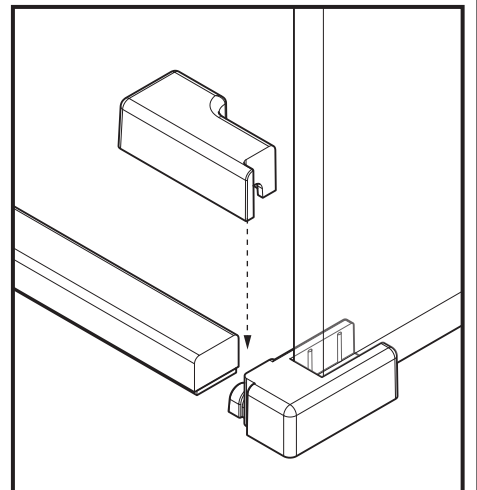
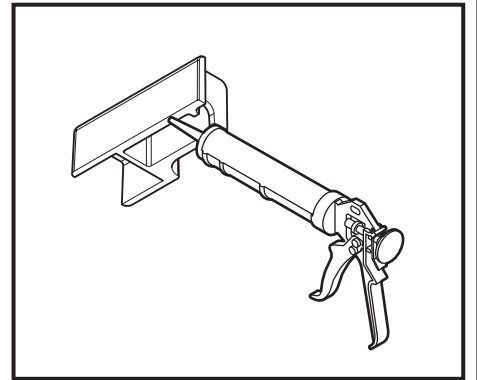
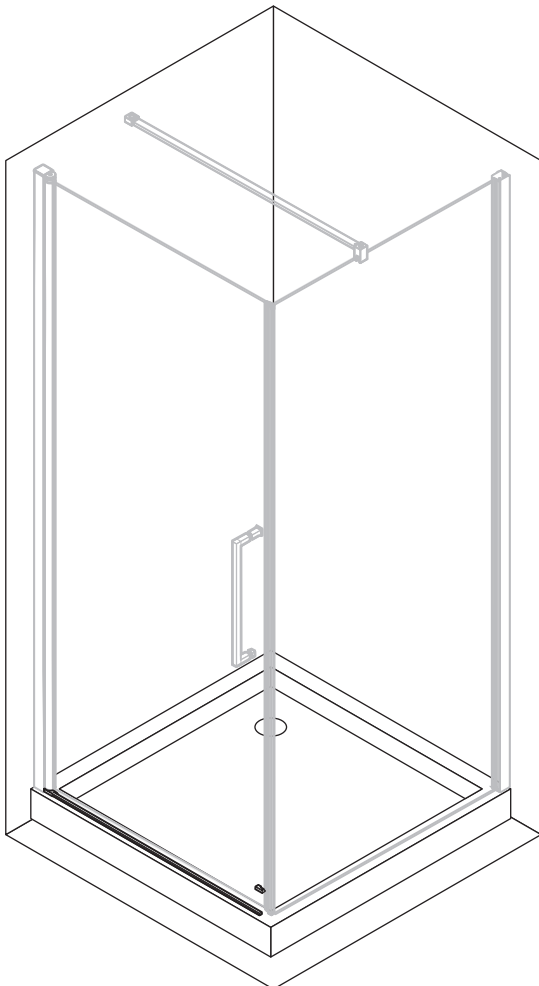
mod. G	mm
57-59	472
59-61	492
61-63	512
65-67	552
67-69	572
69-71	592
72-74	622
74-76	642
76-78	662
77-79	672
79-81	692
81-83	712
85-87	752
87-89	772
89-91	792
91-93	812
93-95	832
95-97	852
97-99	872
99-101	892
101-103	912



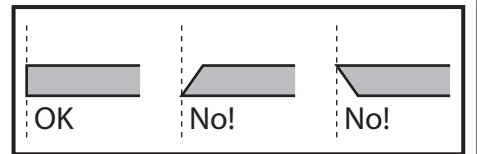
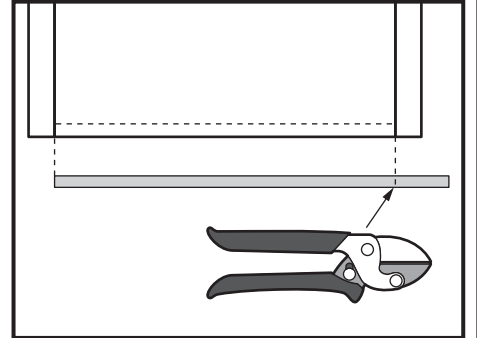
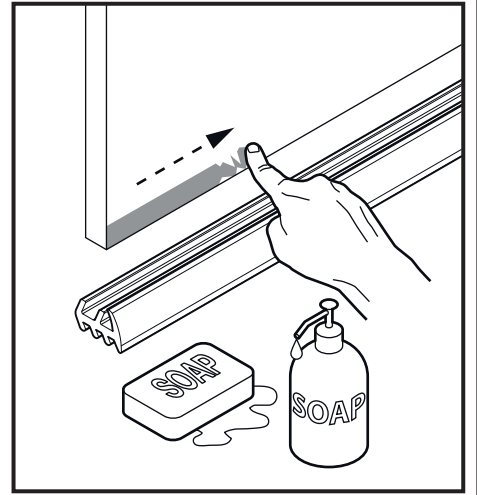
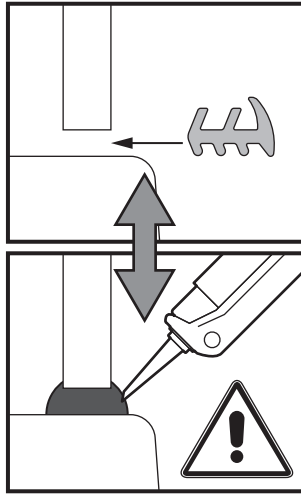
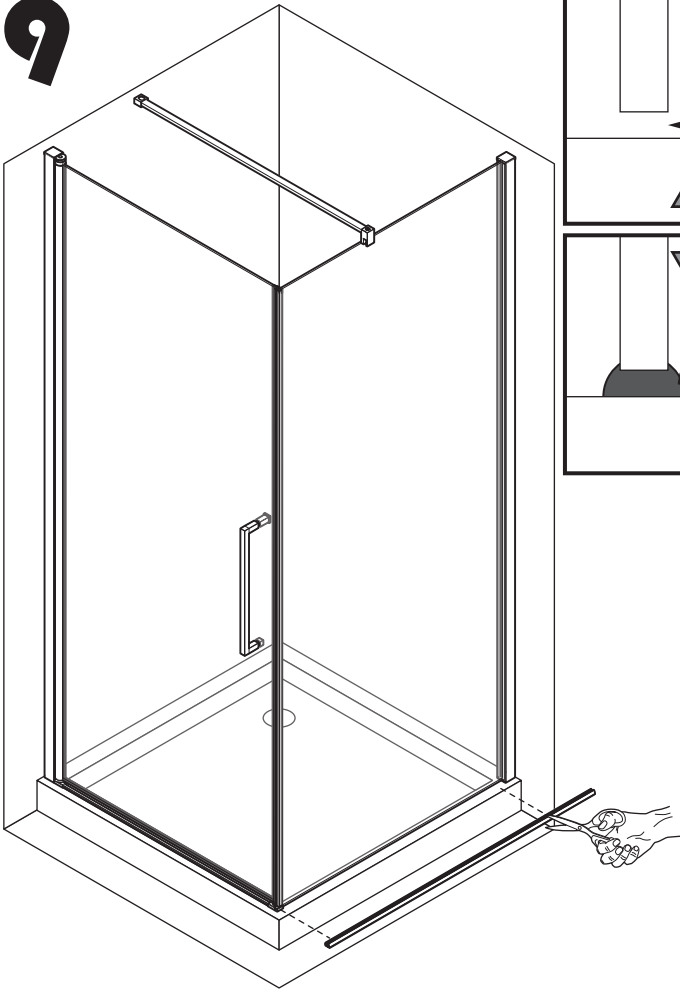
# 17



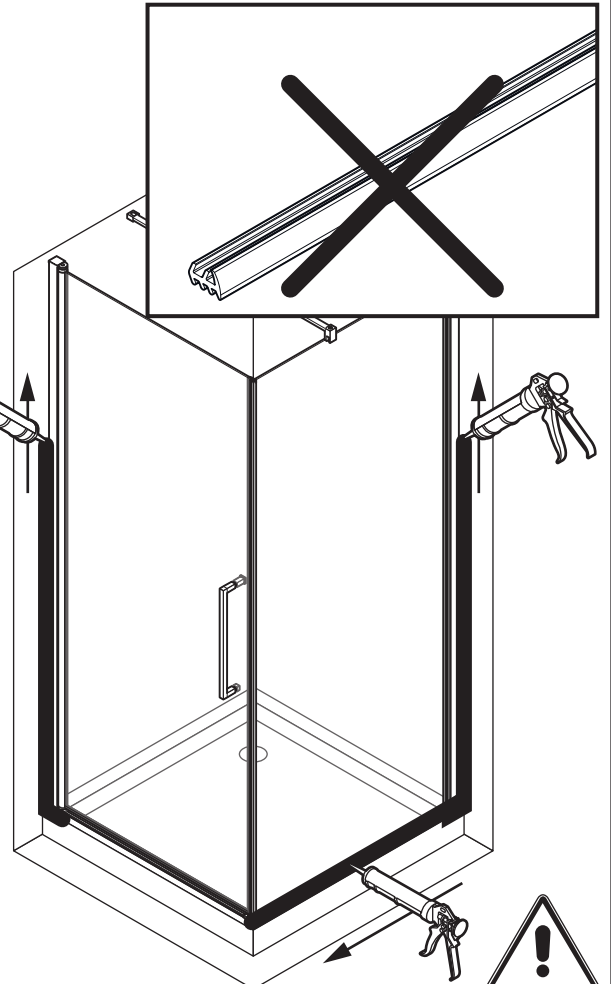
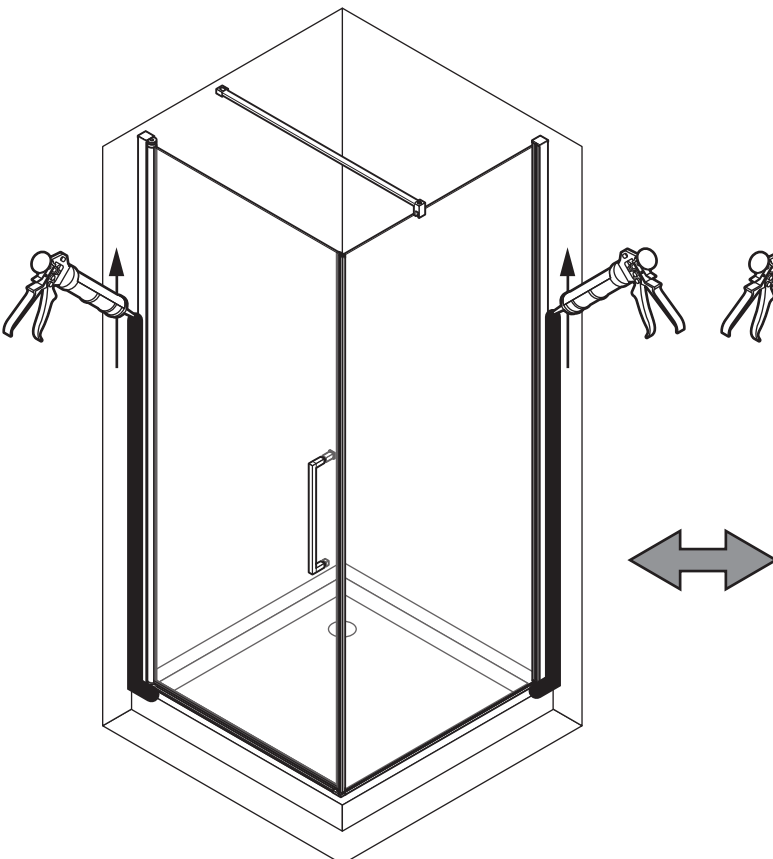
# 18

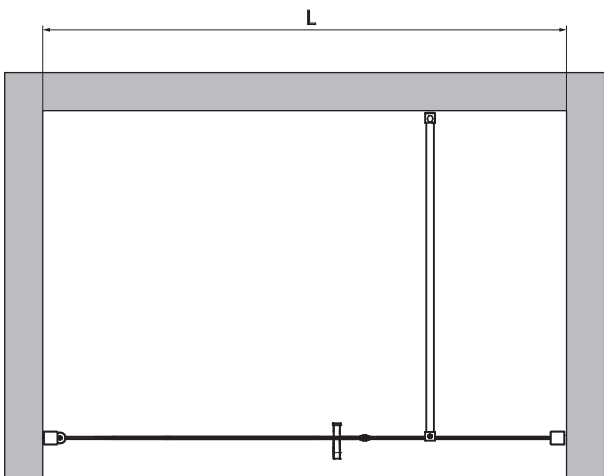
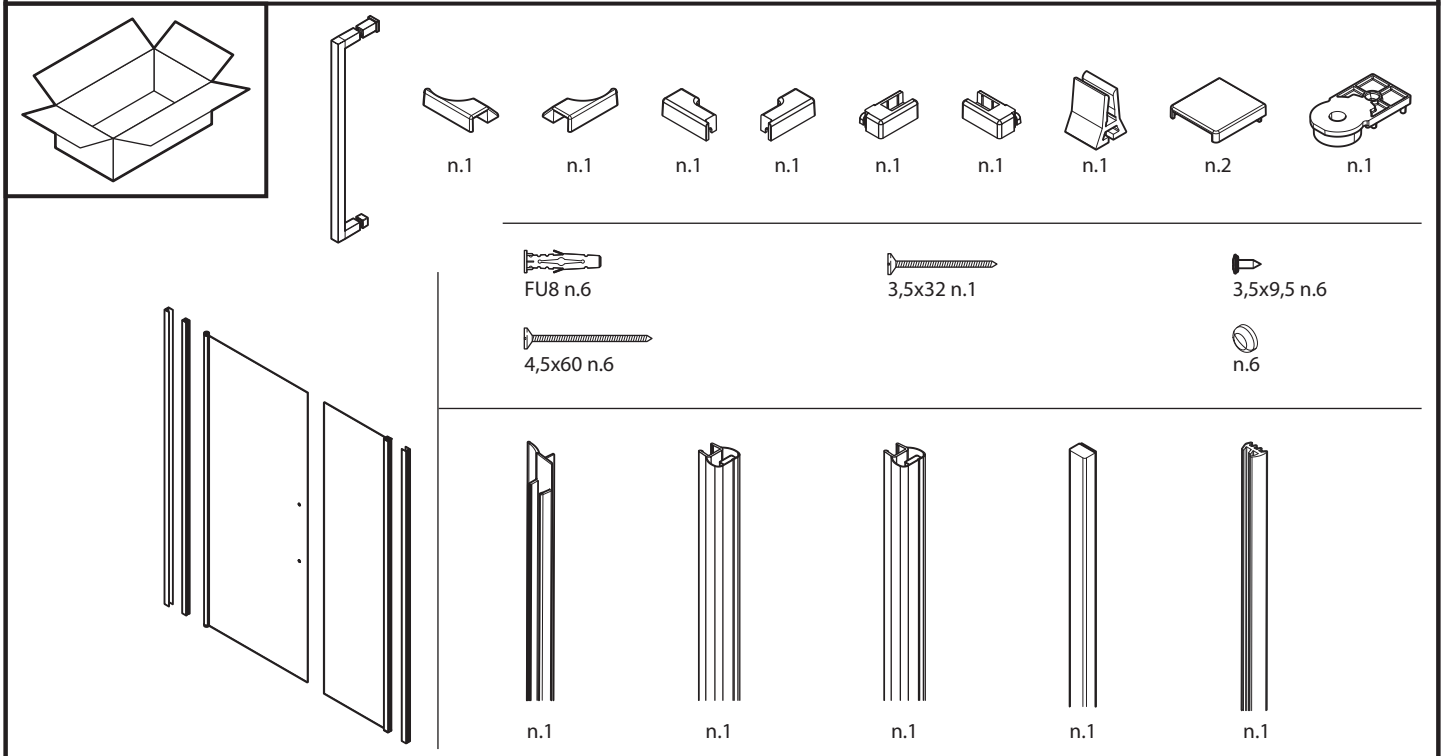
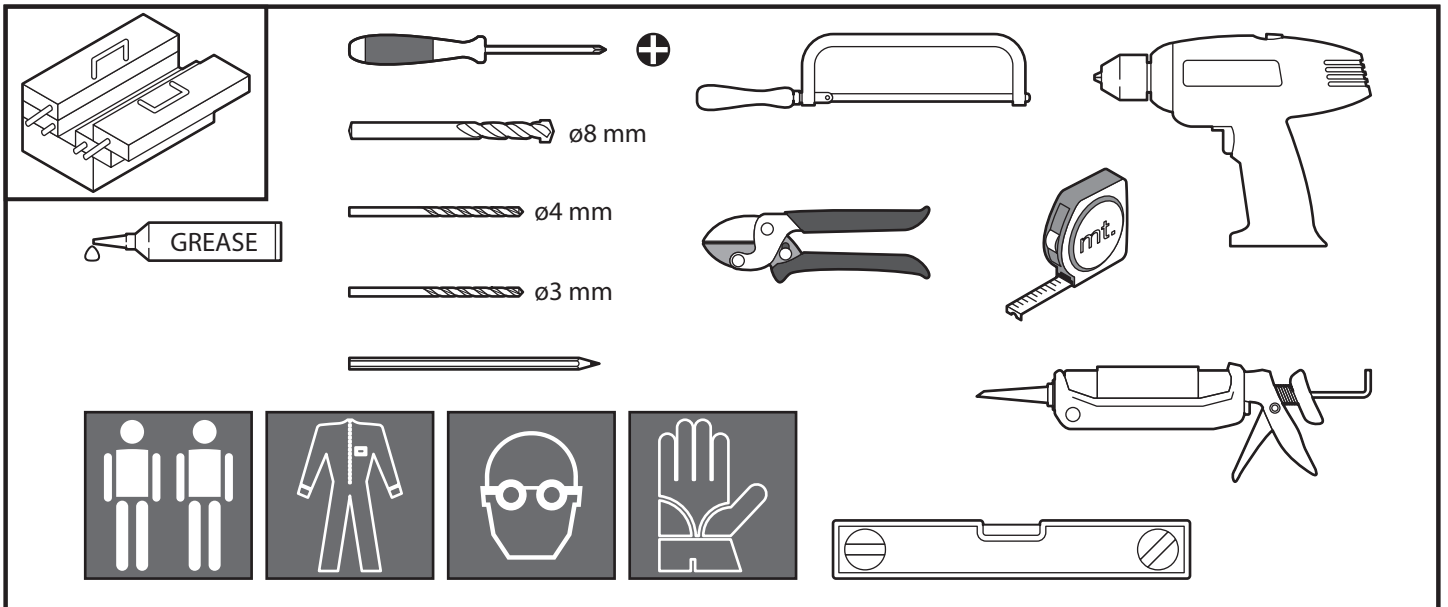


# 19

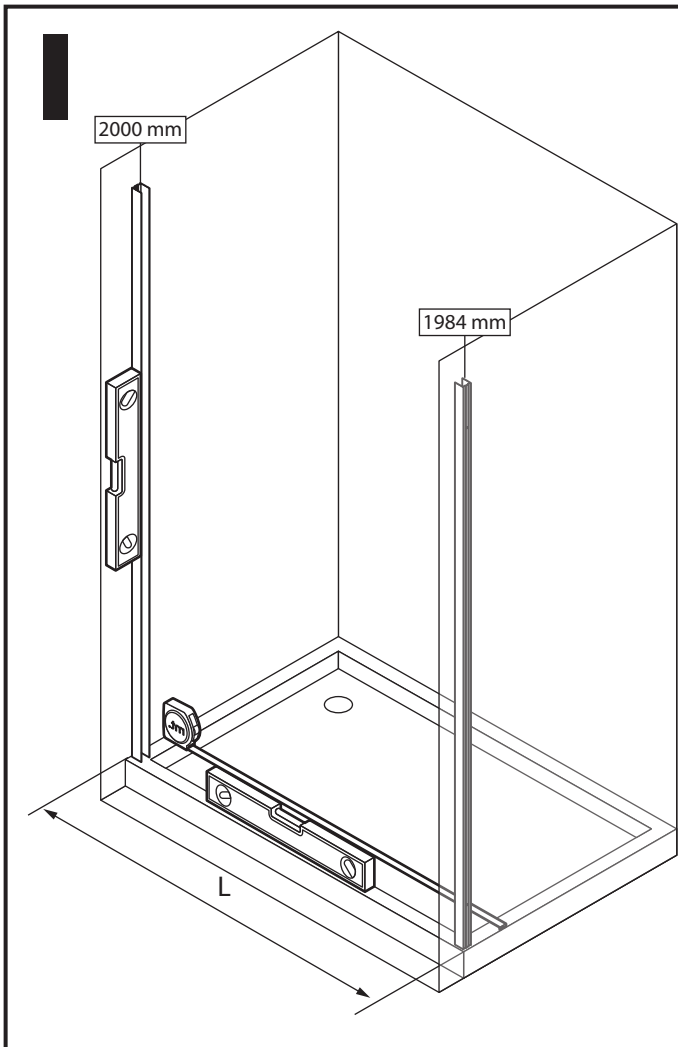


# 20

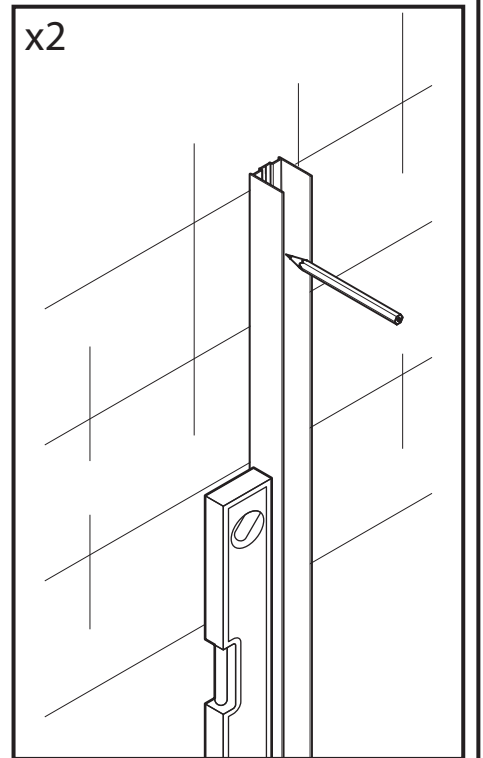
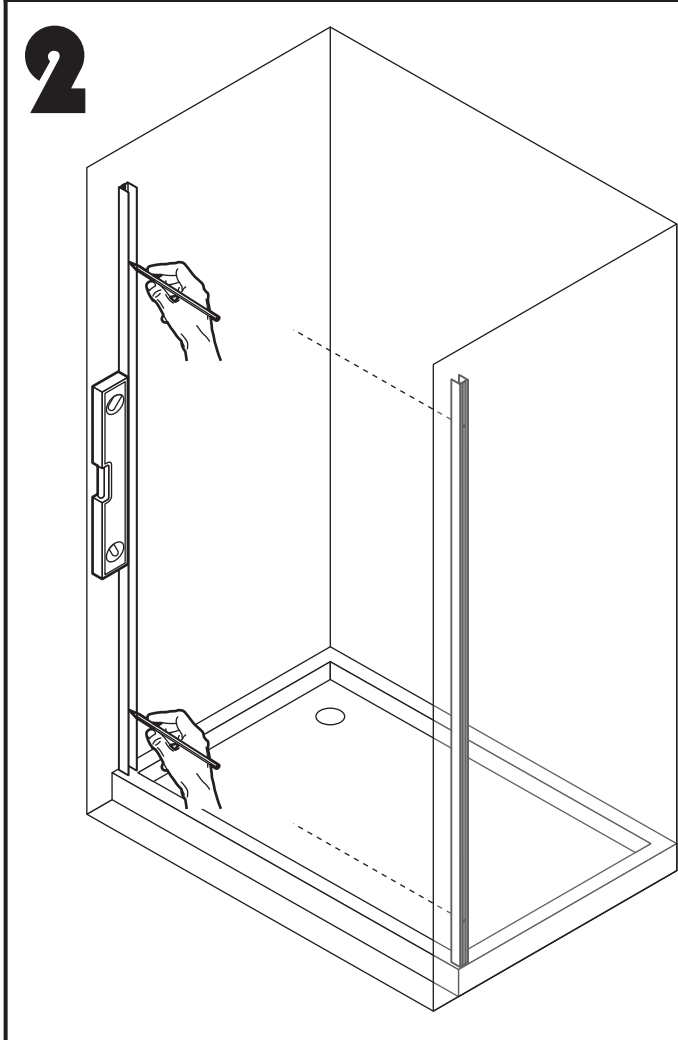
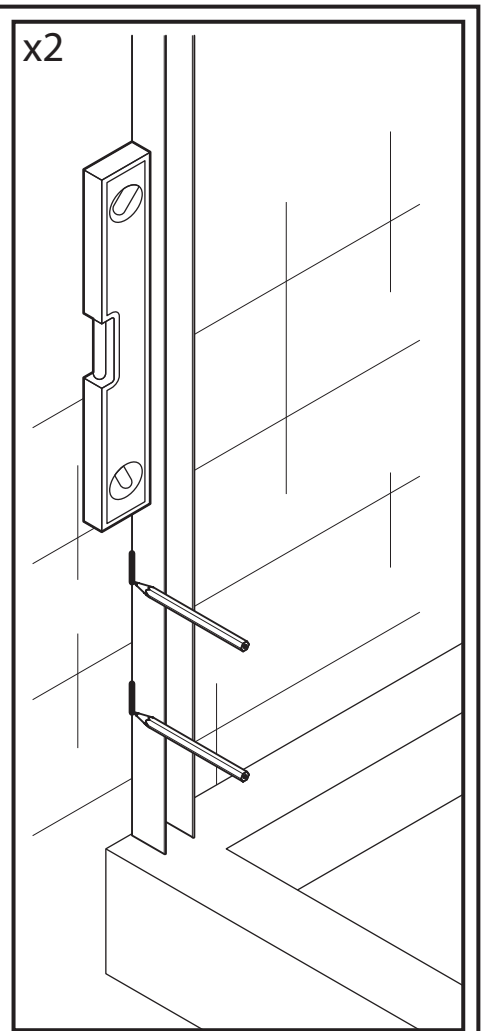




GFL97	L=97-101 cm
GFL107	L=107-111 cm
GFL114	L=114-118 cm
GFL117	L=117-121 cm
GFL134	L=134-138 cm
GFL137	L=137-141 cm
GFL147	L=147-151 cm
GFL154	L=154-158 cm
GFL157	L=157-161 cm
GFL164	L=164-168 cm
GFL167	L=167-171 cm
GFL177	L=177-181cm



GFL97	L=97-101 cm
GFL107	L=107-111 cm
GFL114	L=114-118 cm
GFL117	L=117-121 cm
GFL134	L=134-138 cm
GFL137	L=137-141 cm
GFL147	L=147-151 cm
GFL154	L=154-158 cm
GFL157	L=157-161 cm
GFL164	L=164-168 cm
GFL167	L=167-171 cm
GFL177	L=177-181 cm

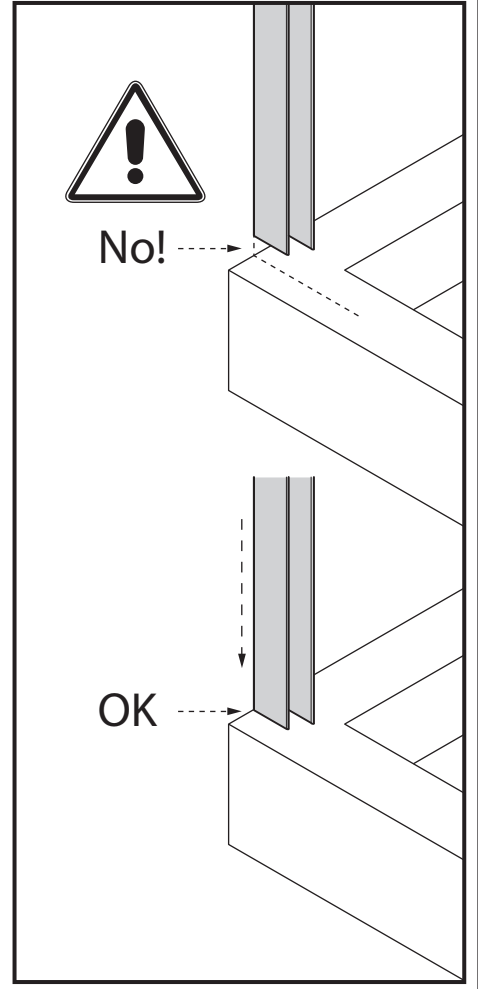
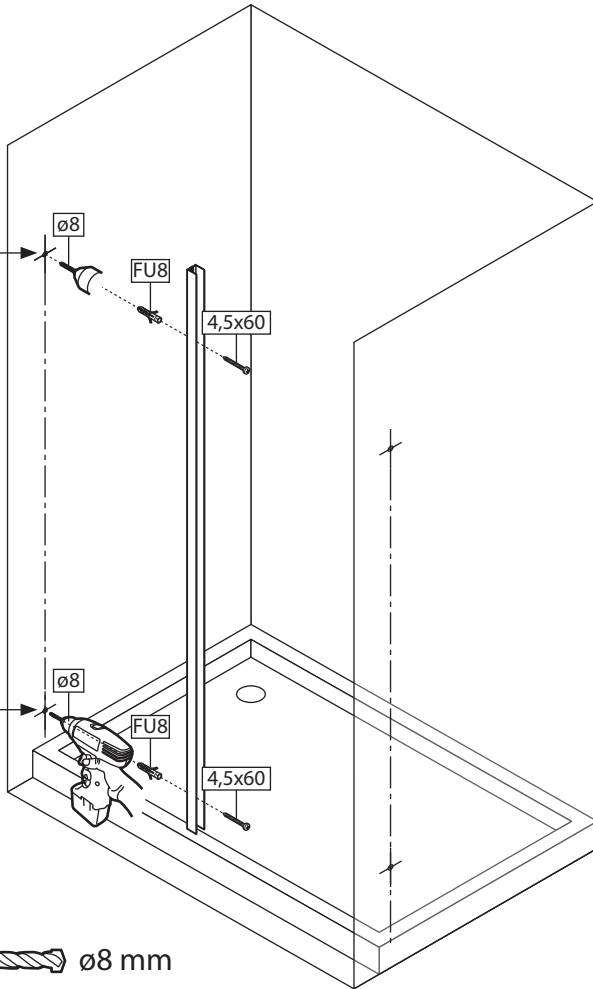


# 3

## 2°

## 1°

Ø8 mm

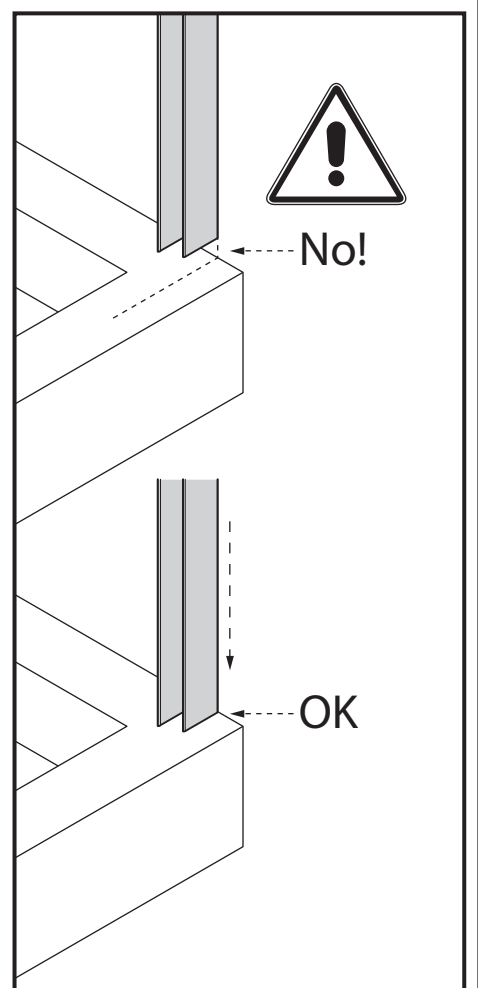
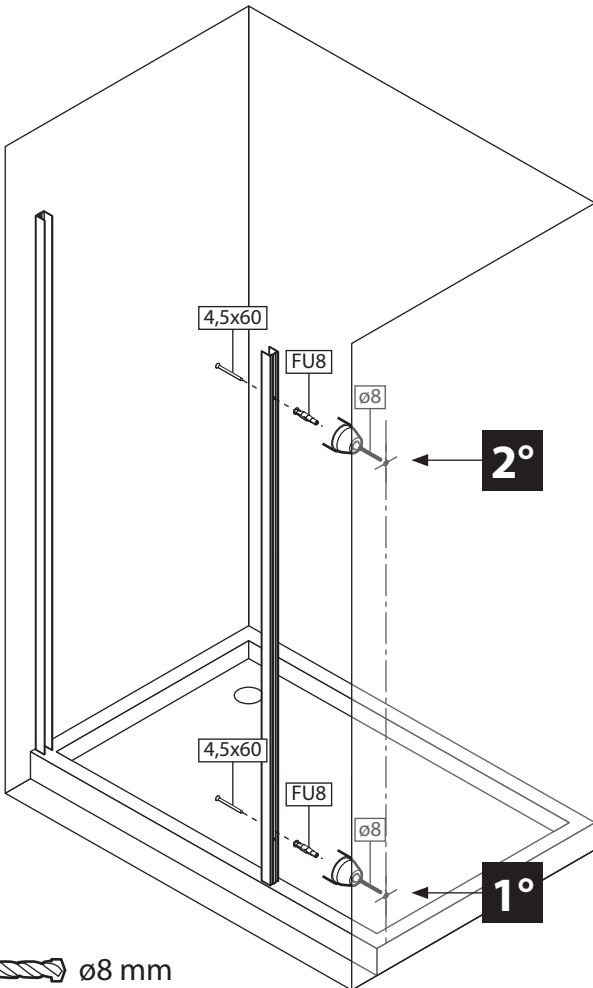


# 4

## 2°

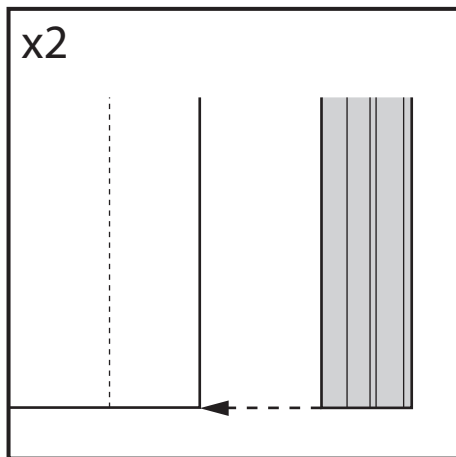
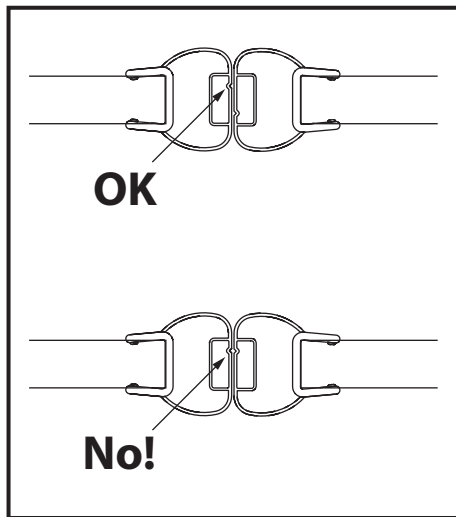
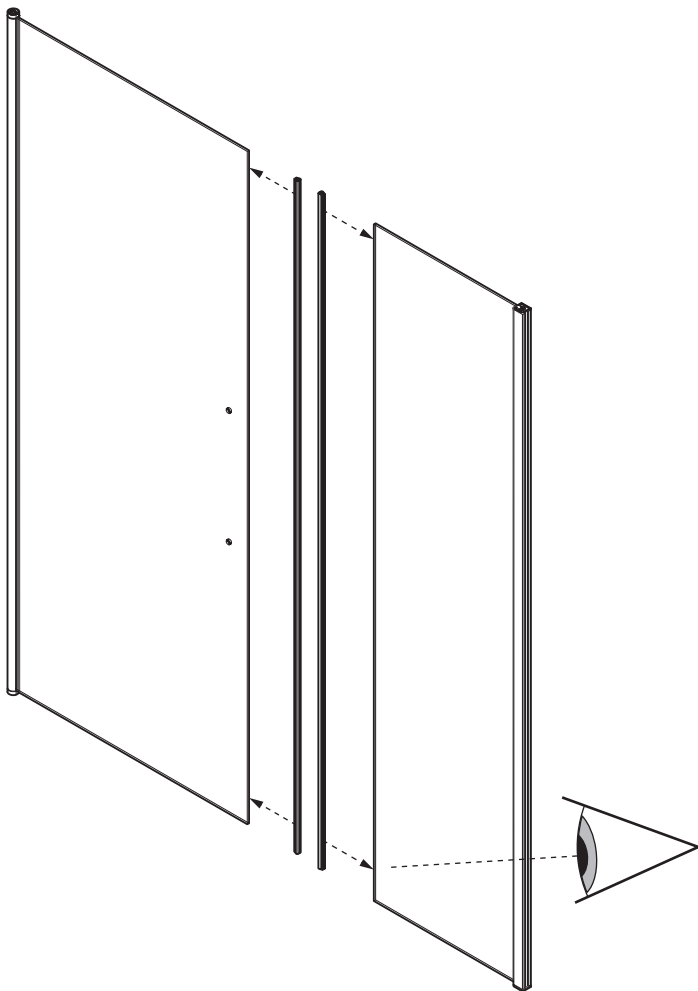
## 1°

Ø8 mm

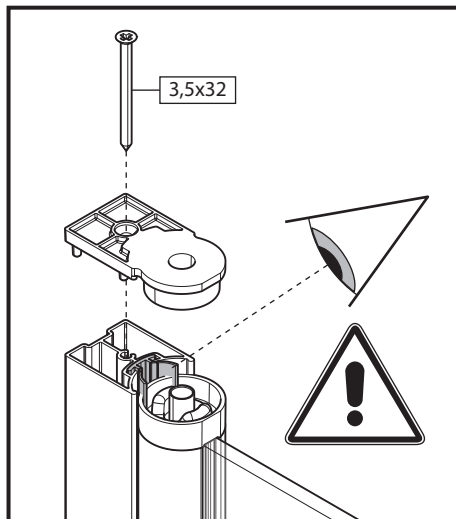
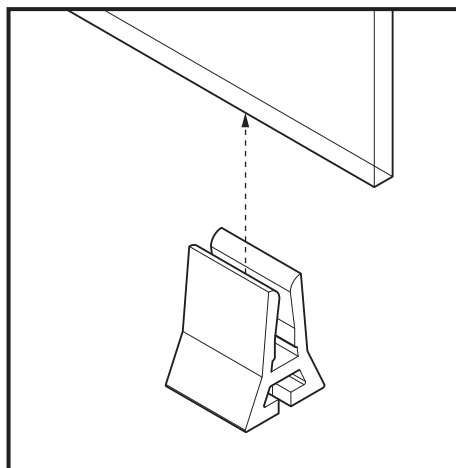
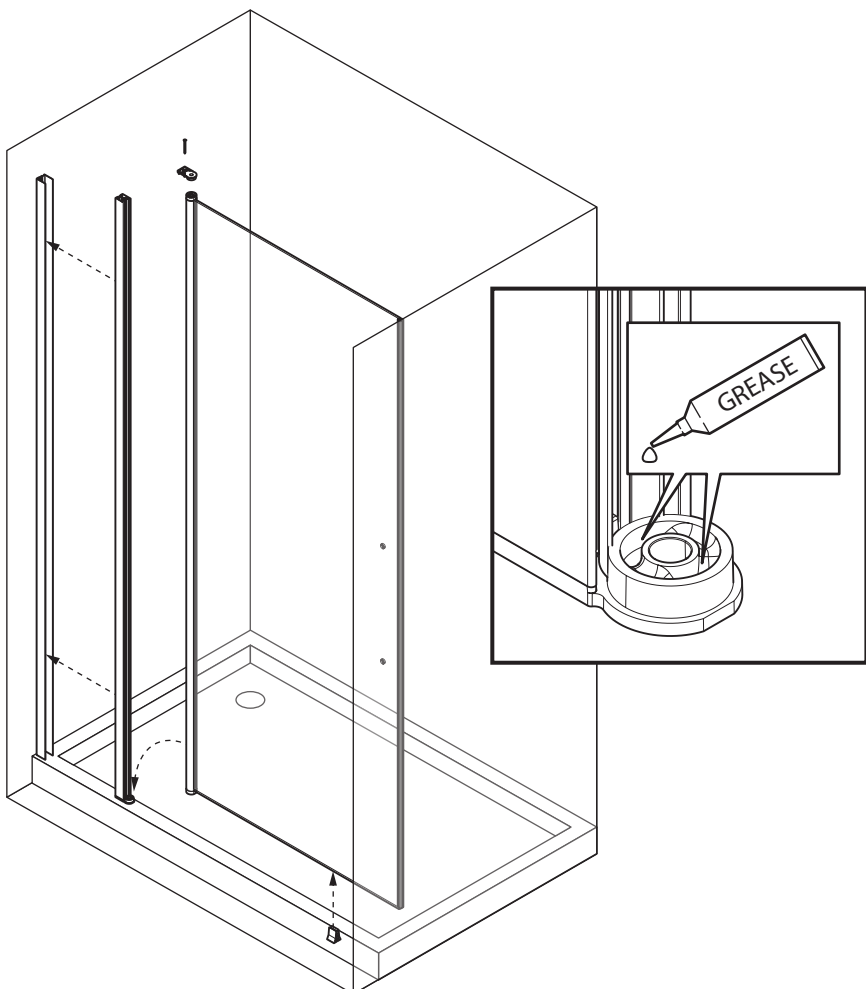




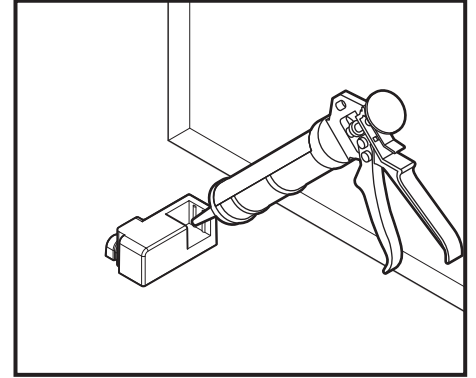
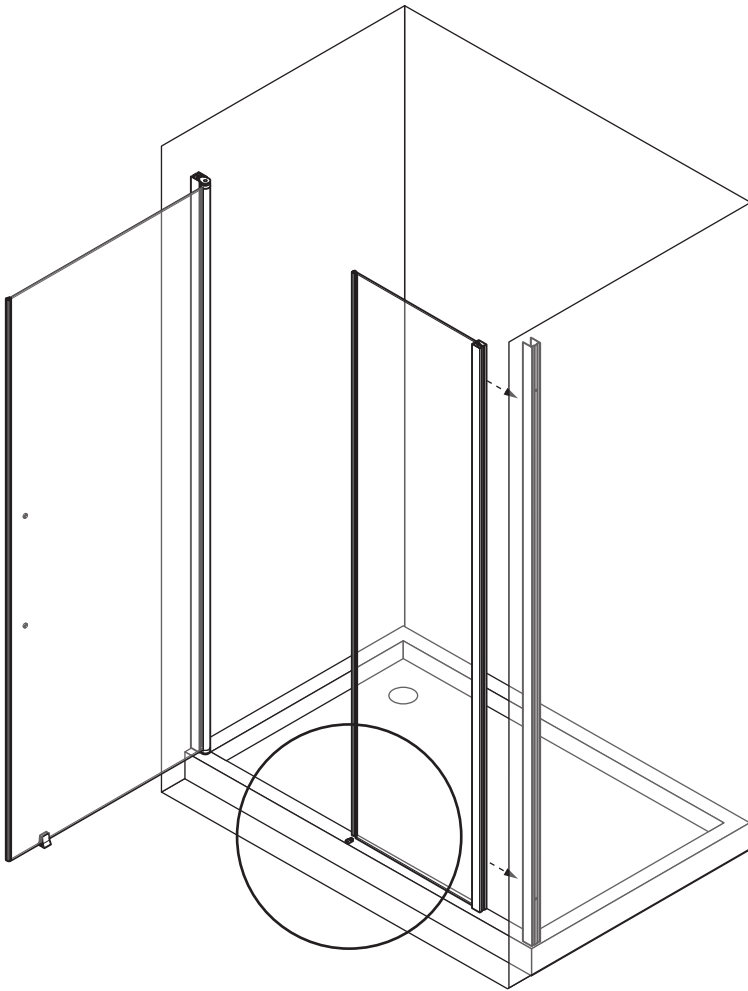
**5**



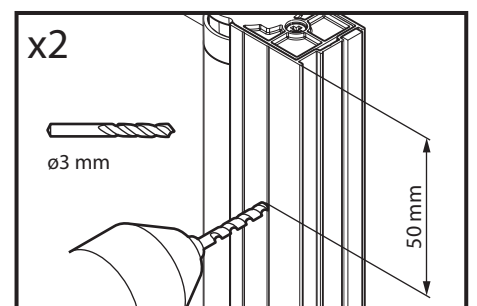
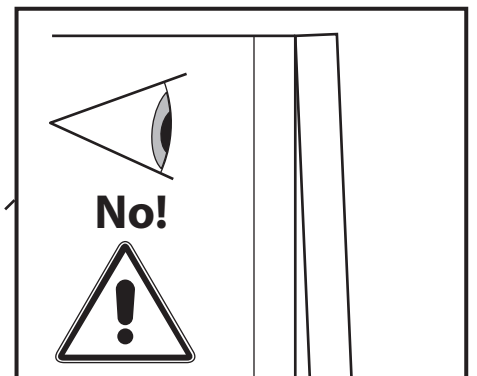
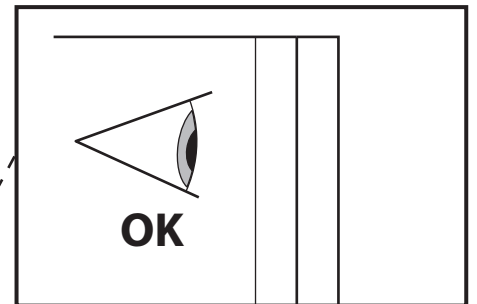
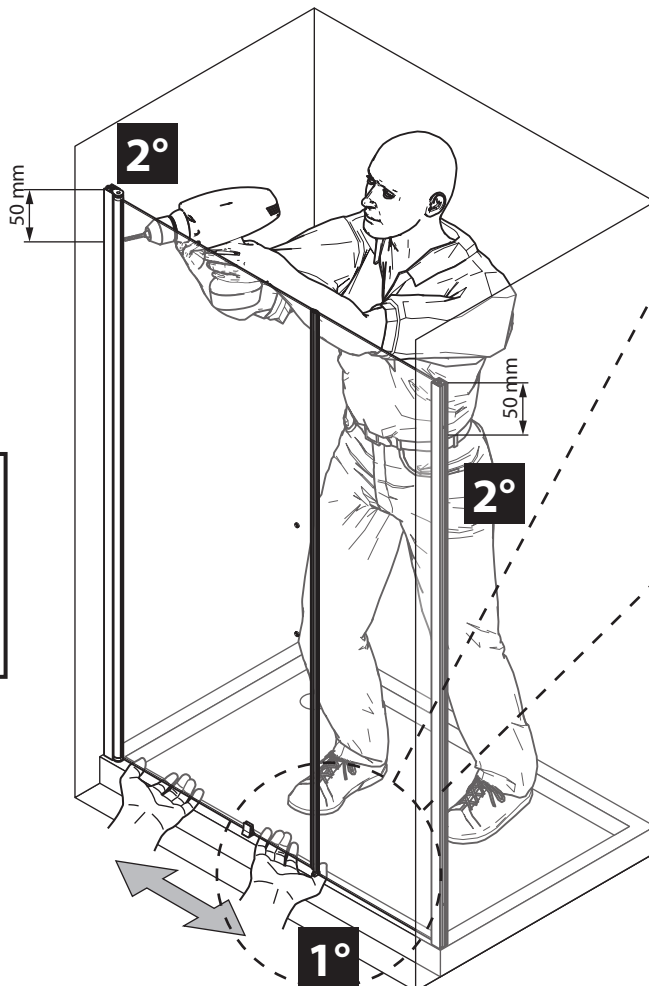
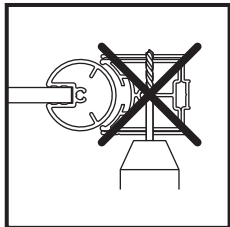
**6**



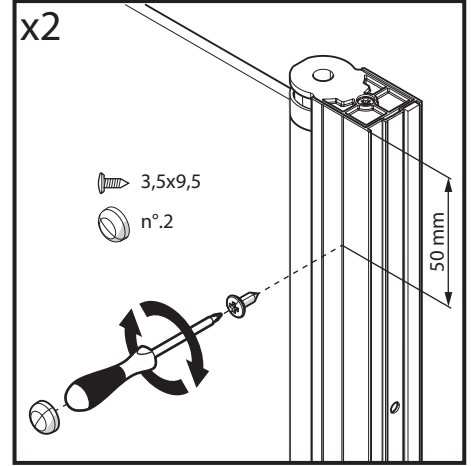
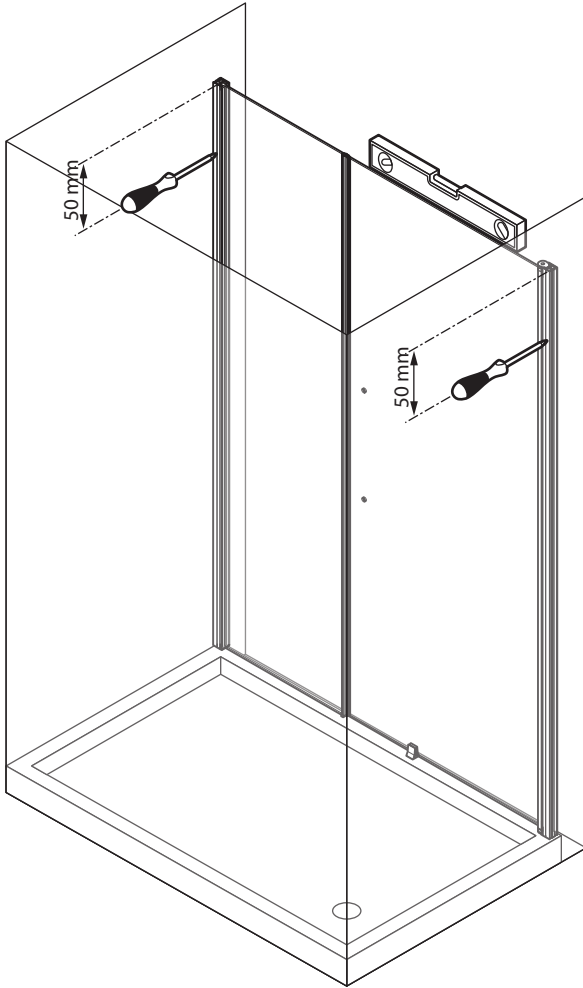
# 7



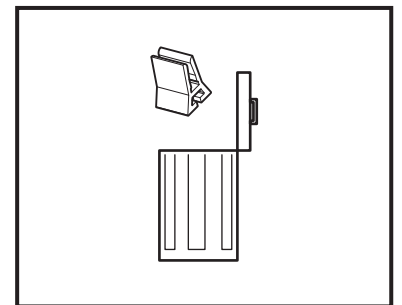
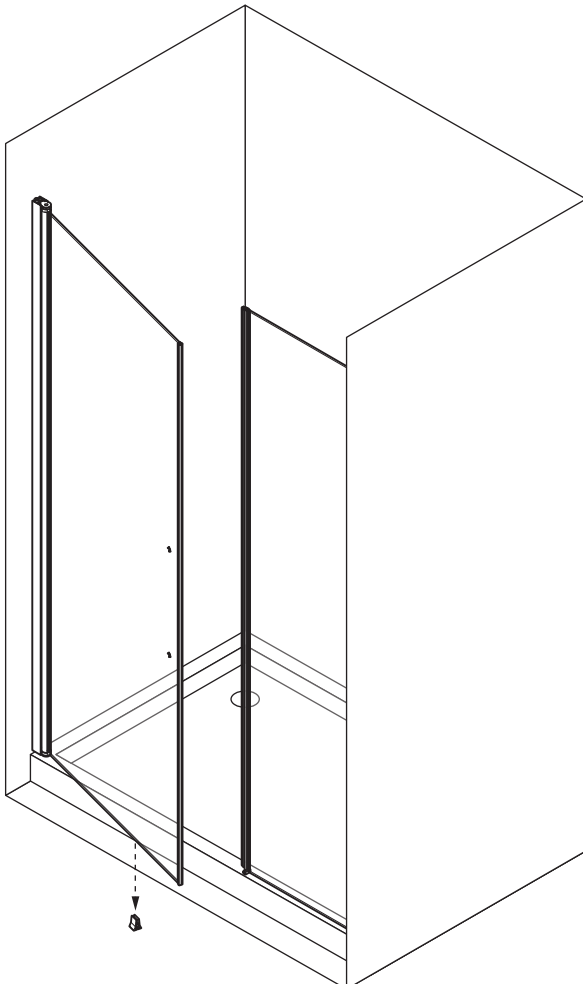
# 8

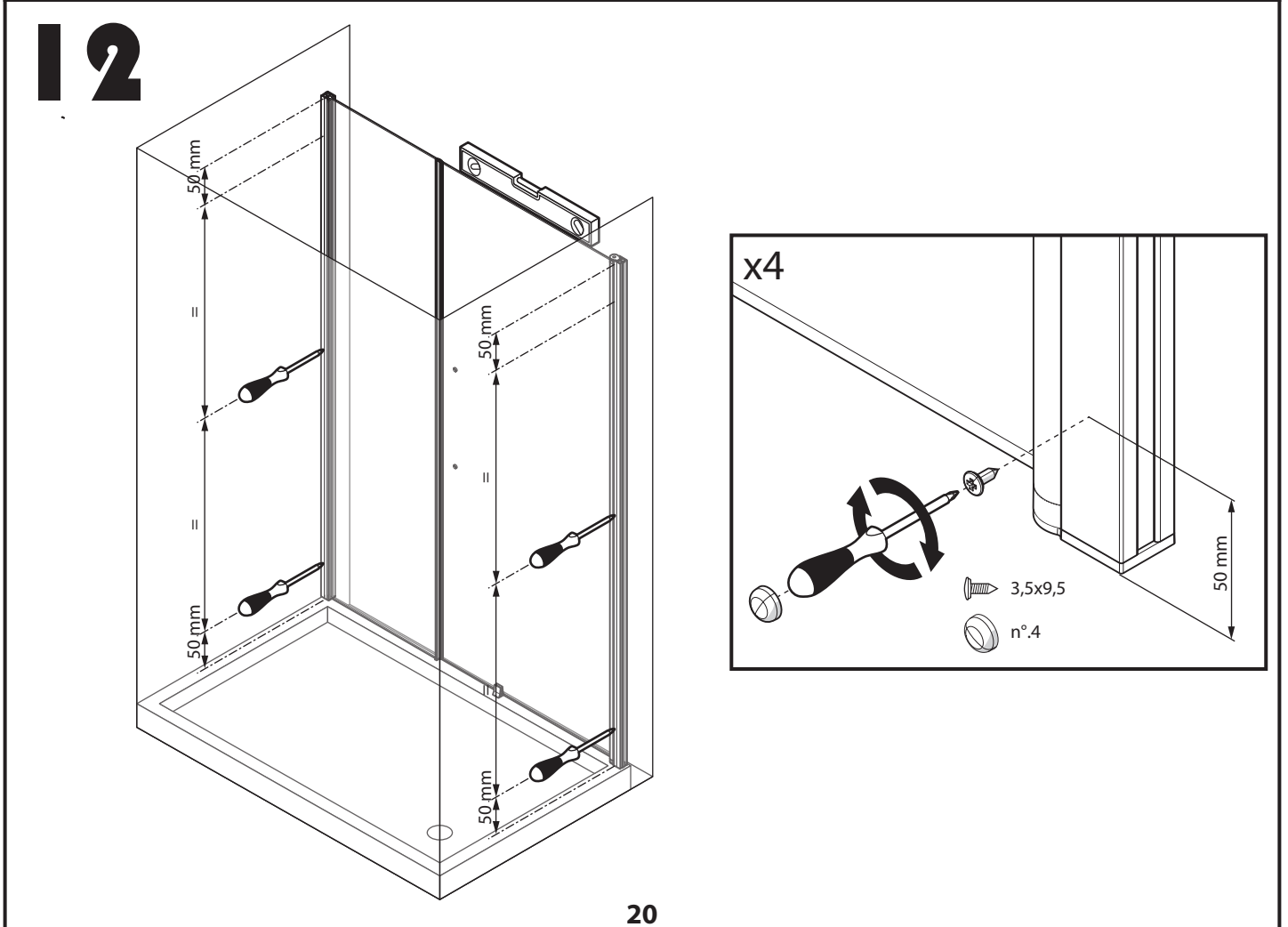
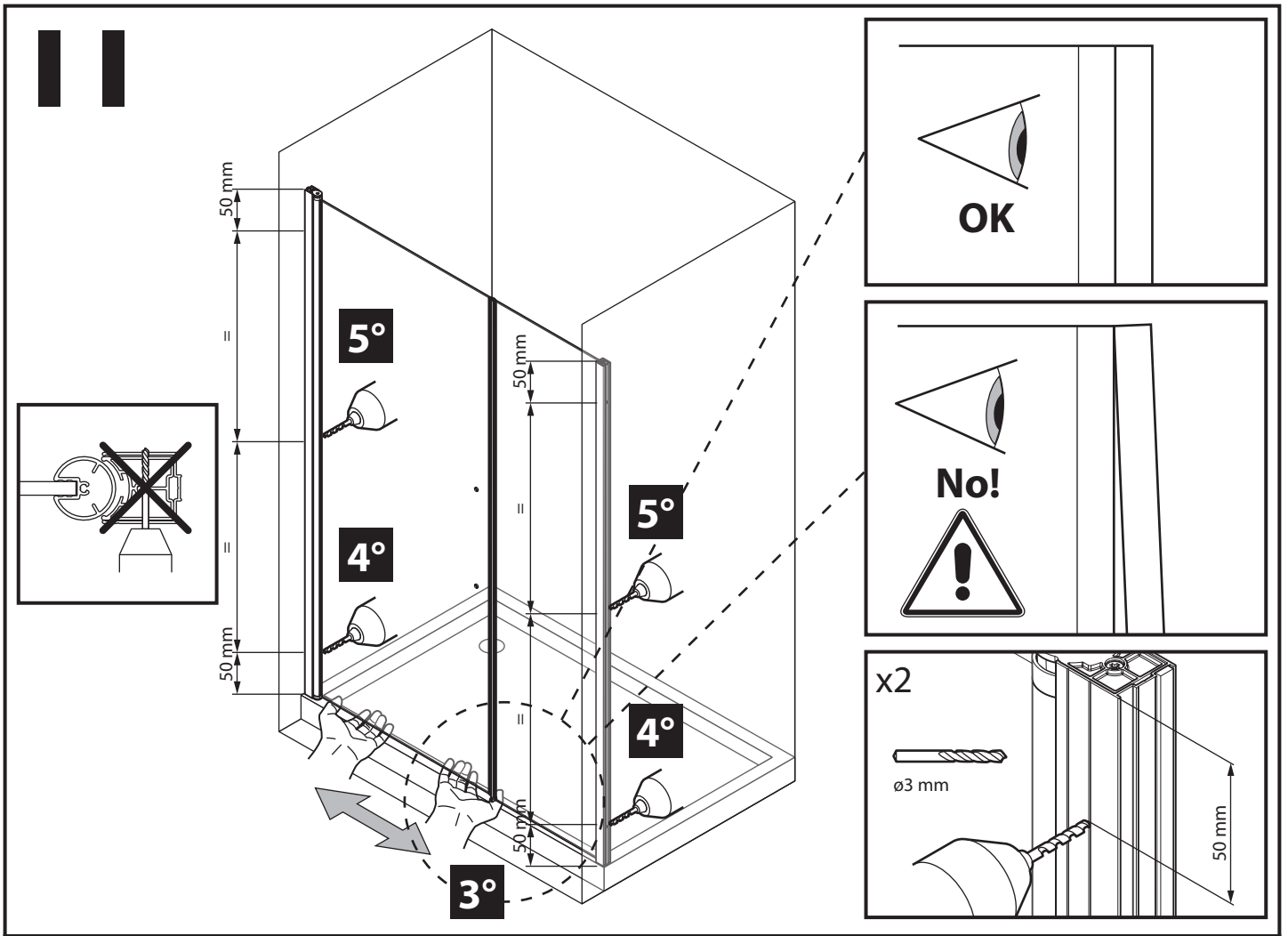


# 9



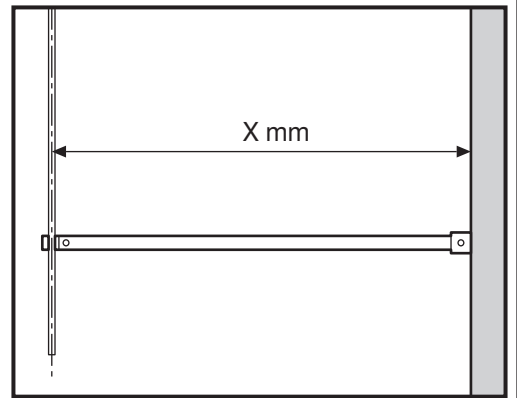
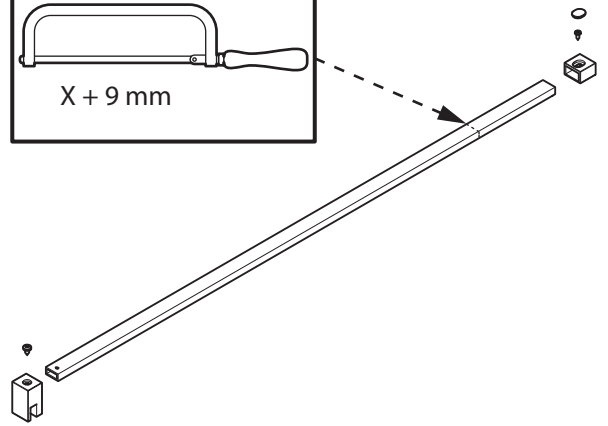
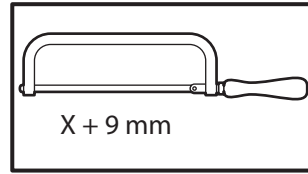
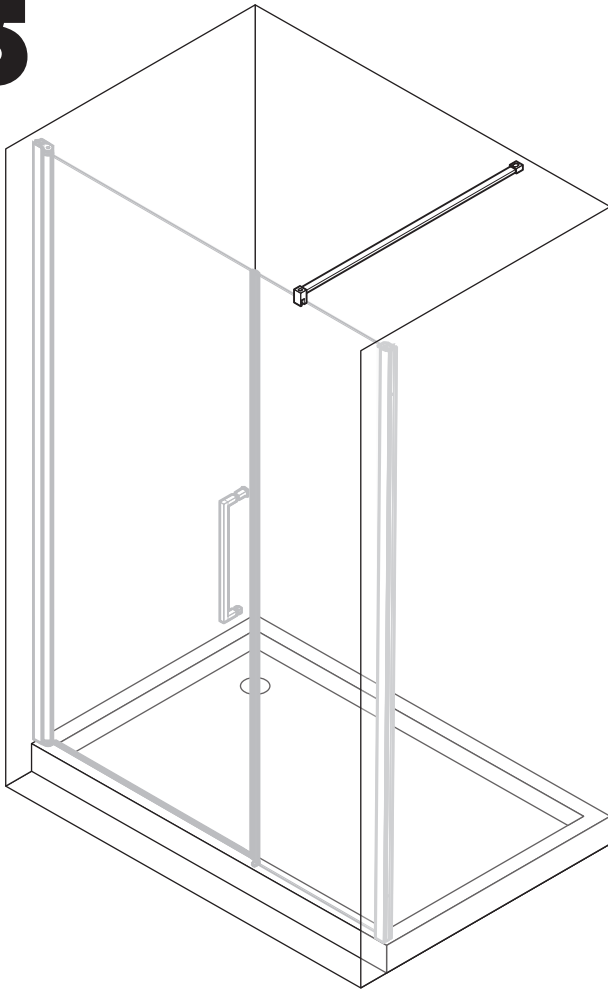
# 10



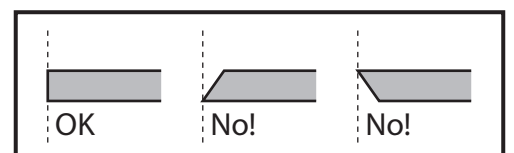
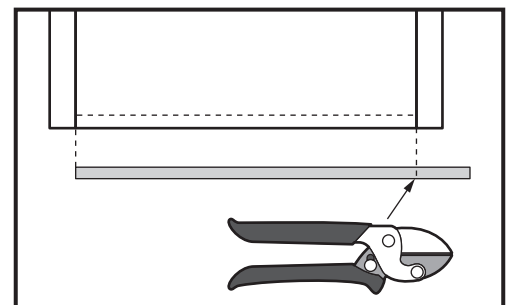
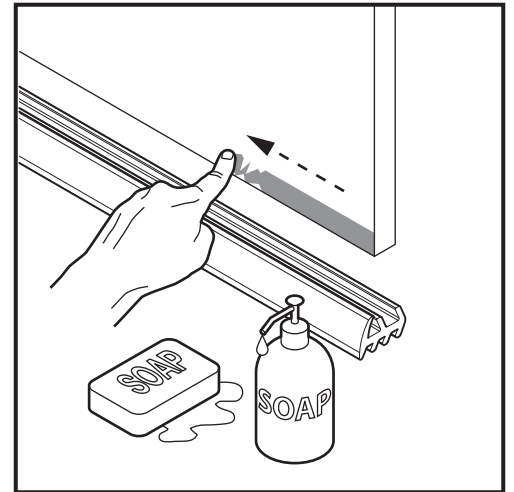
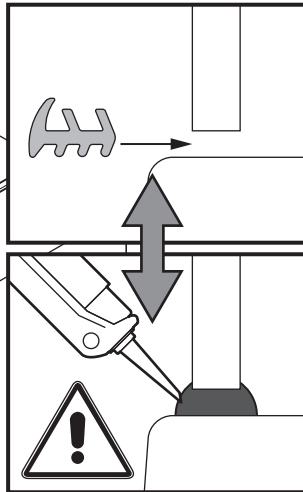
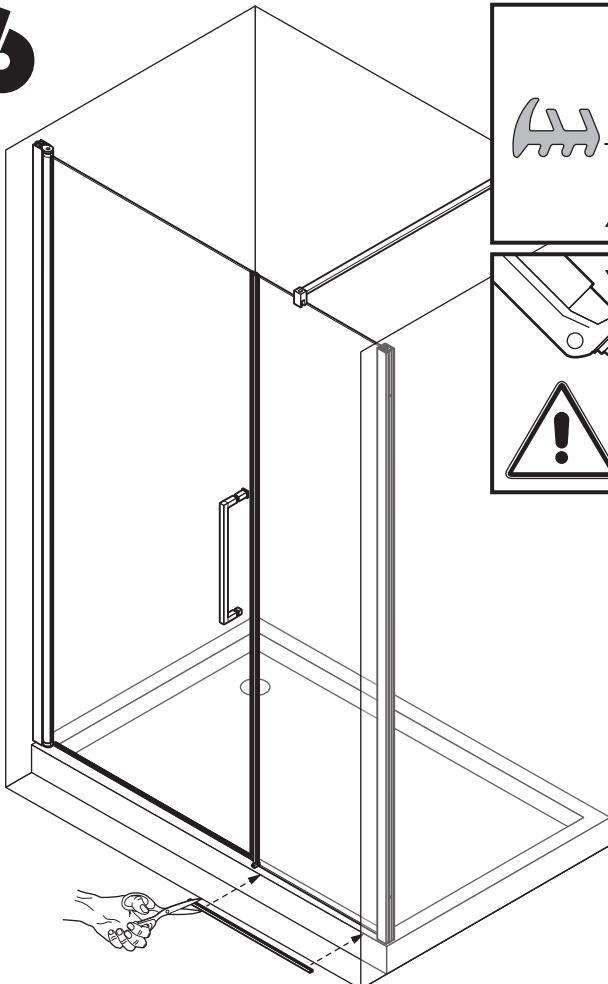




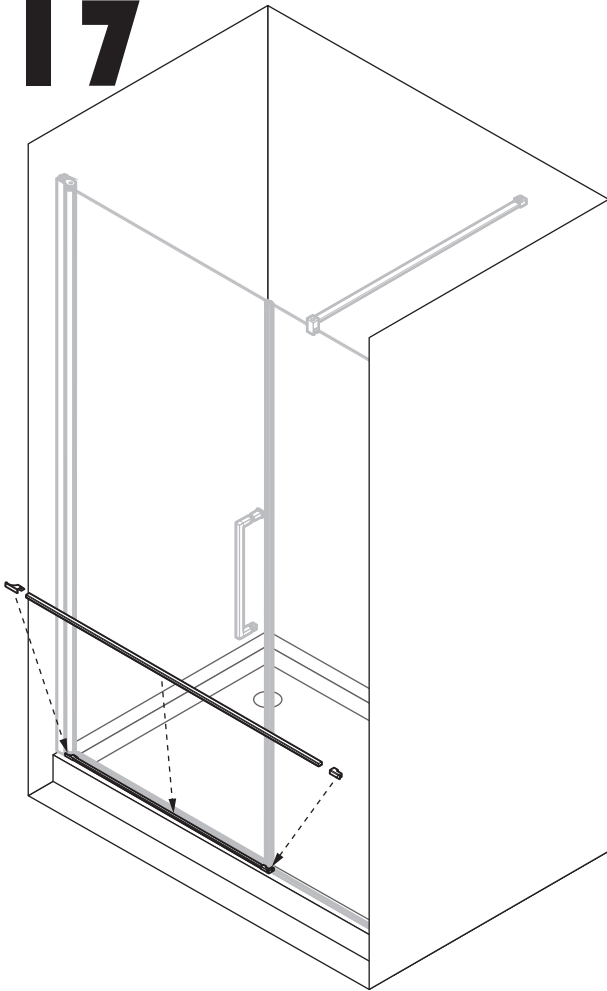
# 15



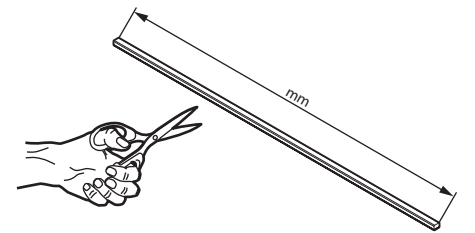
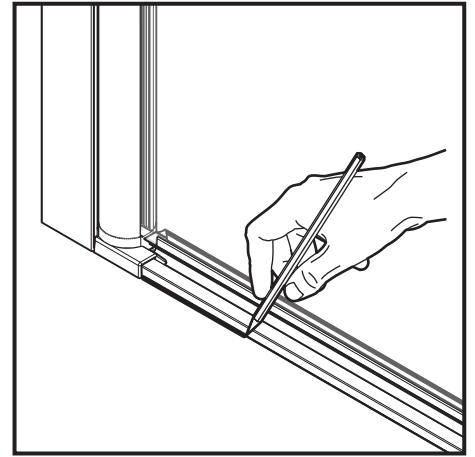
# 16



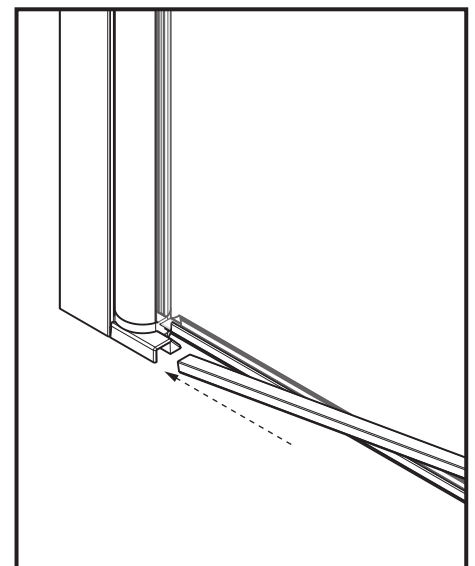
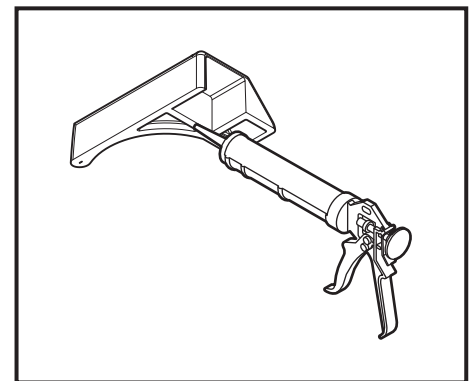
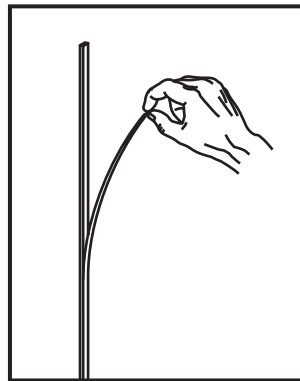
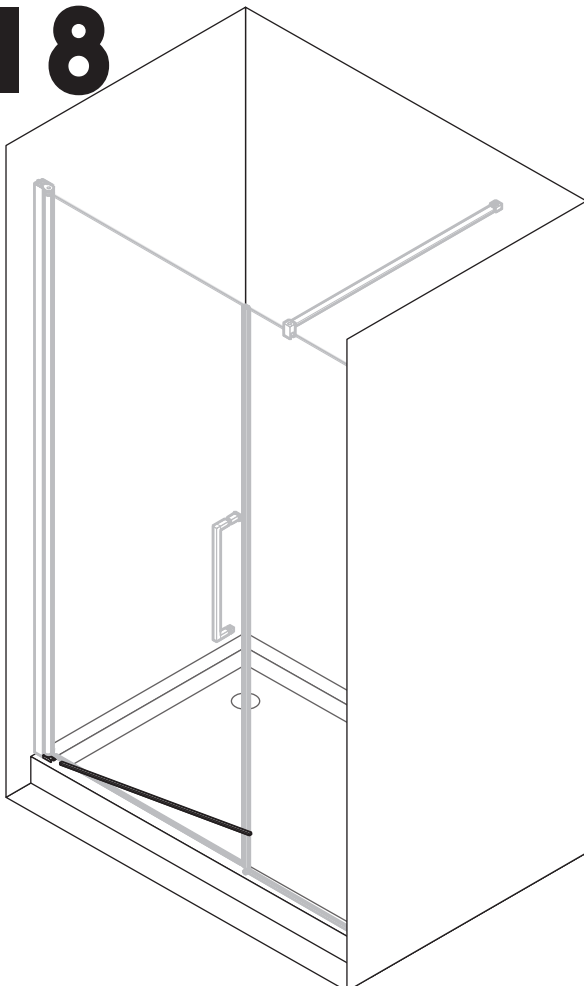
# 17



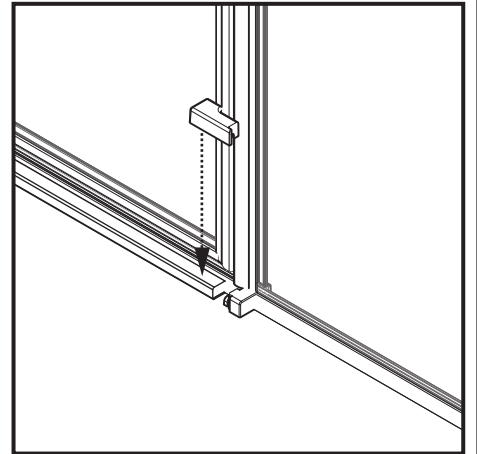
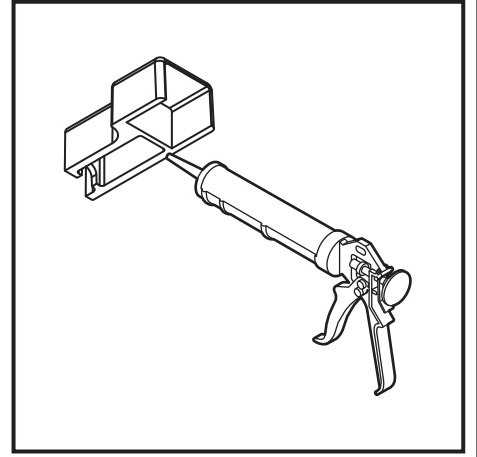
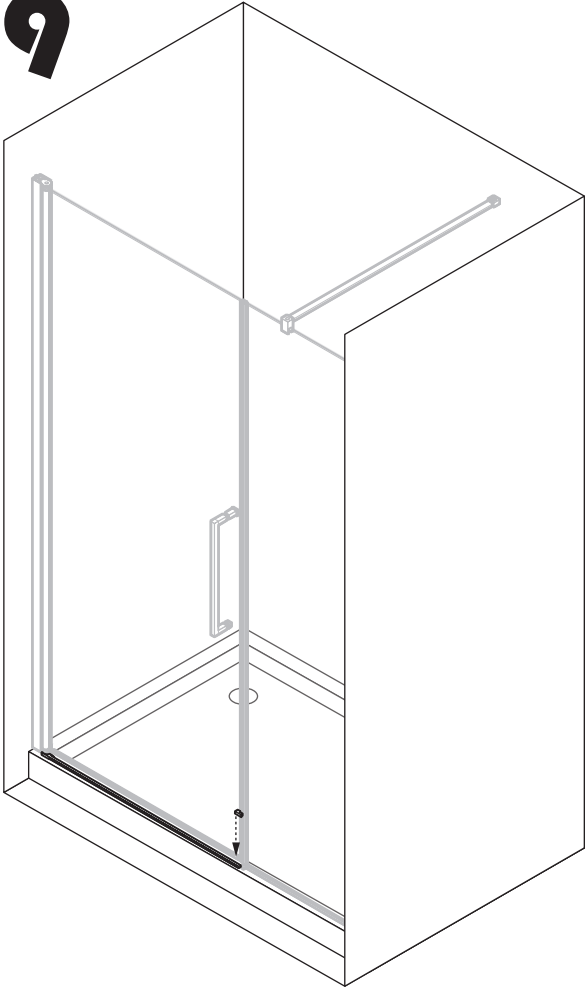
G+FL	mm (Est.-98mm)
97-101	572
107-111	572
114-118	642
117-121	672
134-138	772
137-141	772
147-151	872
154-158	872
157-161	872
164-168	872
167-171	872
177-181	872



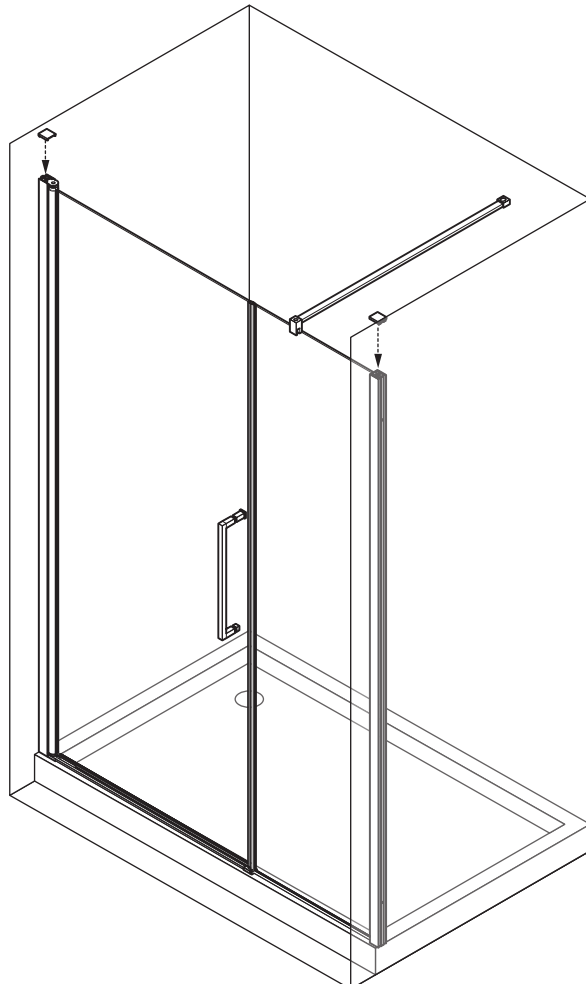
# 18



# 19



# 20





21

