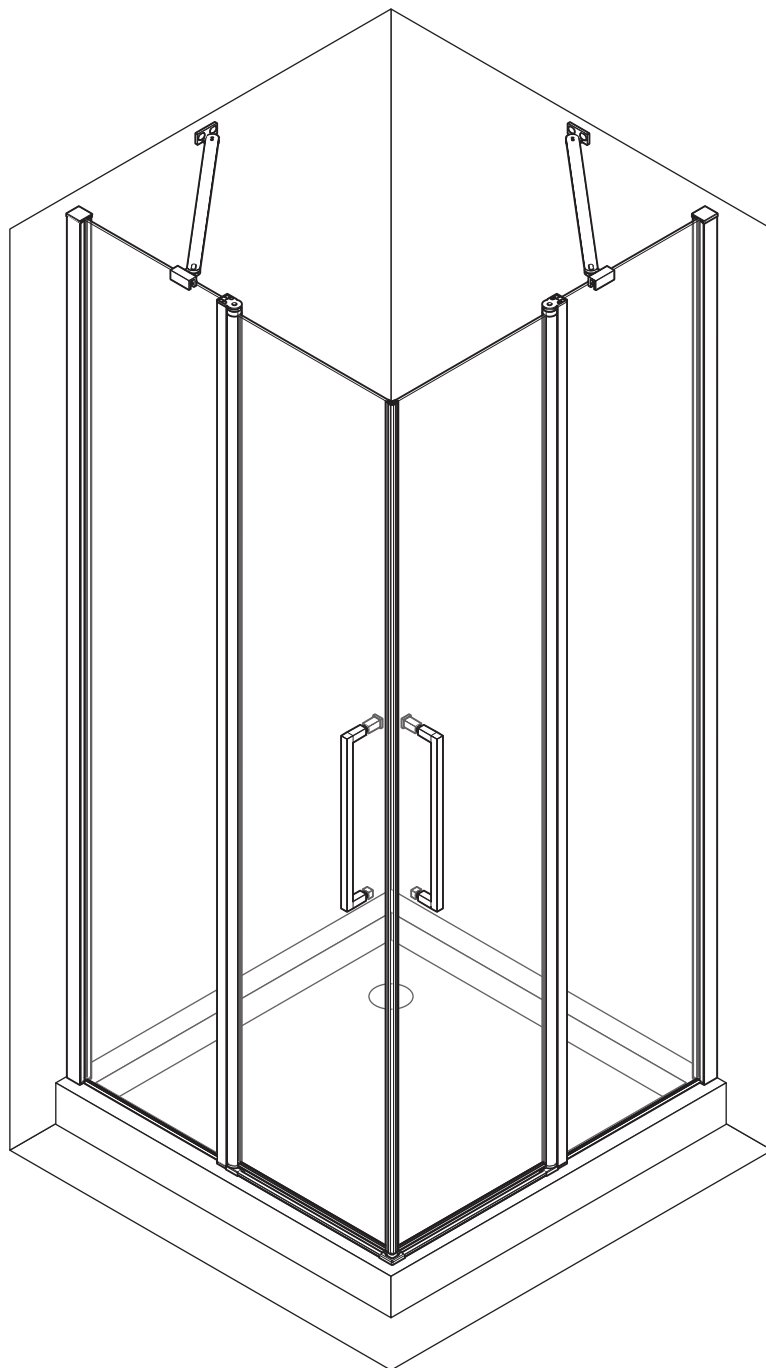
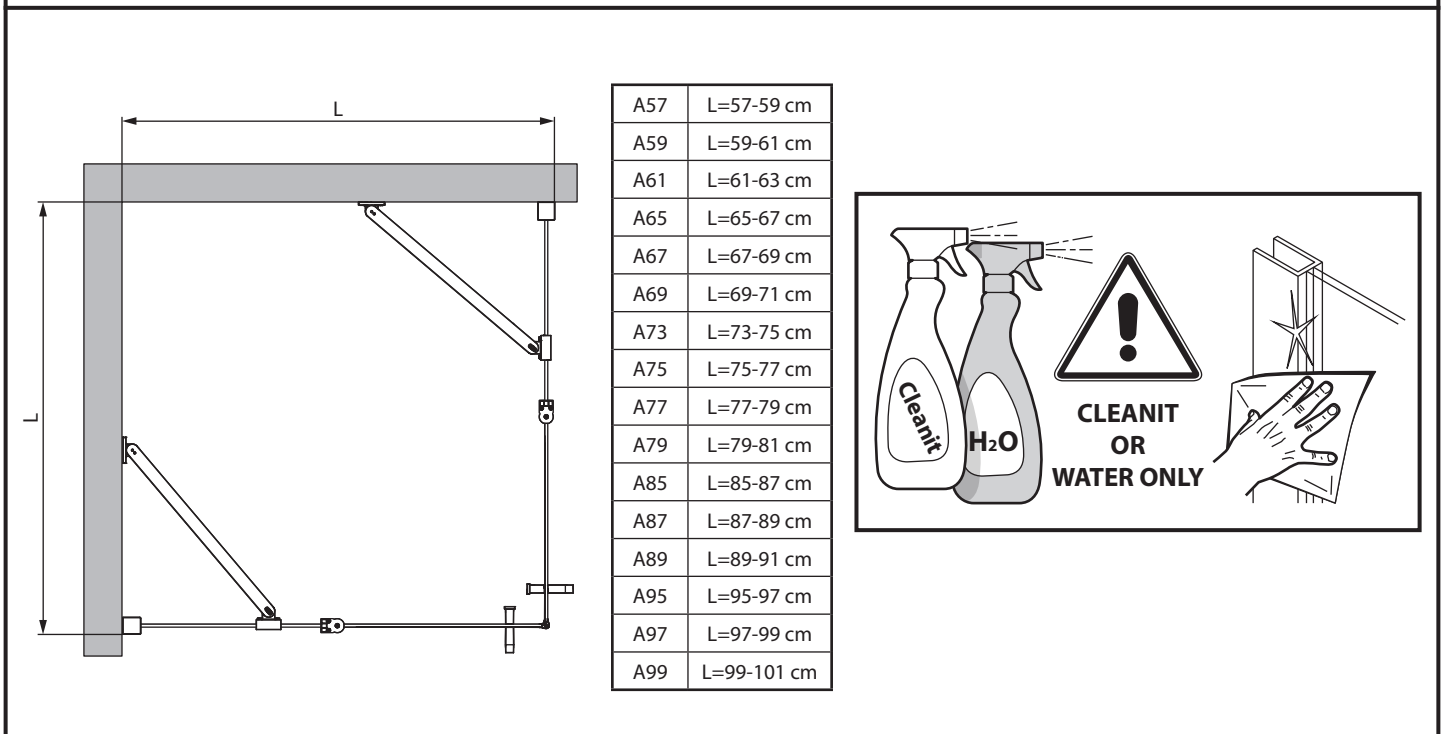
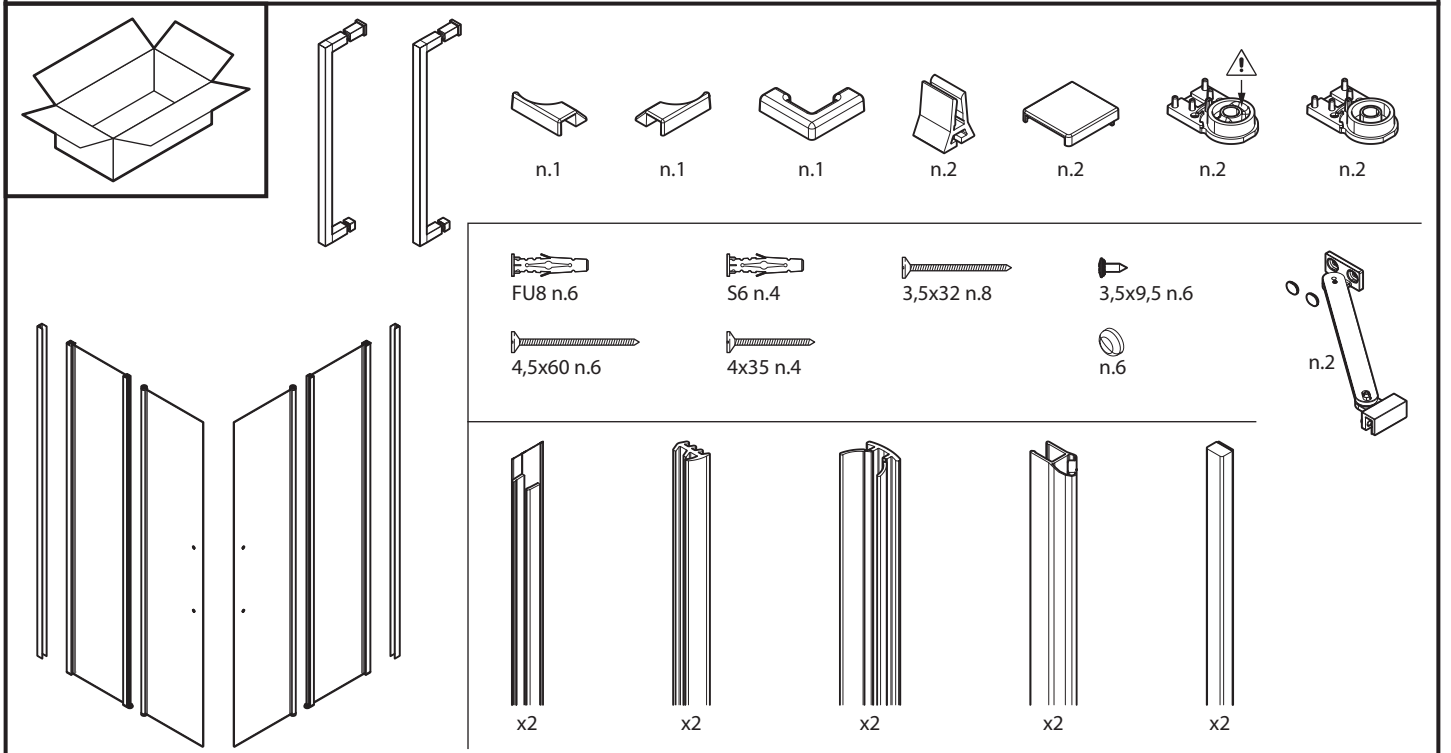
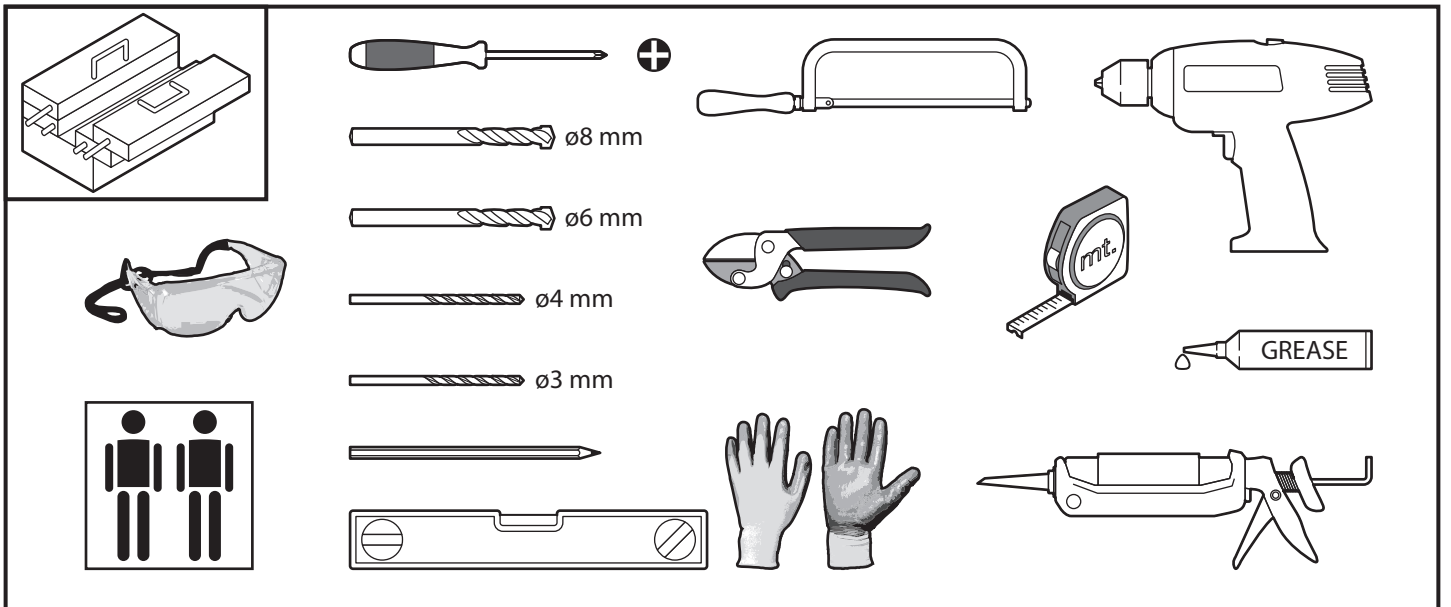
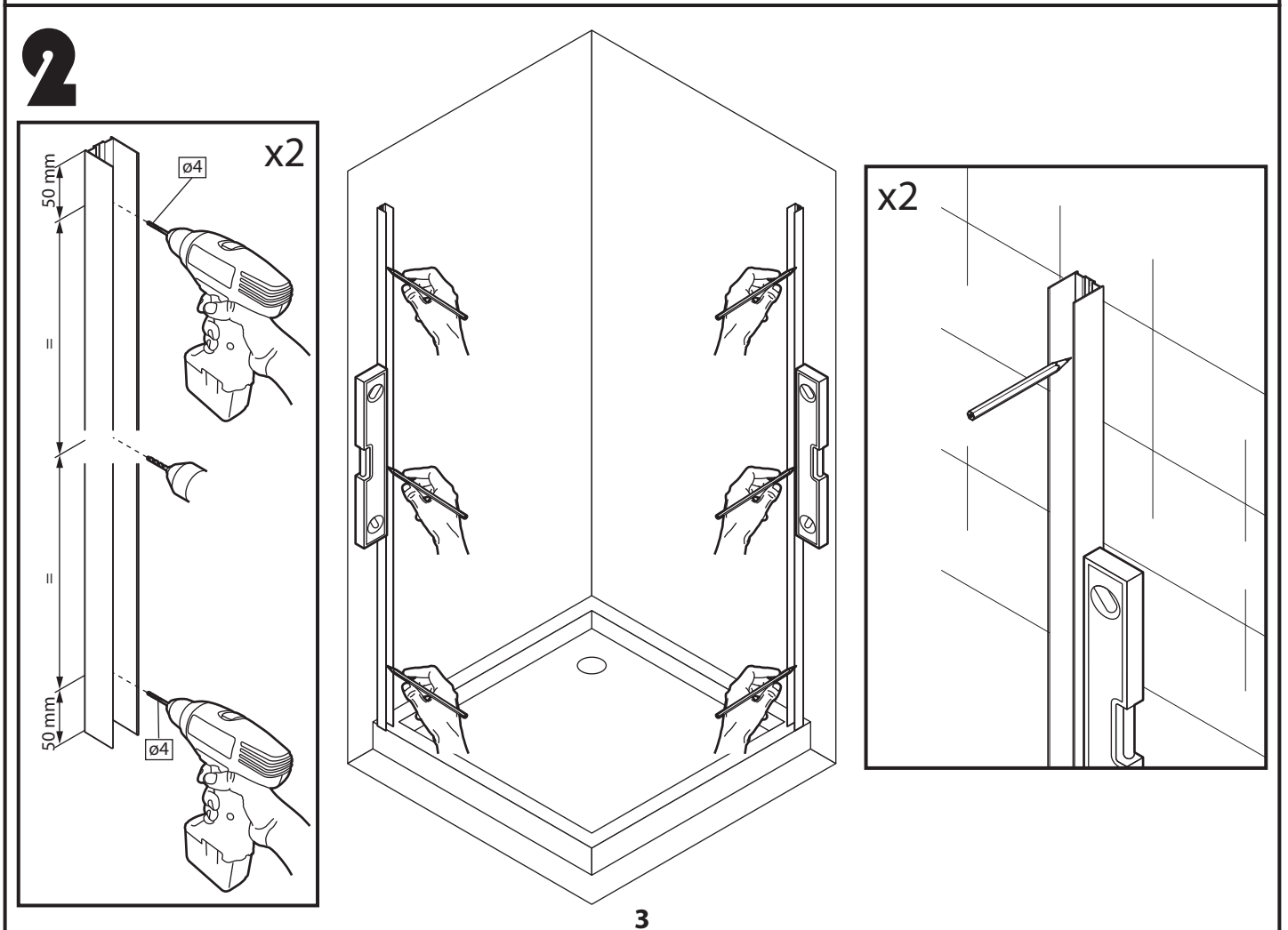
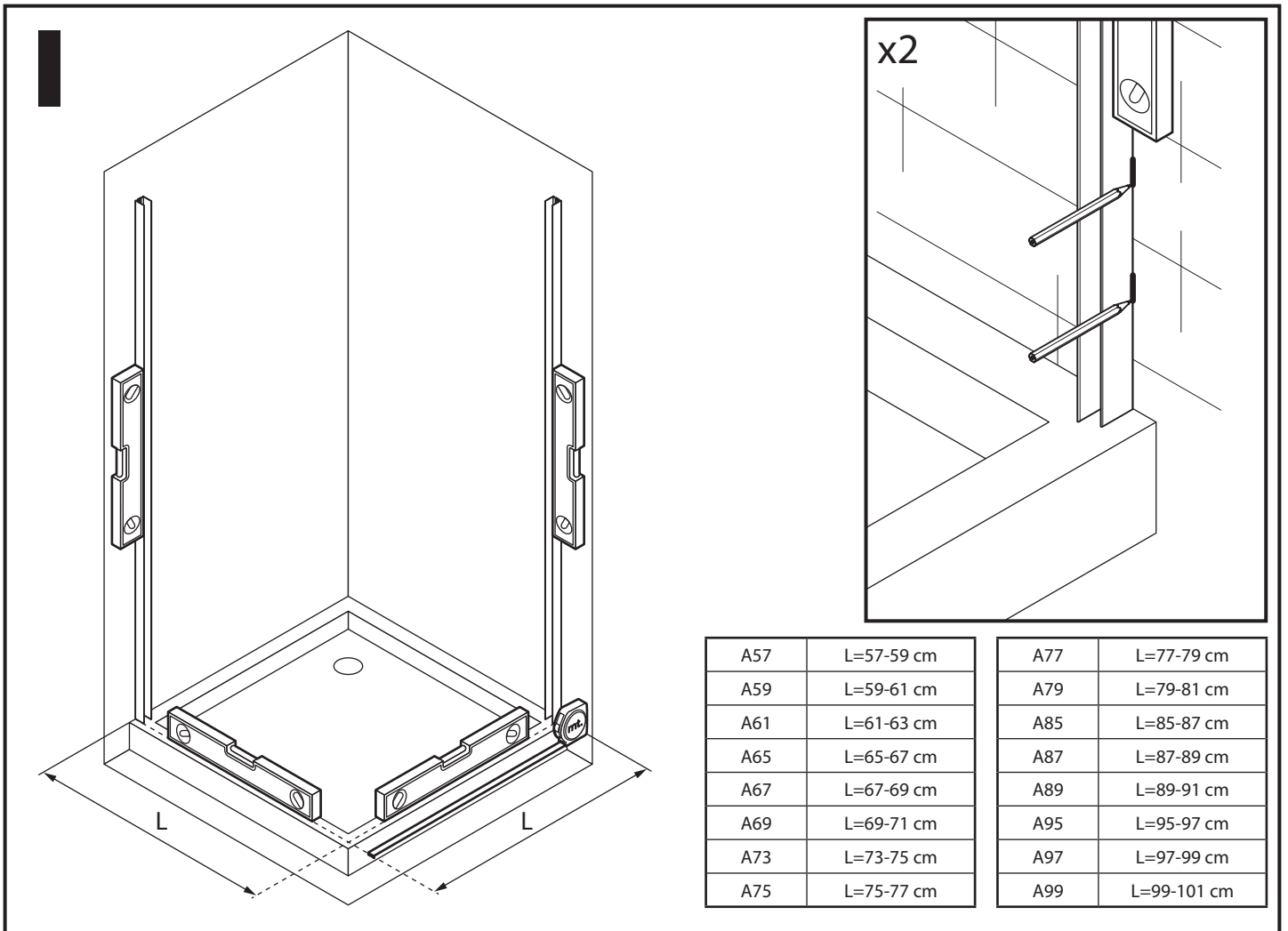


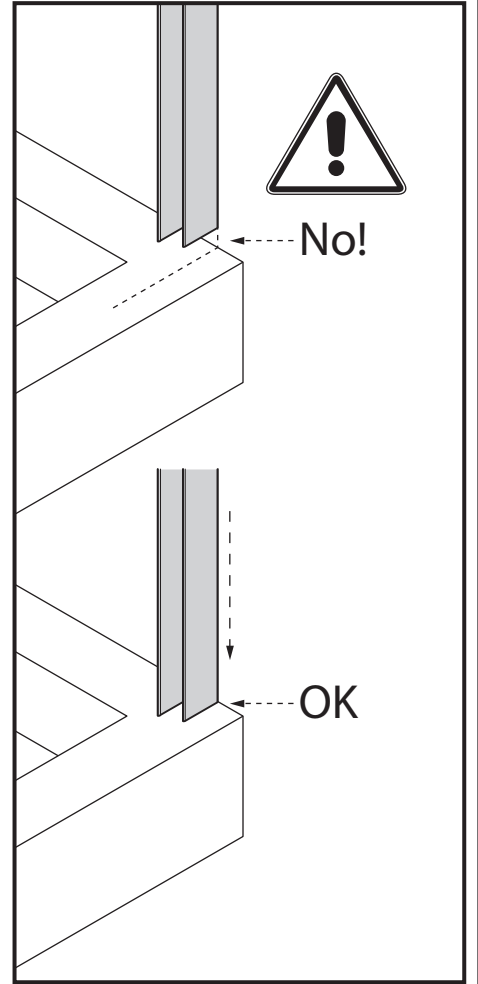
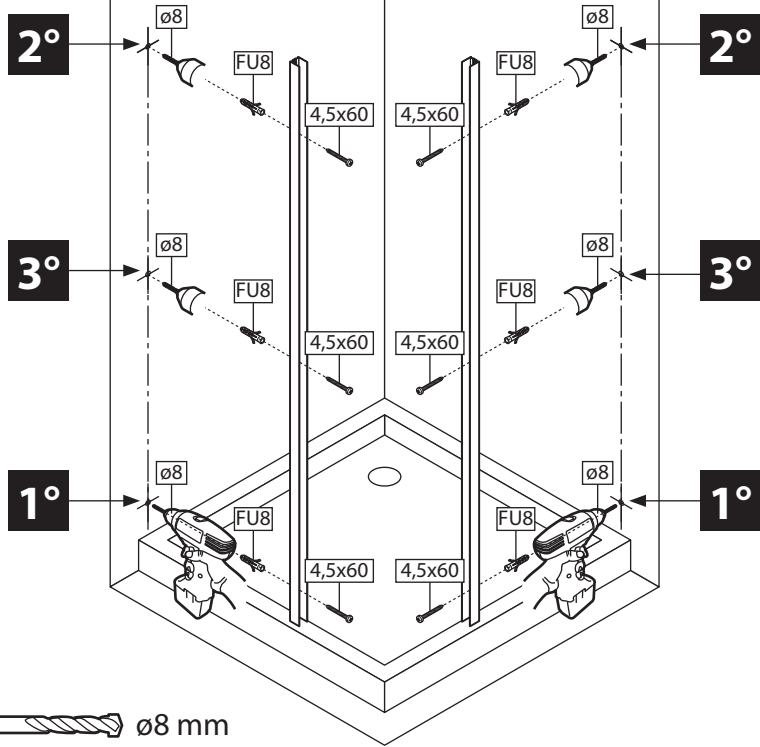
**A**



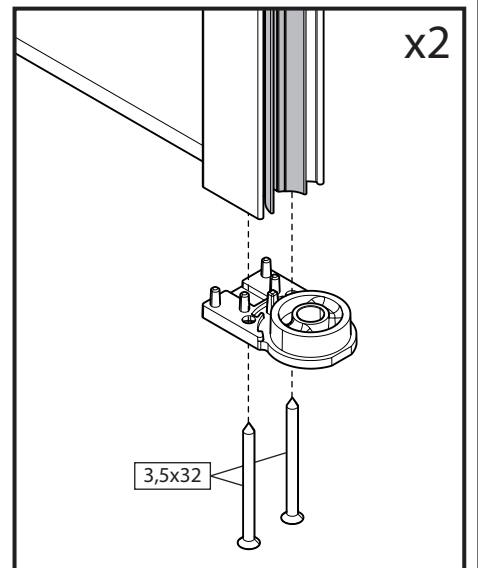
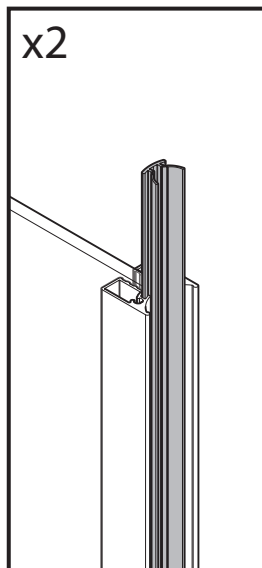
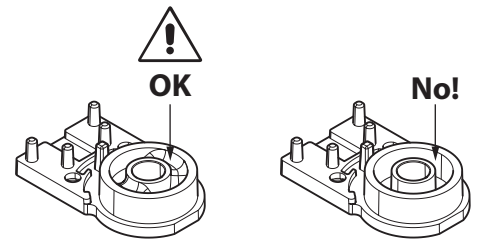
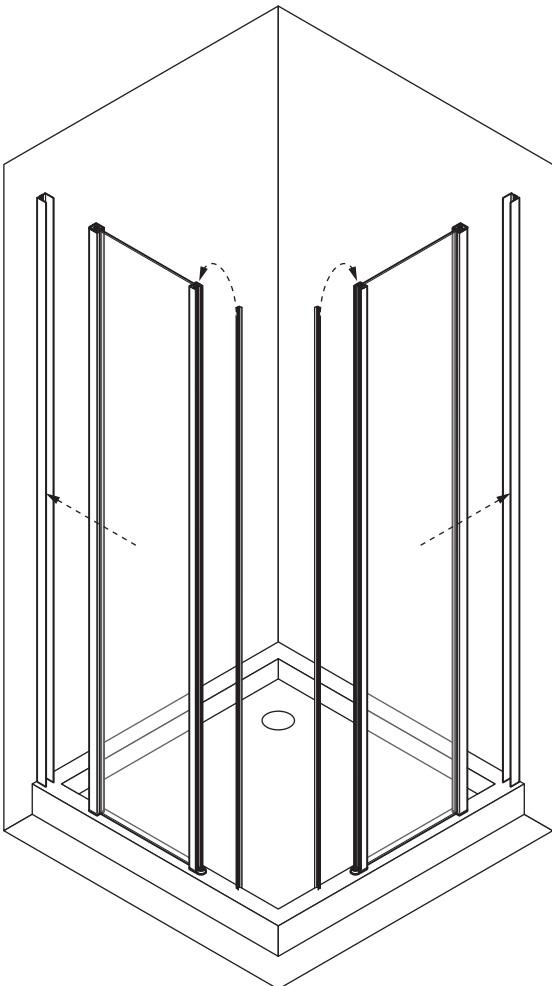





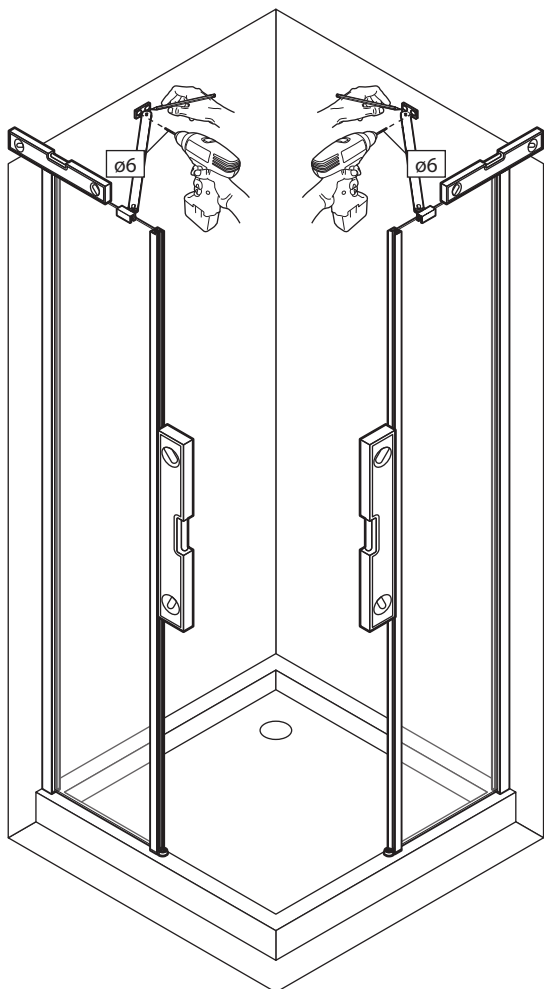
# 3



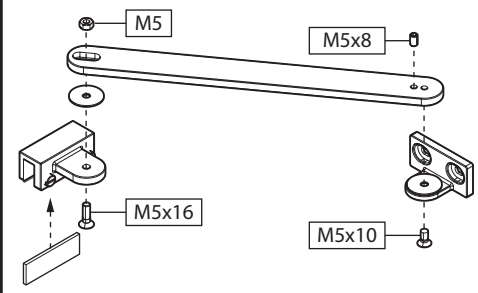
# 4



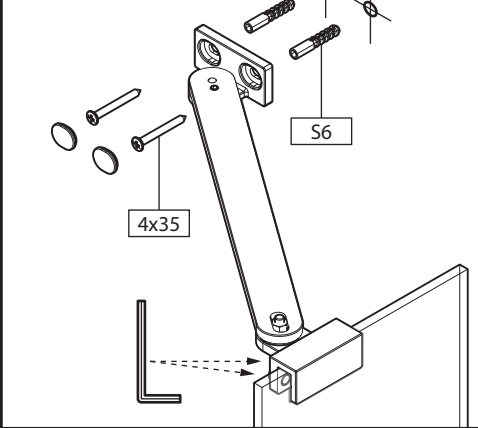
# 5



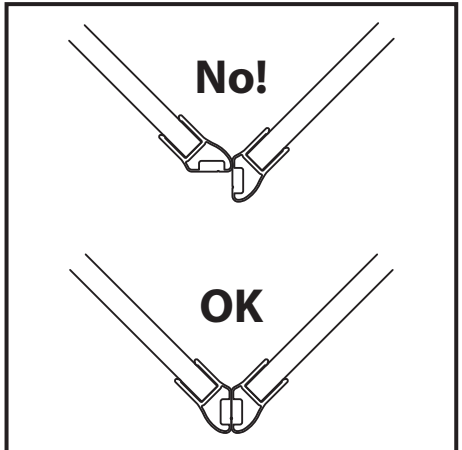
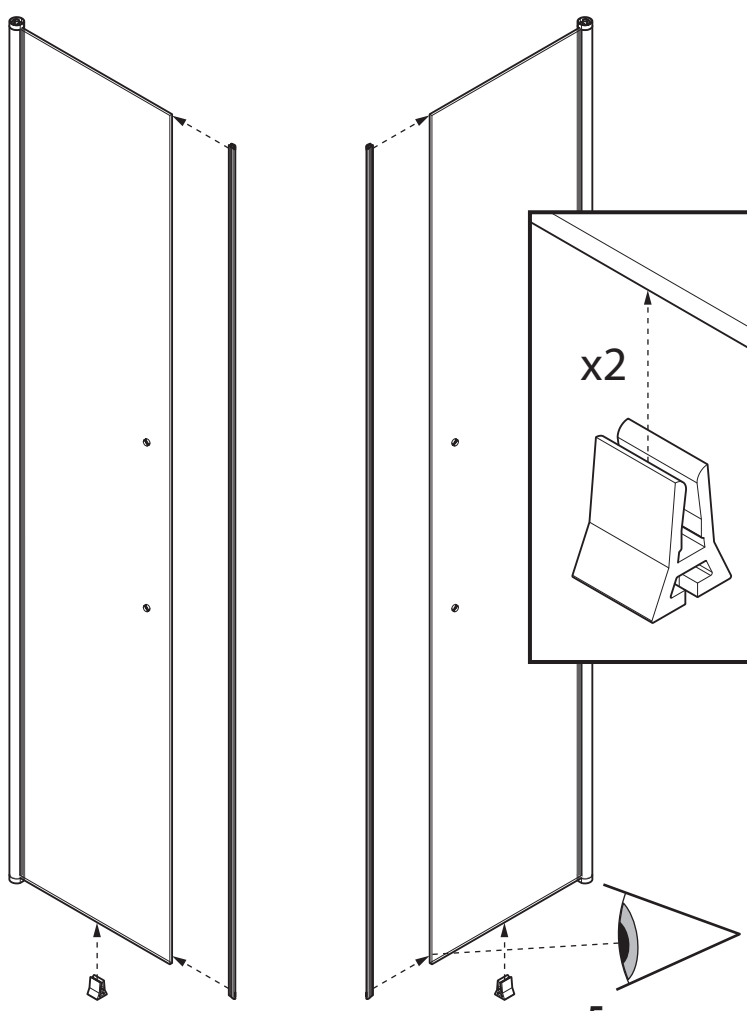
x2



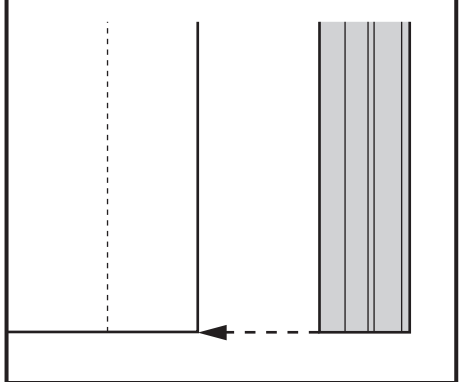
x2



# 6

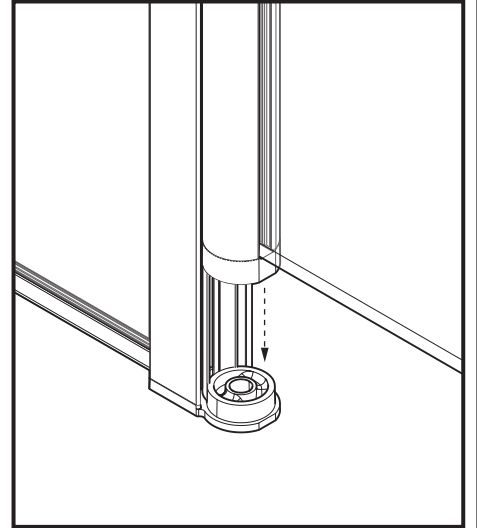
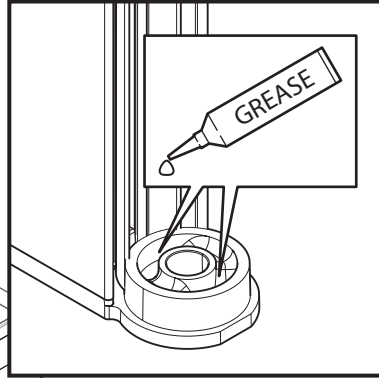
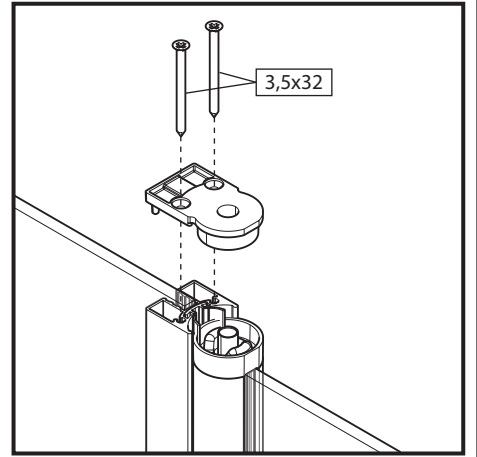
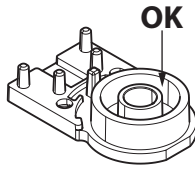
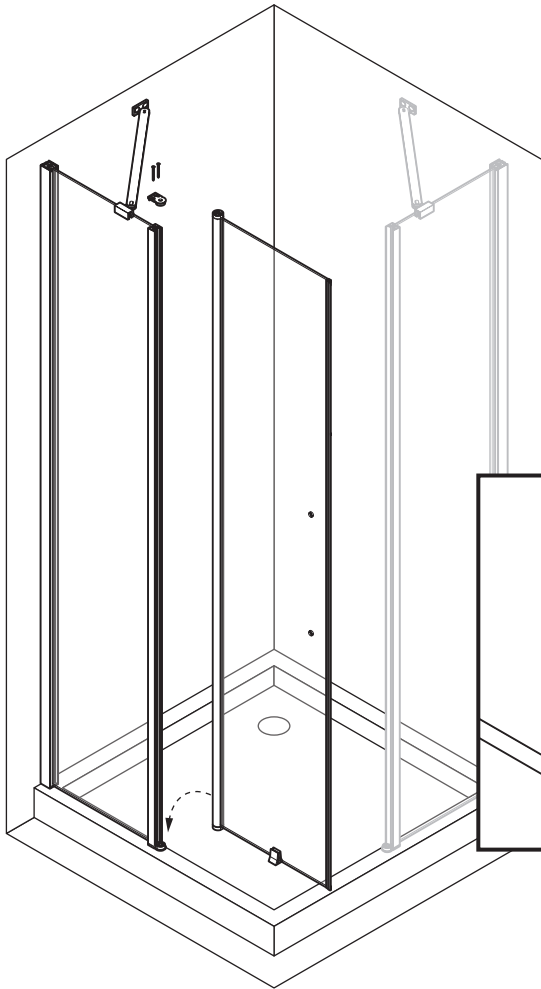


x2

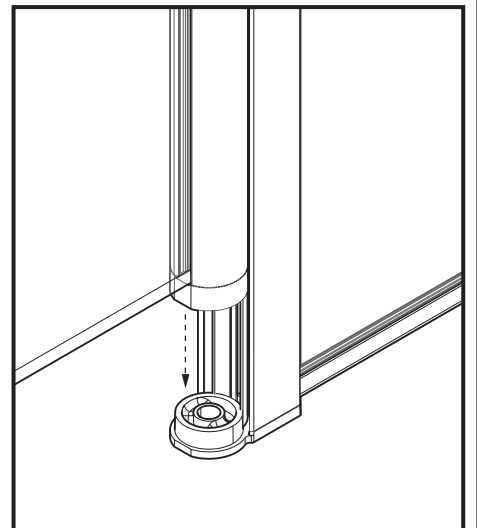
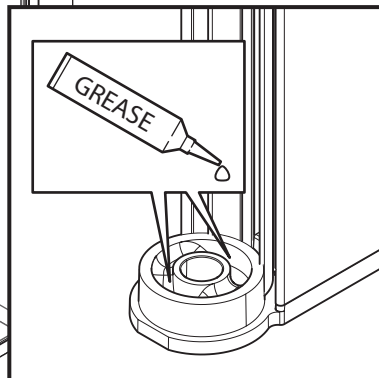
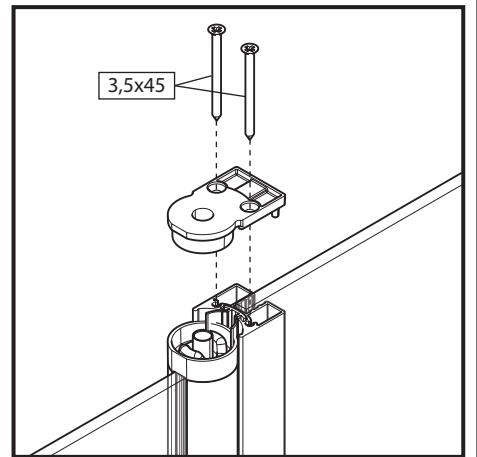
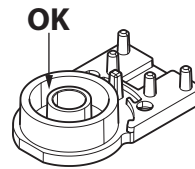


5

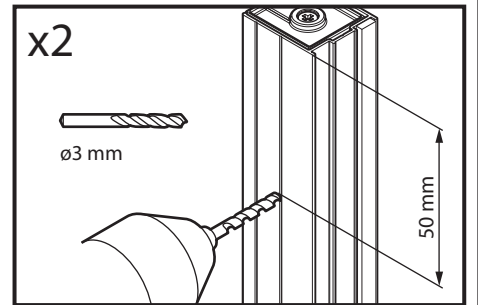
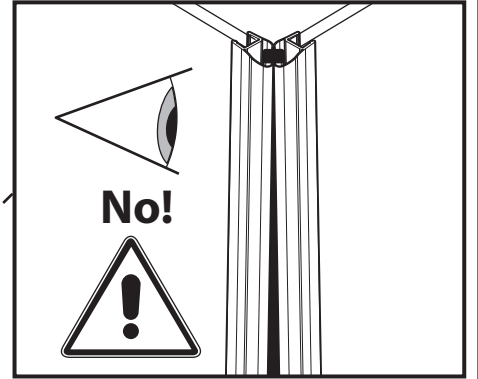
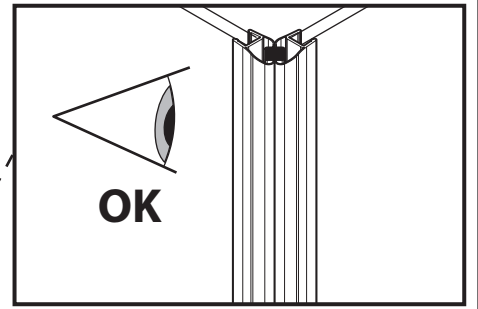
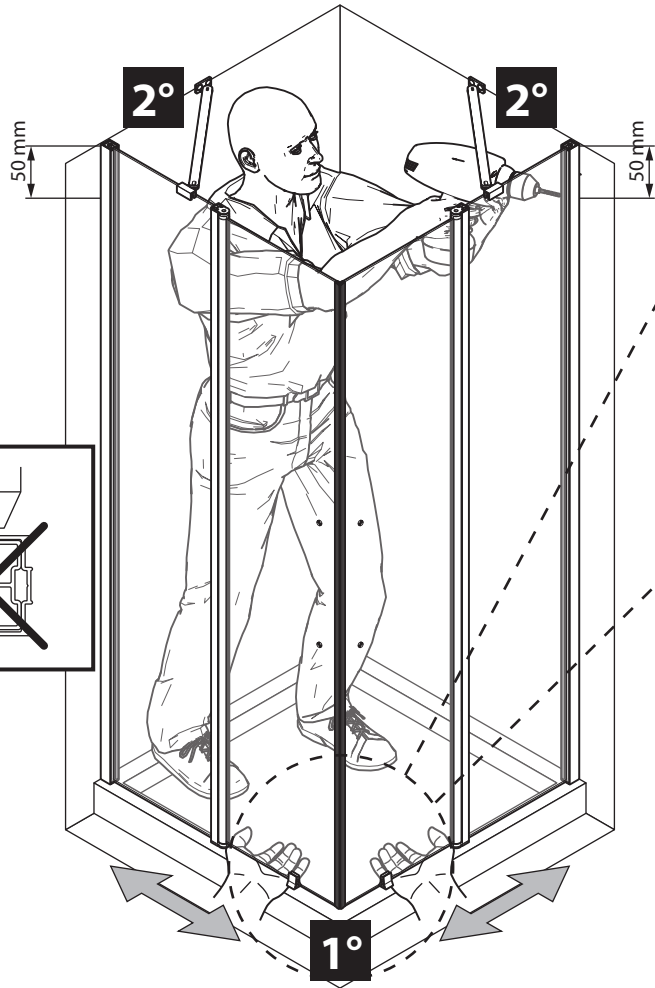
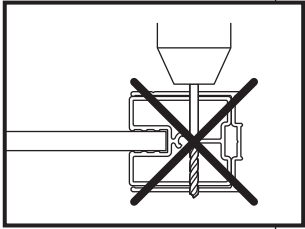
# 7



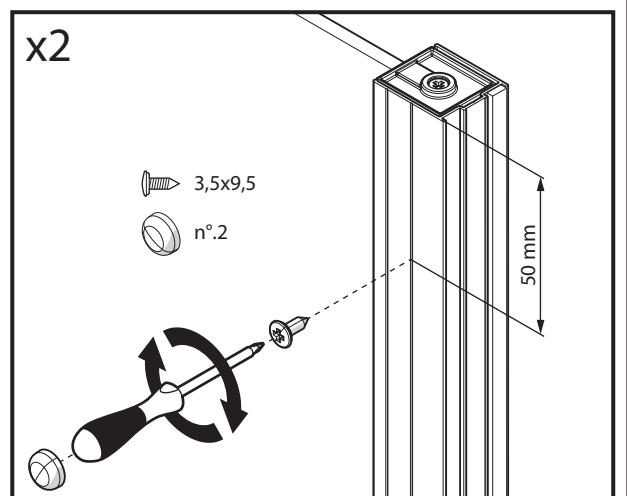
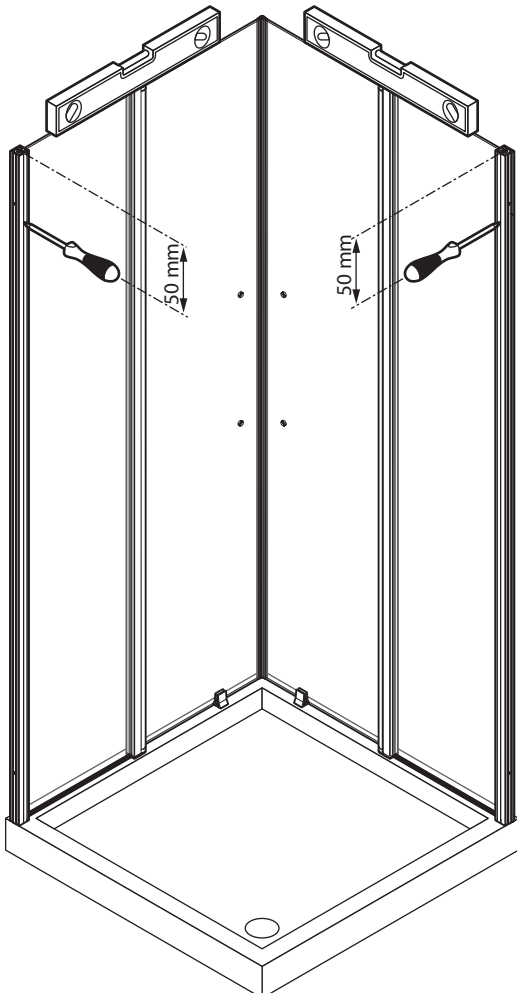
# 8



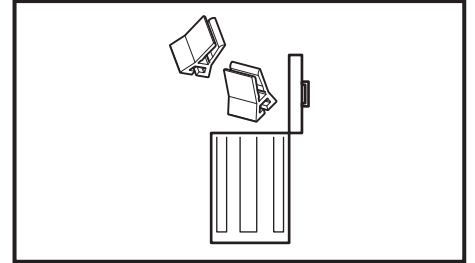
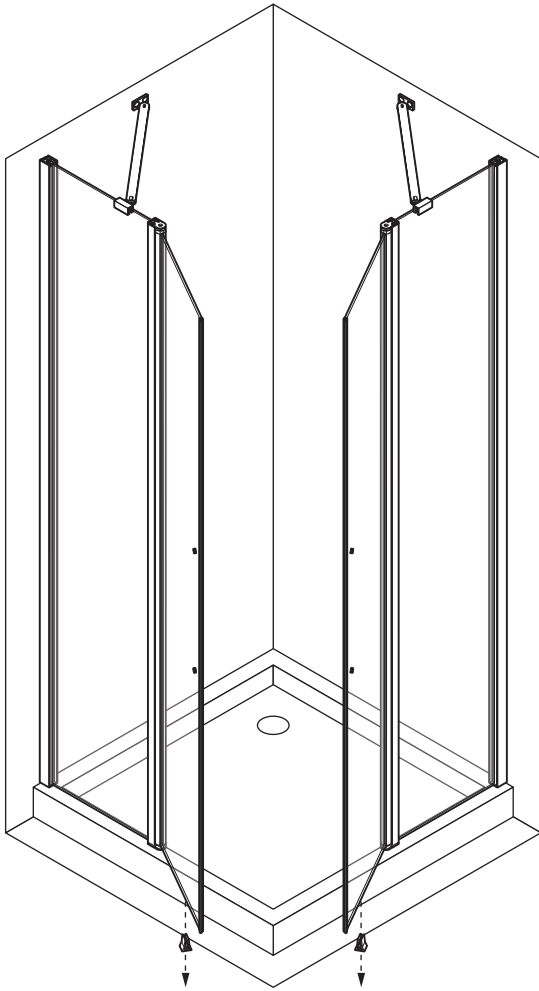
# 9



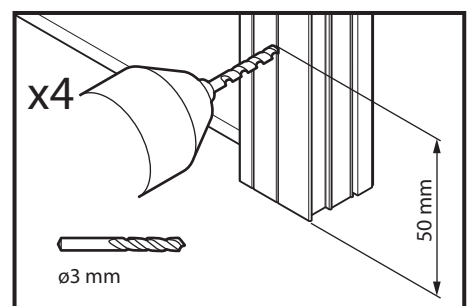
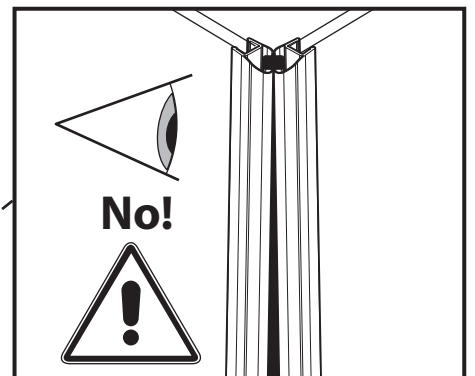
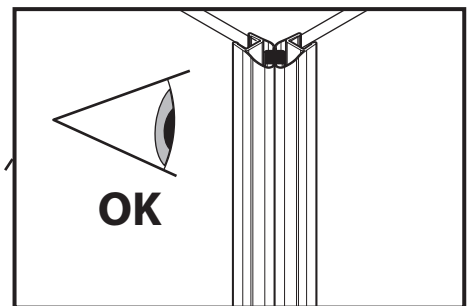
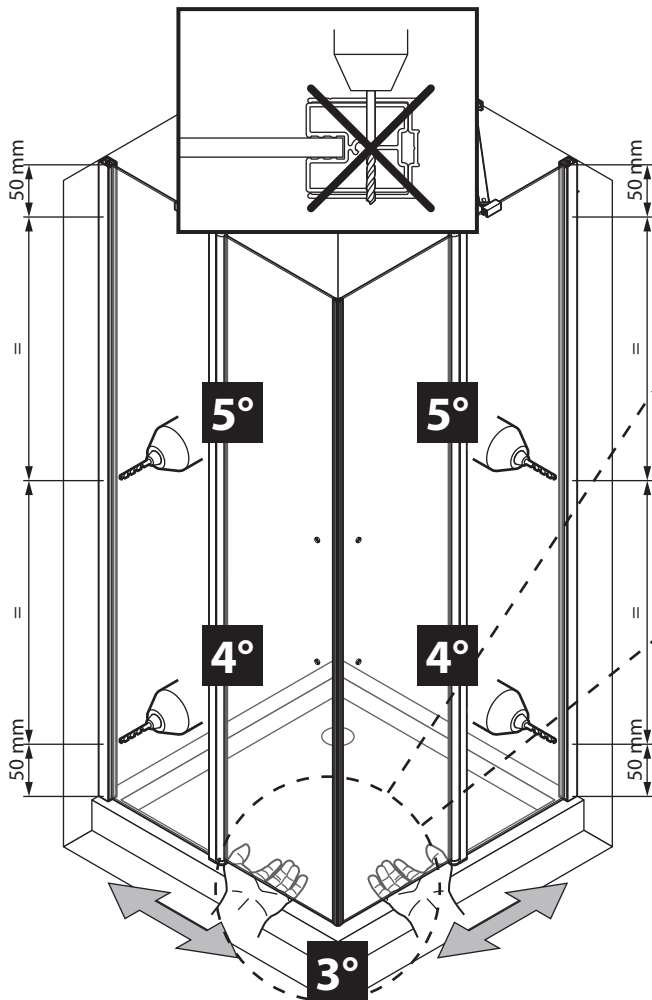
# 10



**11**

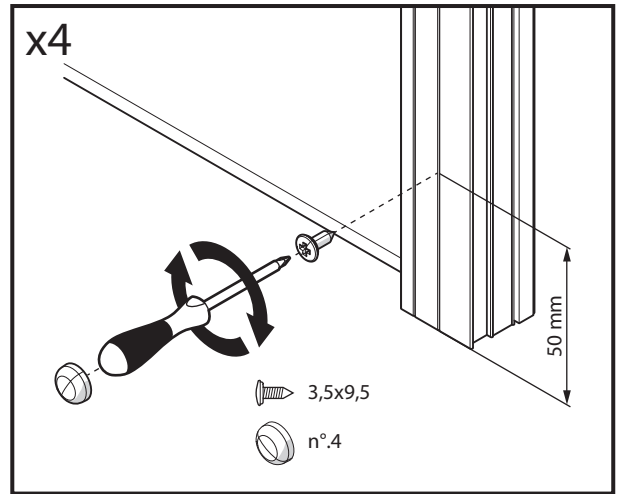
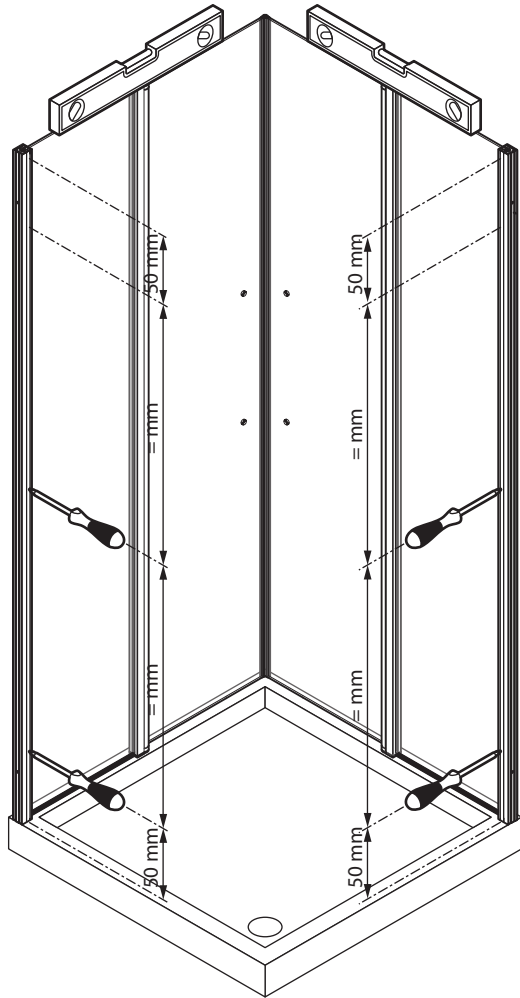


**12**

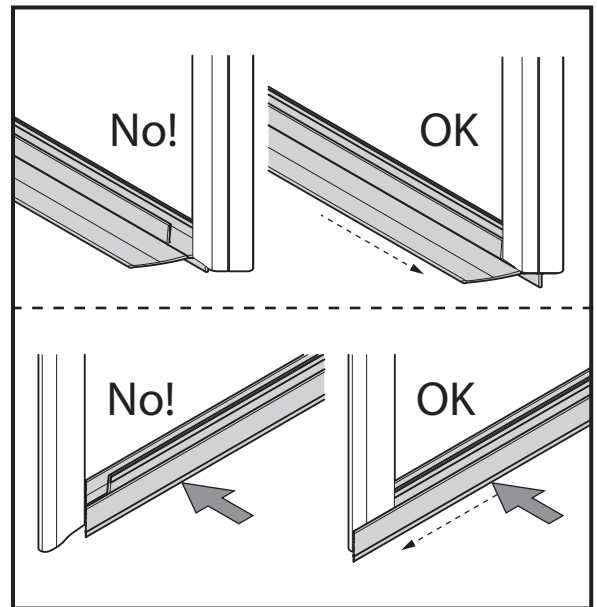
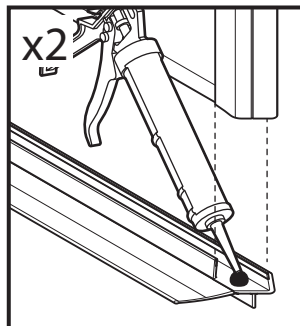
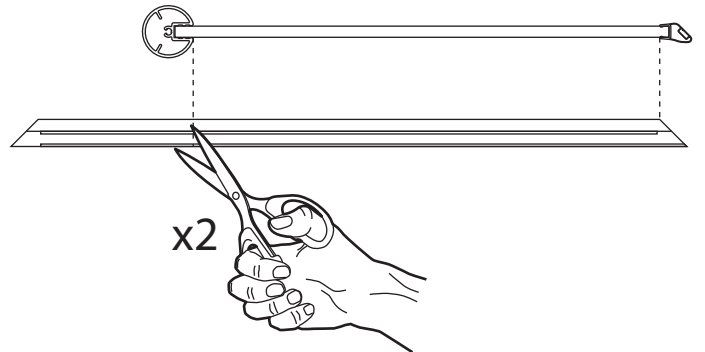
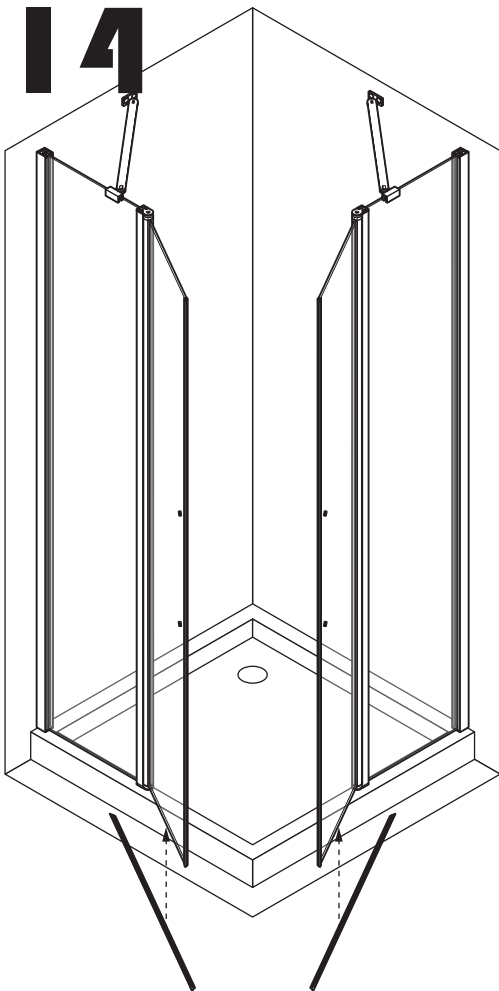




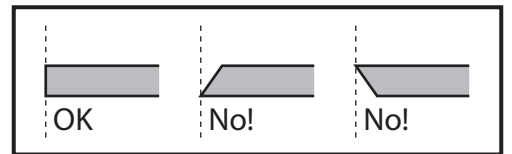
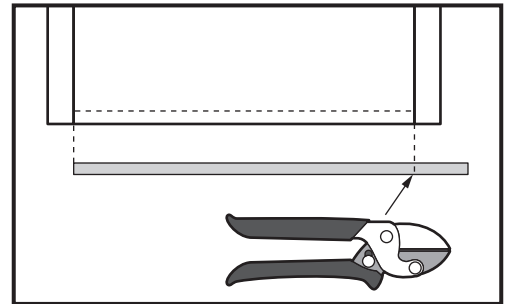
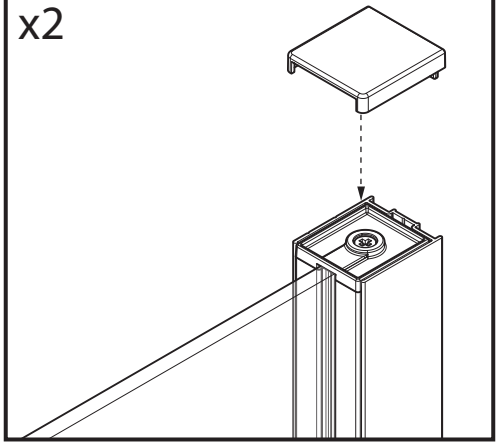
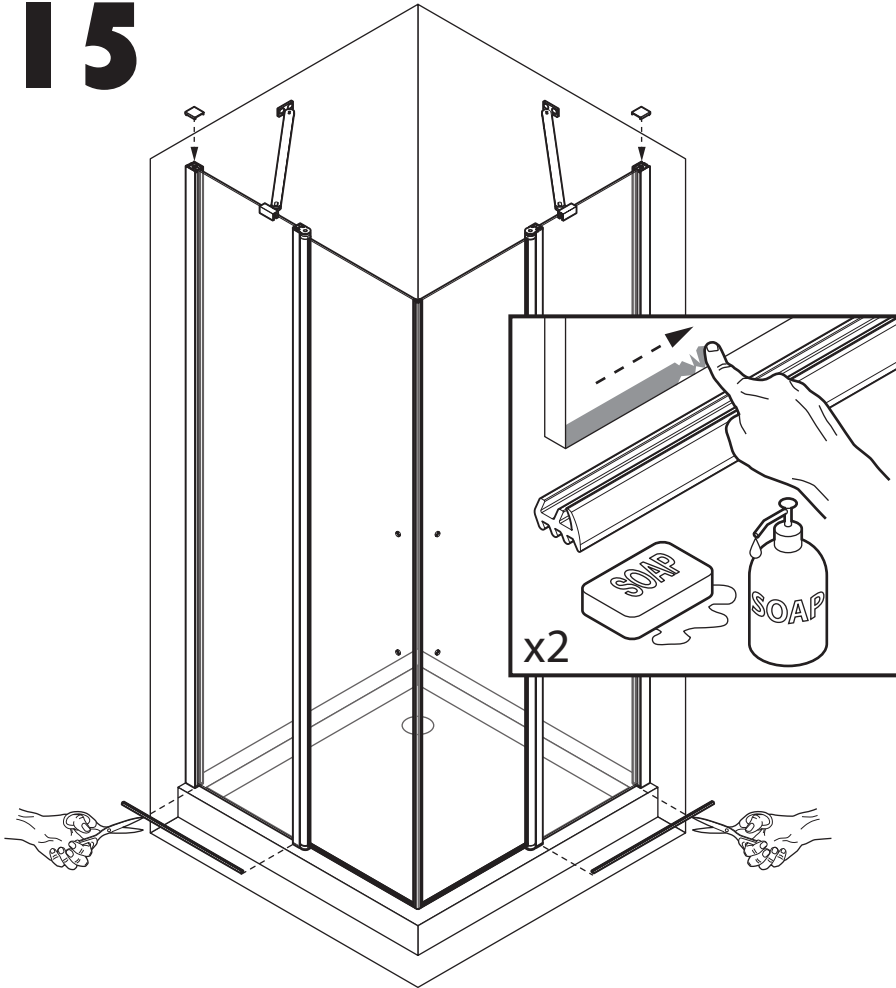
# 13



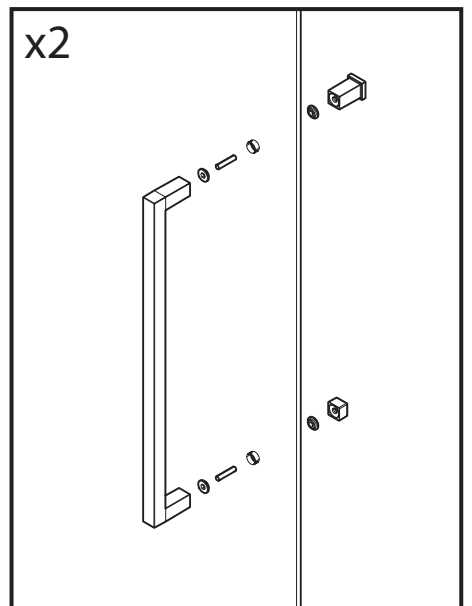
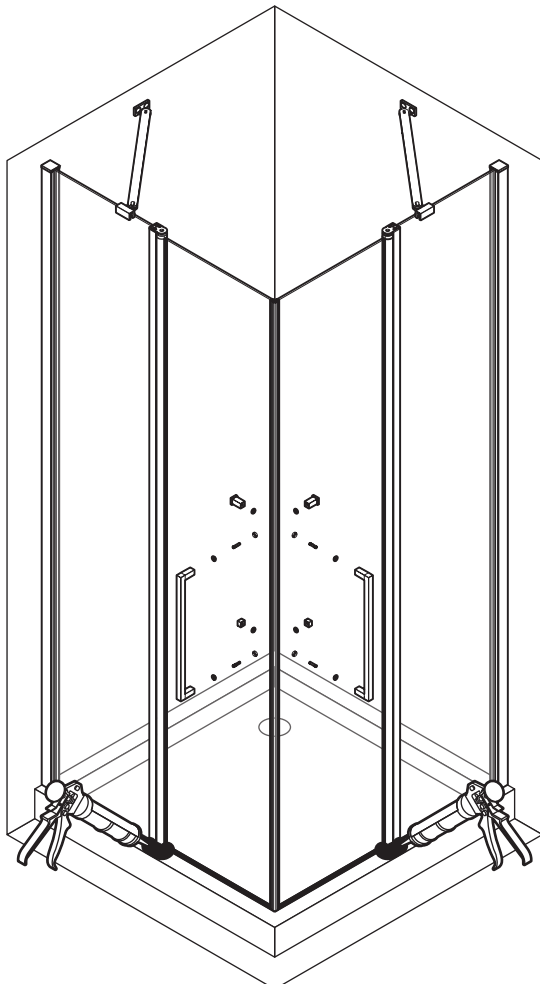
# 14



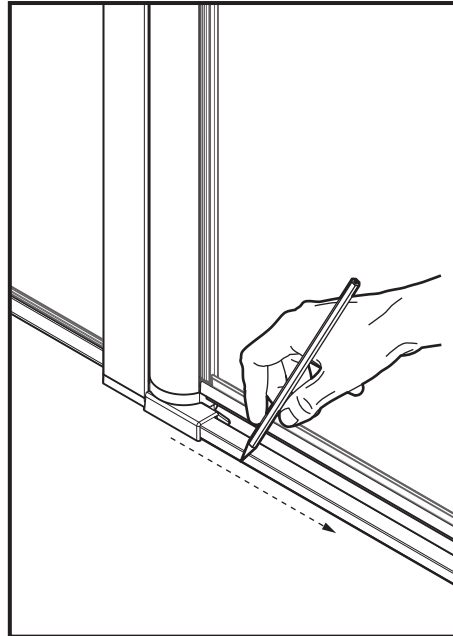
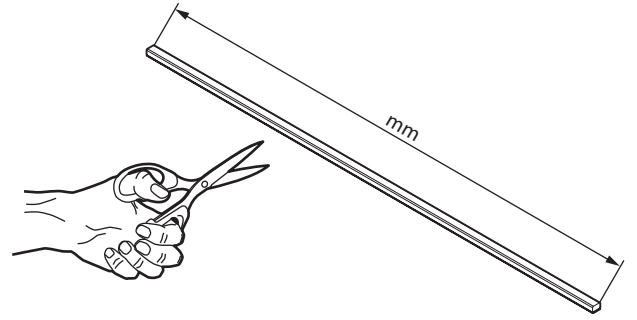
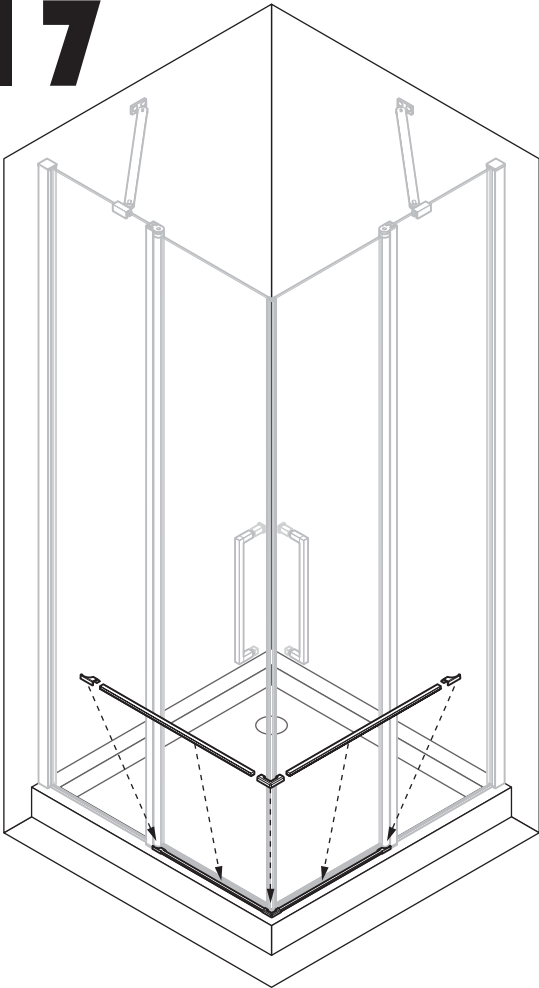
# 15



# 16

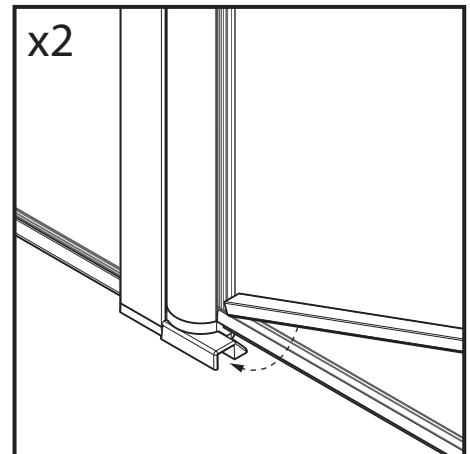
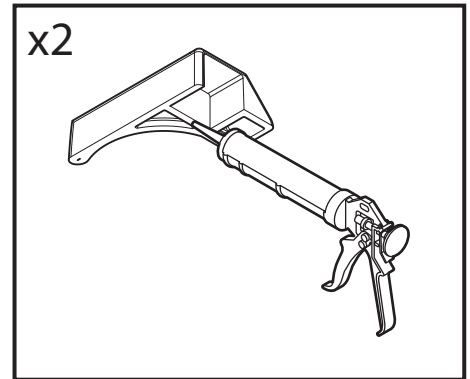
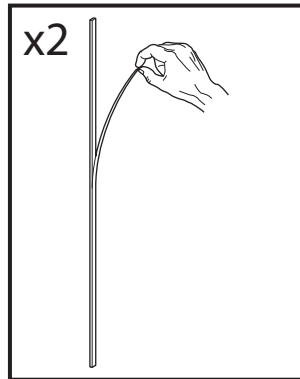
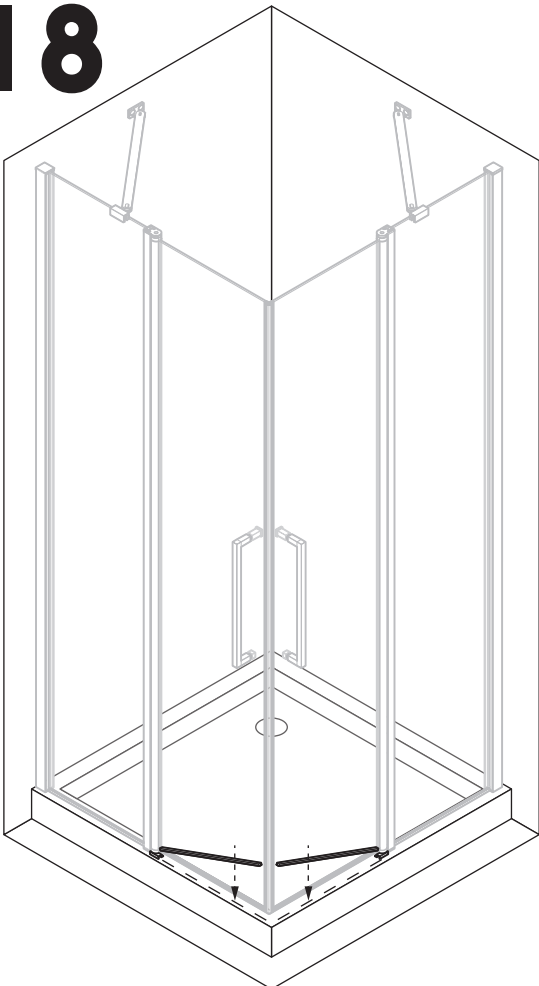


# 17

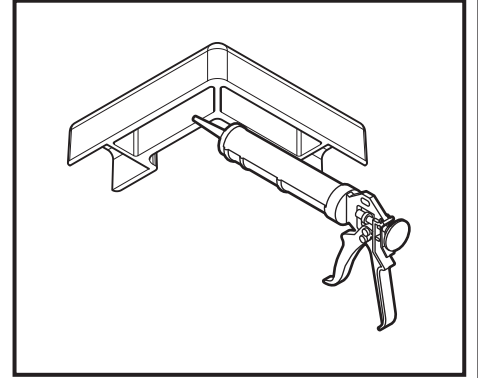
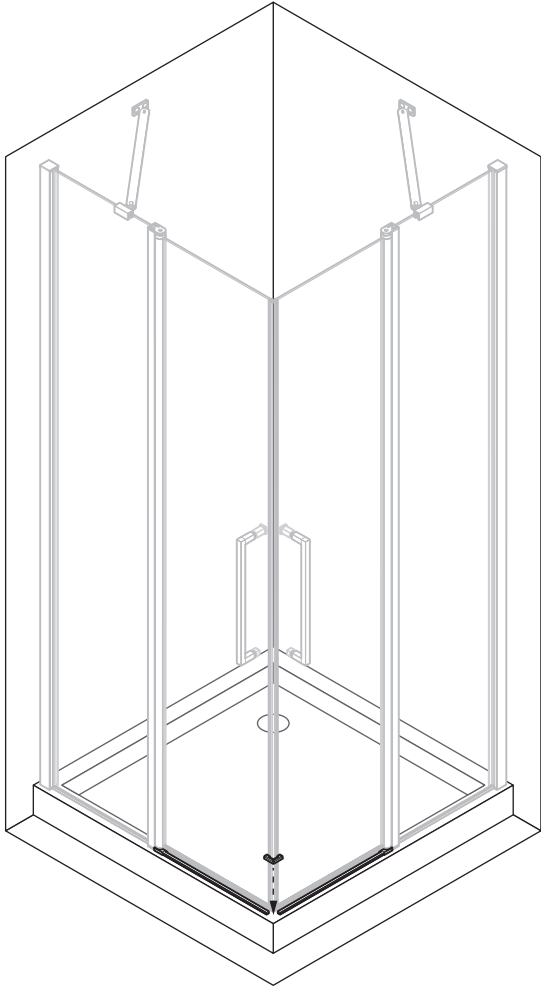


mod. A	mm
57-59	253
59-61	273
61-63	293
65-67	333
67-69	353
69-71	373
73-75	333
75-77	353
77-79	373
79-81	393
85-87	373
87-89	393
89-91	413
95-97	473
97-99	493
99-101	513

# 18



# 19



# 20

