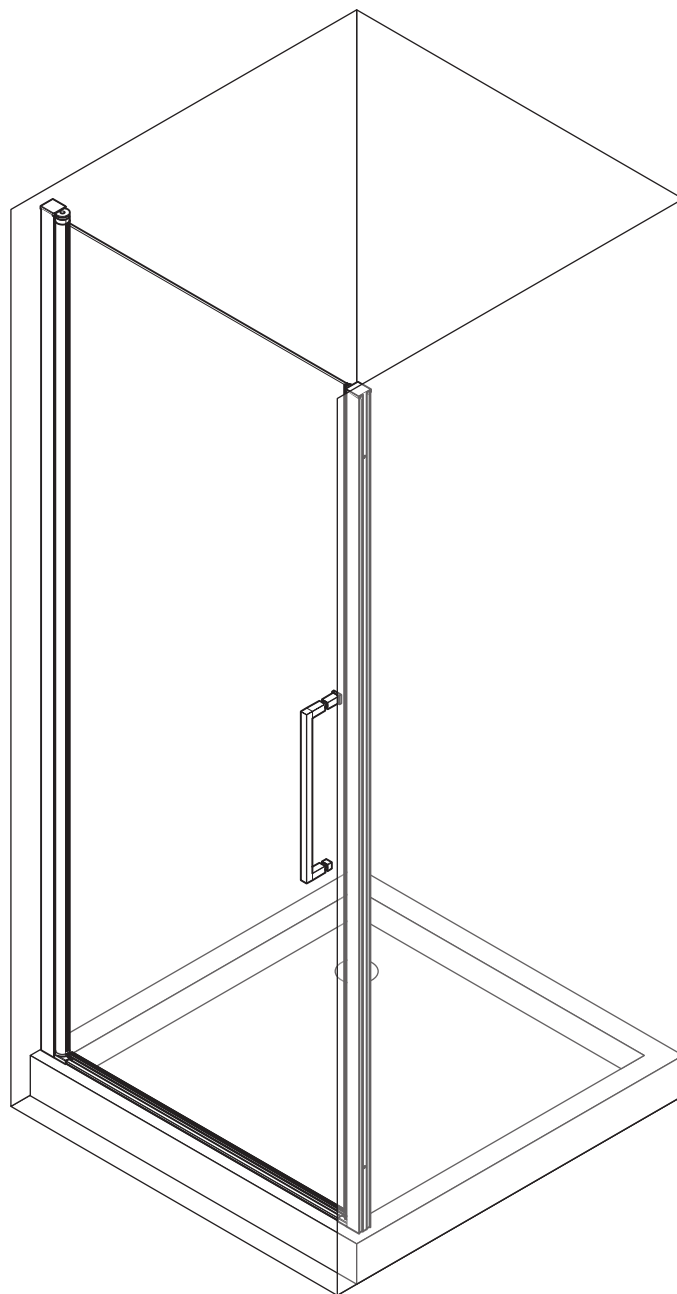
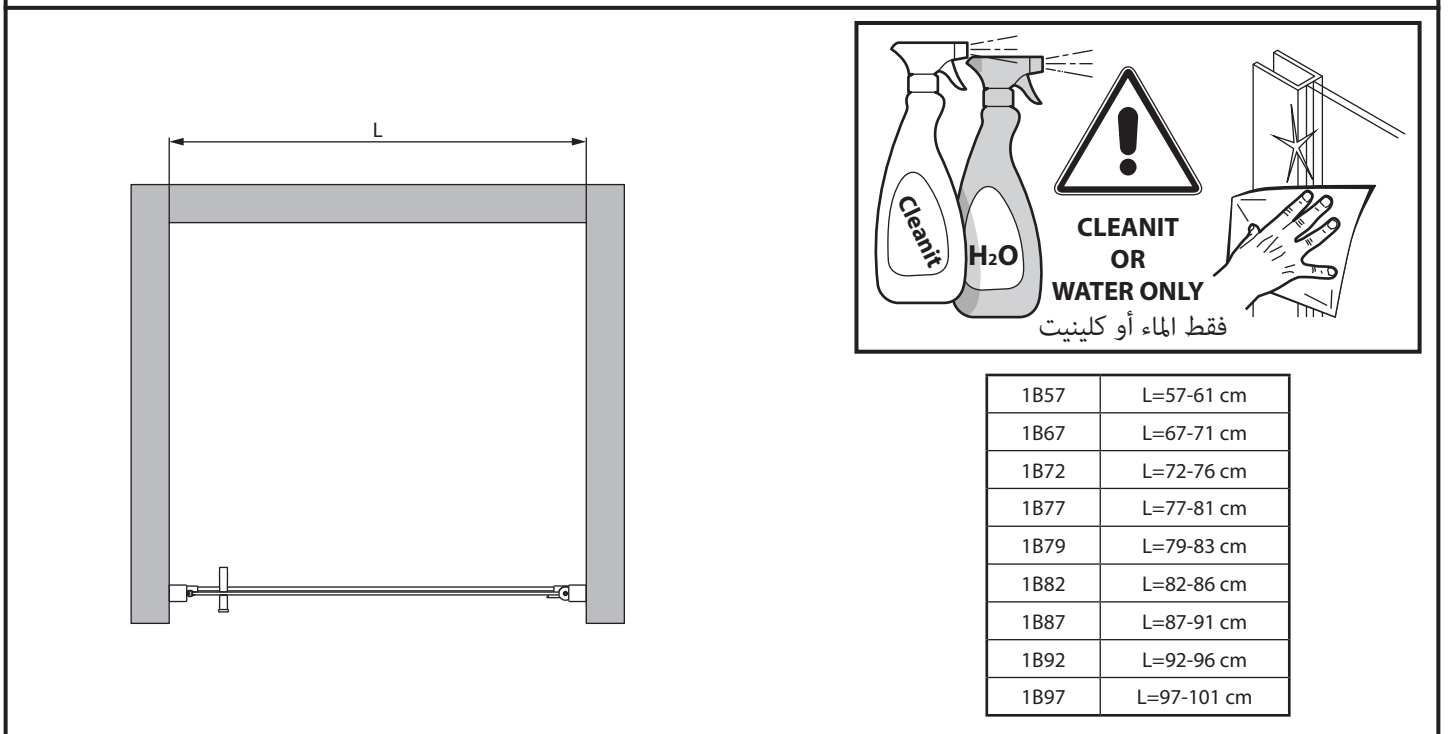
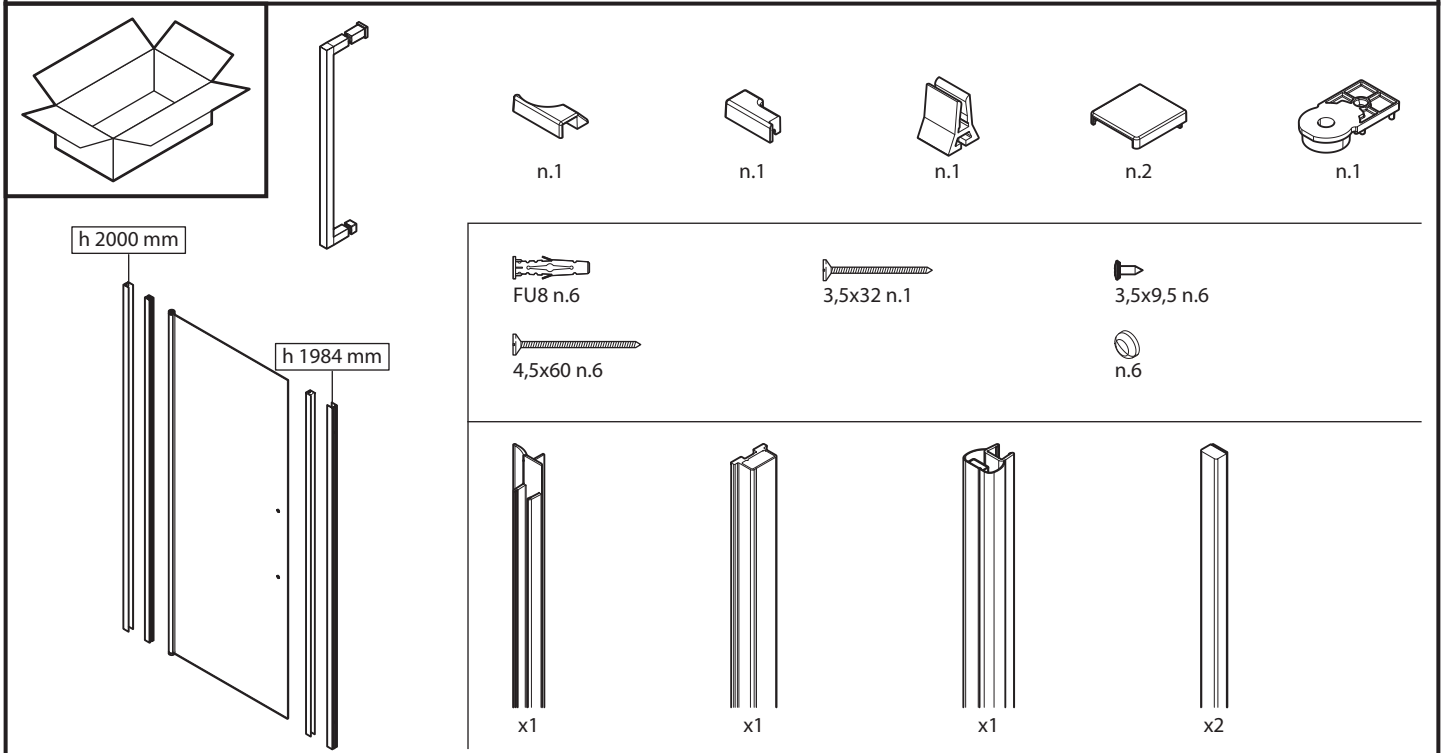
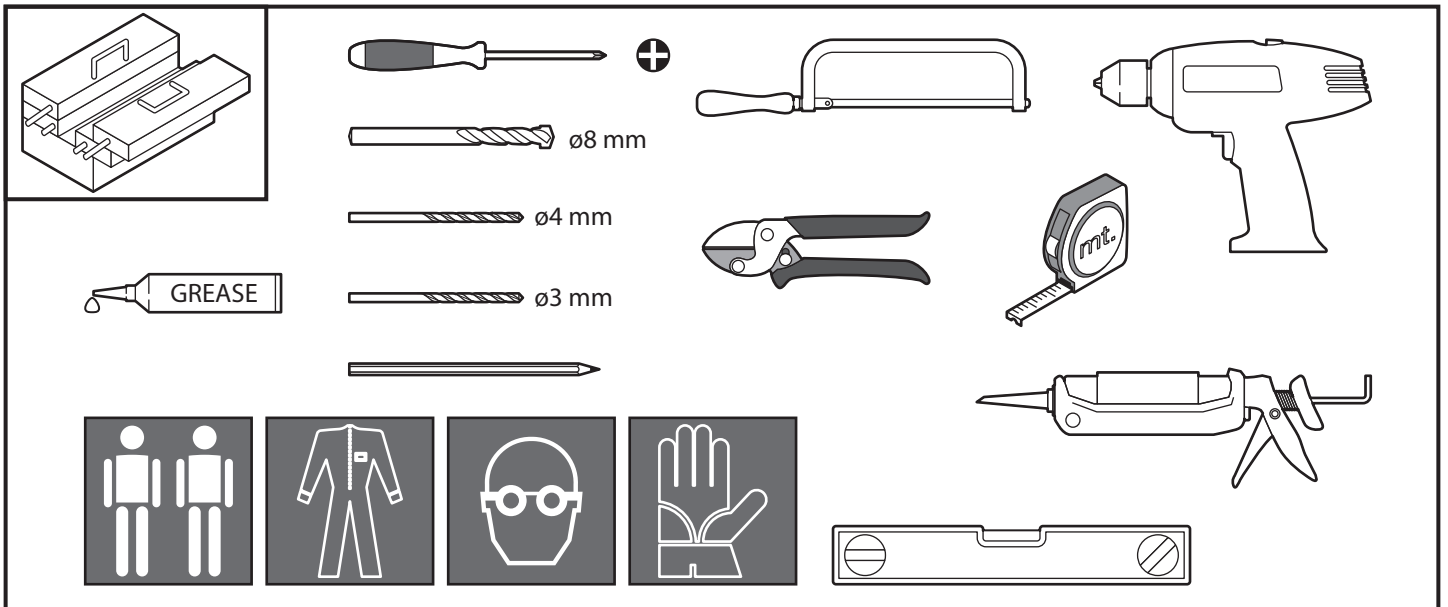
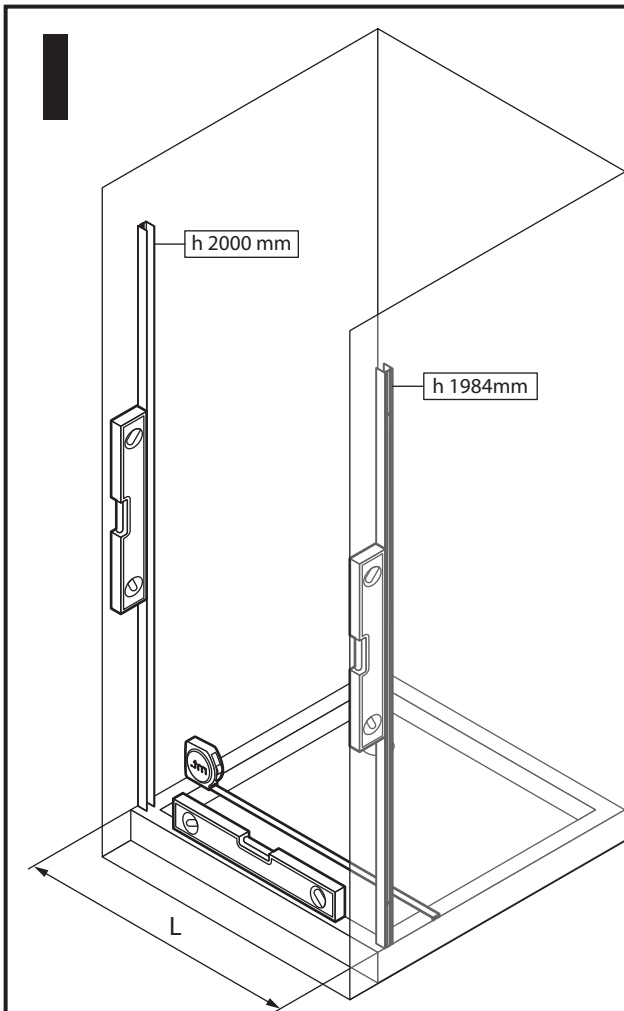


1B

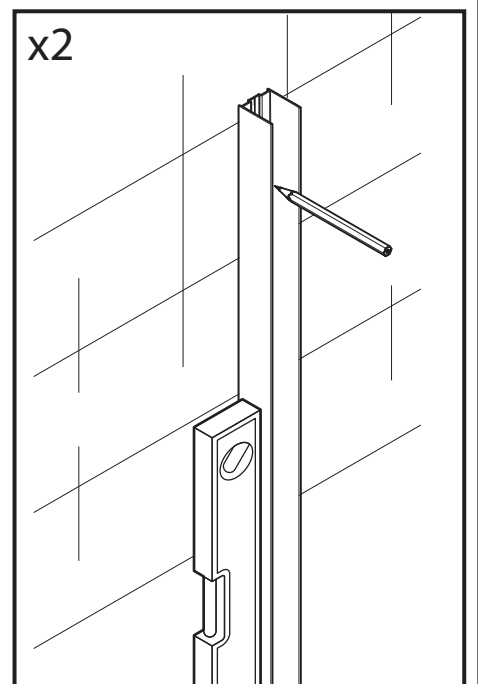
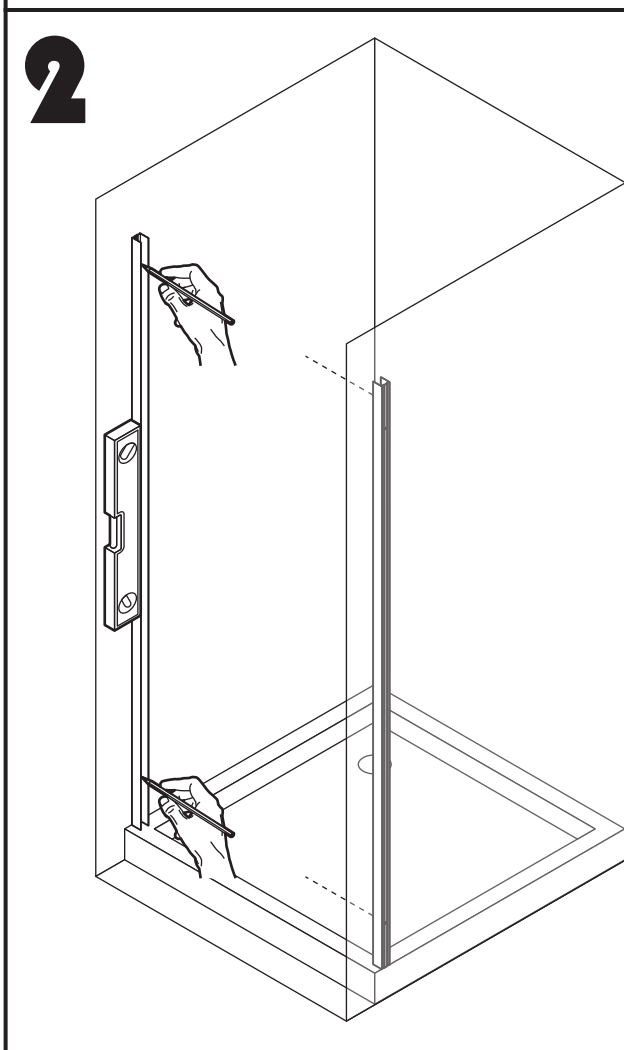
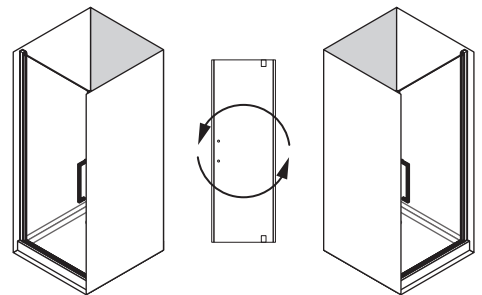
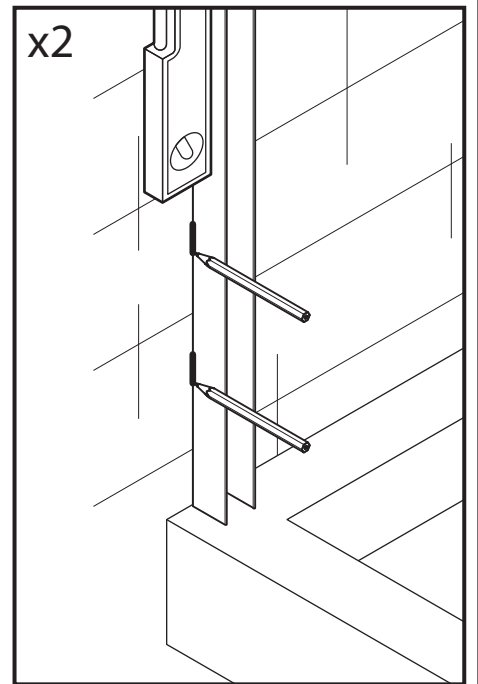


<hr/> <hr/> <hr/> <hr/>	<hr/> <hr/> <hr/> <hr/>
-------------------------	-------------------------





1B57	L=57-61 cm
1B67	L=67-71 cm
1B72	L=72-76 cm
1B77	L=77-81 cm
1B79	L=79-83 cm
1B82	L=82-86 cm
1B87	L=87-91 cm
1B92	L=92-96 cm
1B97	L=97-101 cm

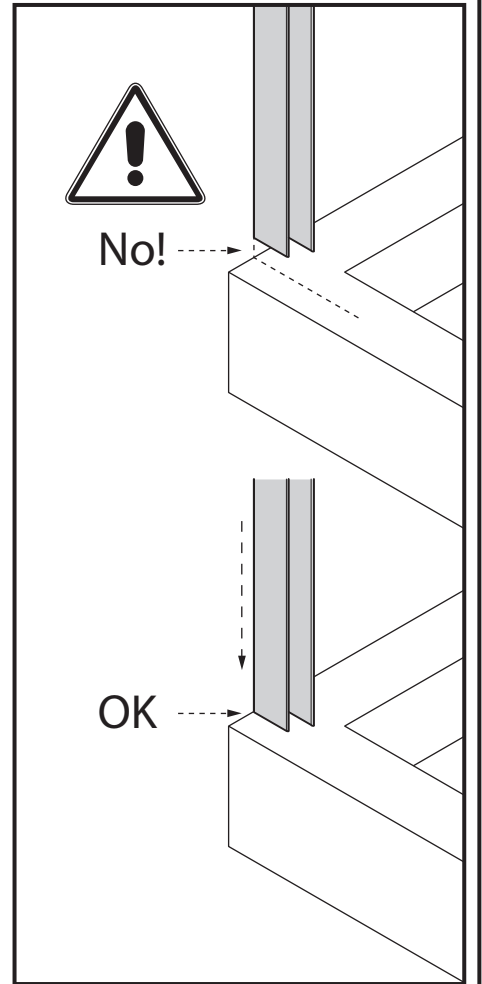


3

2°

1°

Ø8 mm

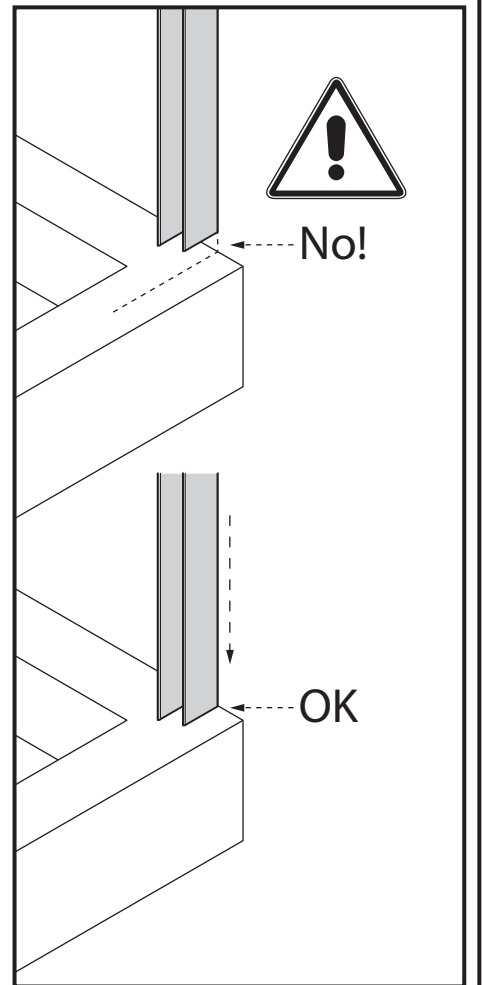


4

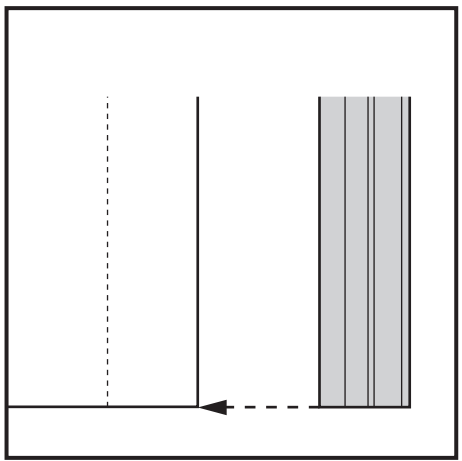
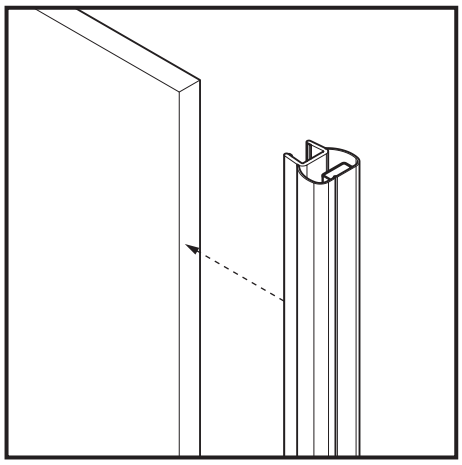
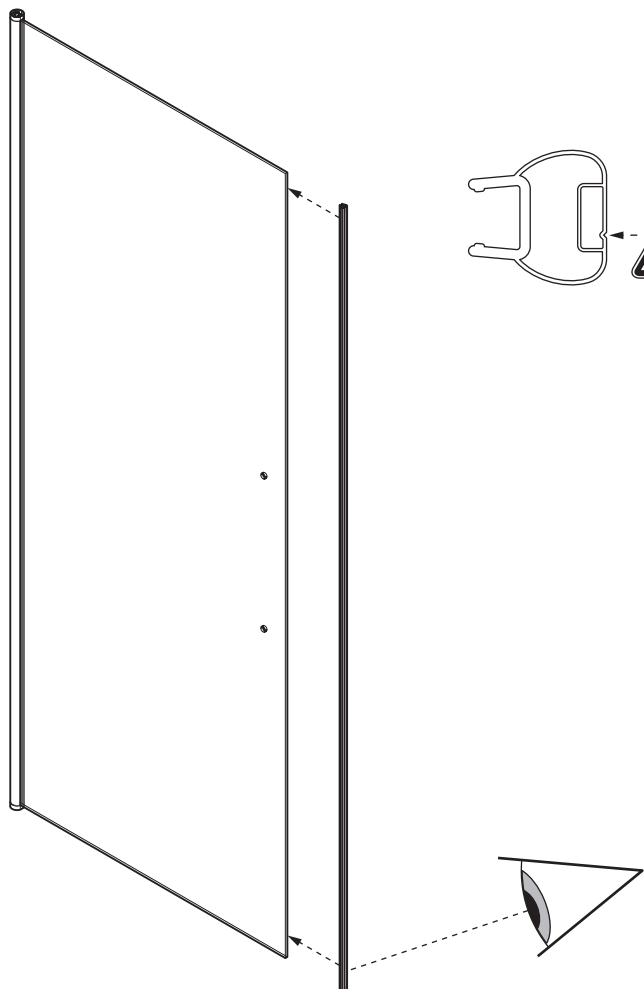
2°

1°

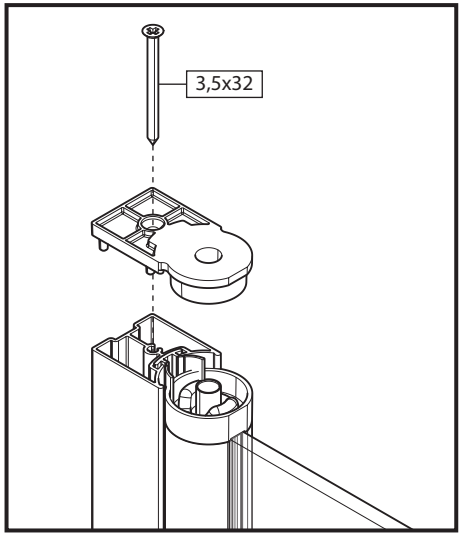
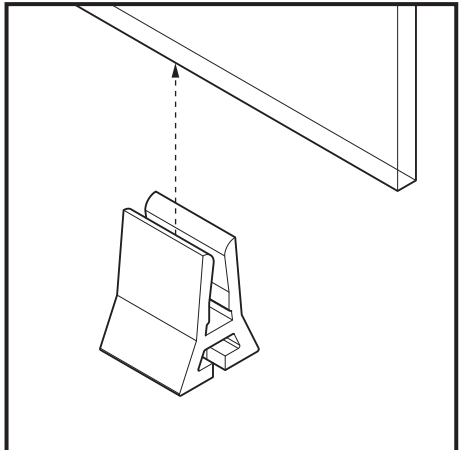
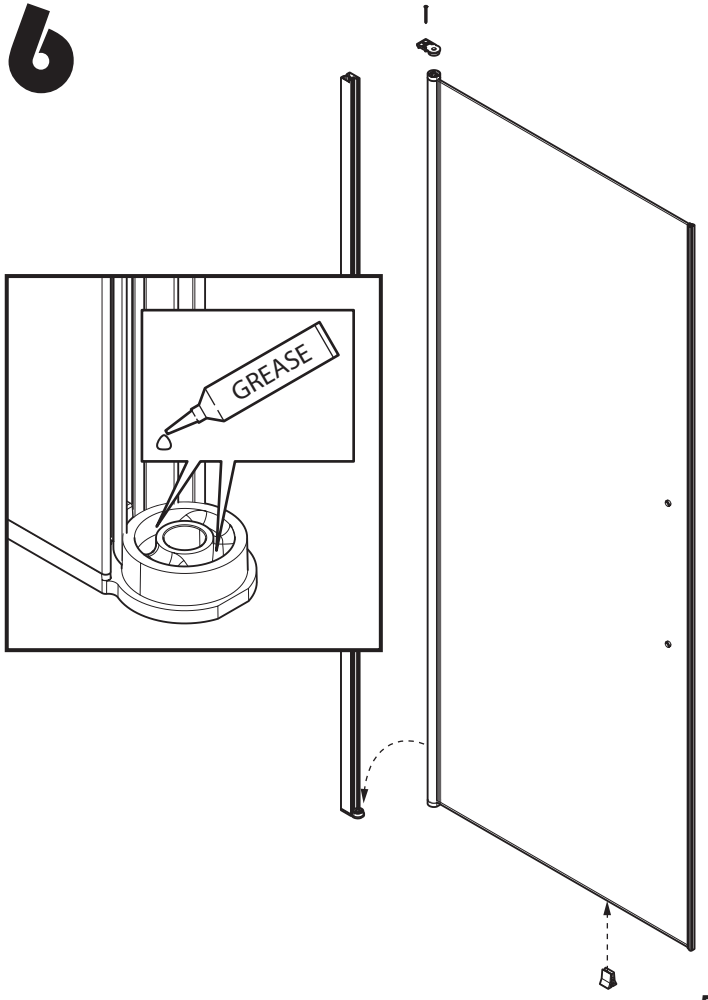
Ø8 mm



5

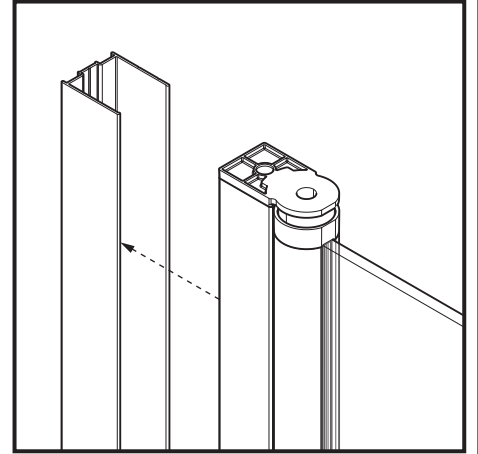
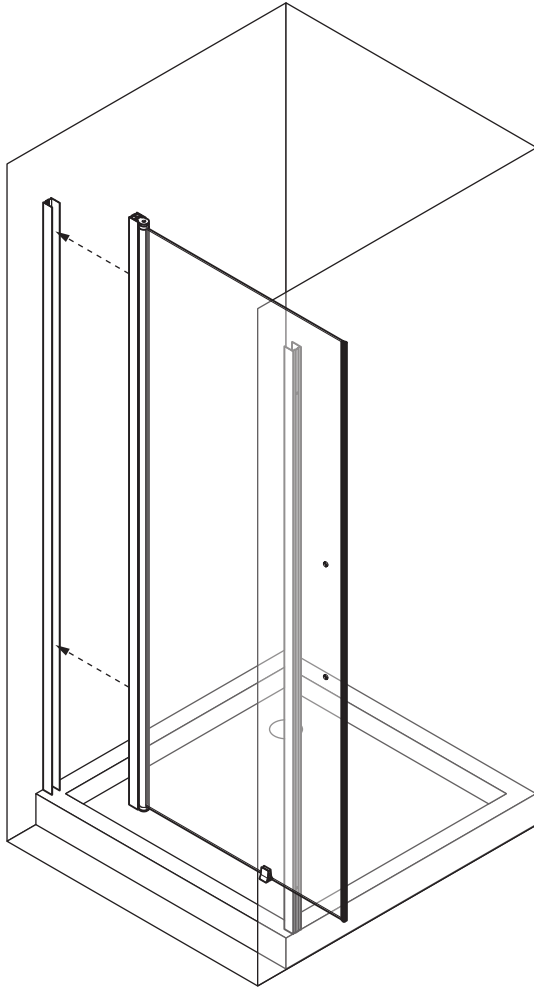


6

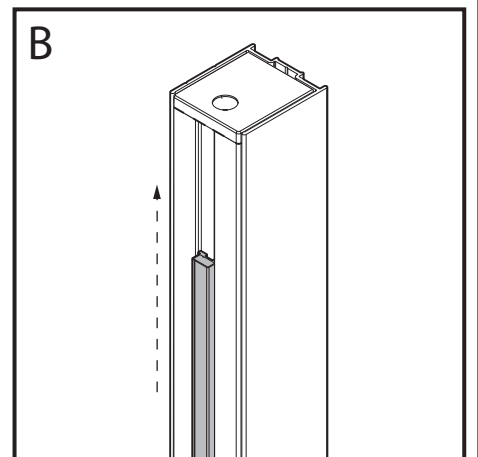
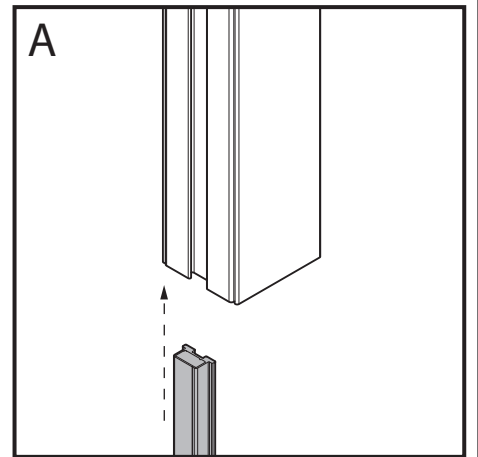
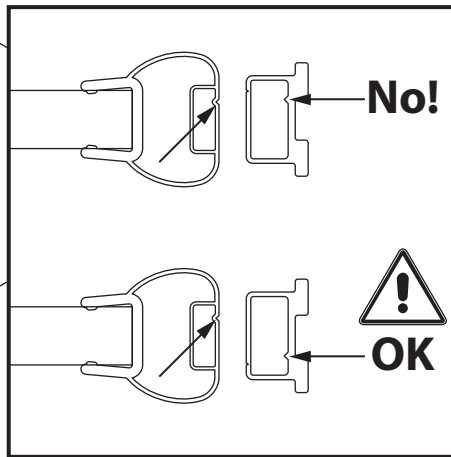
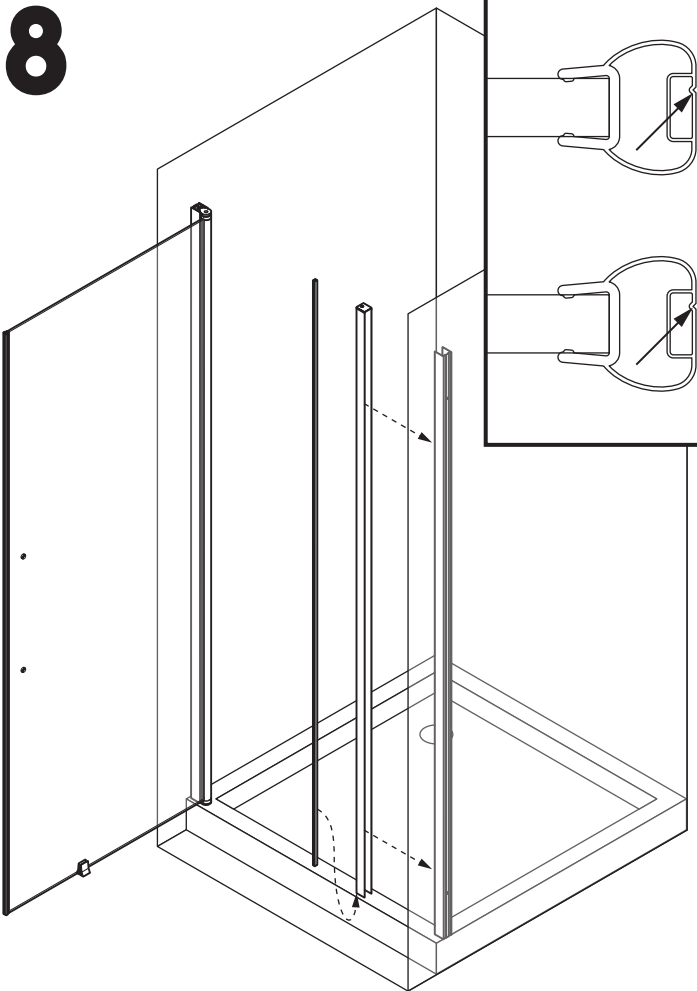


5

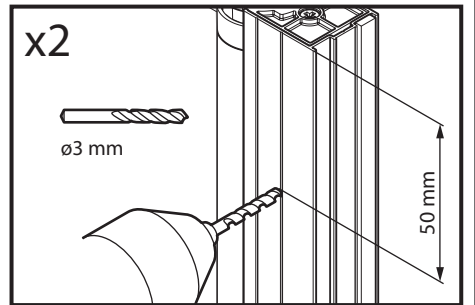
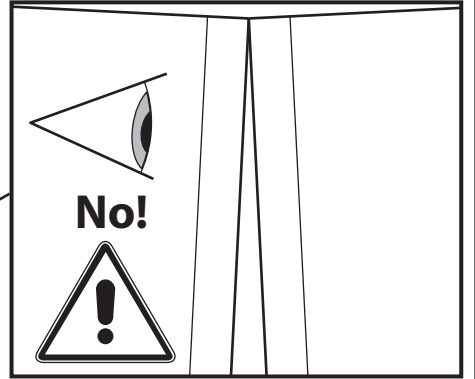
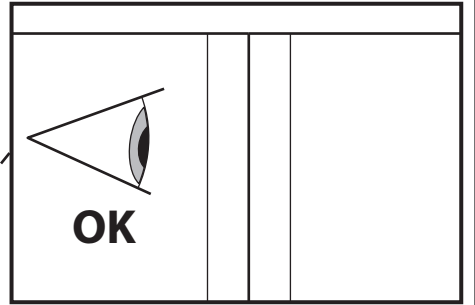
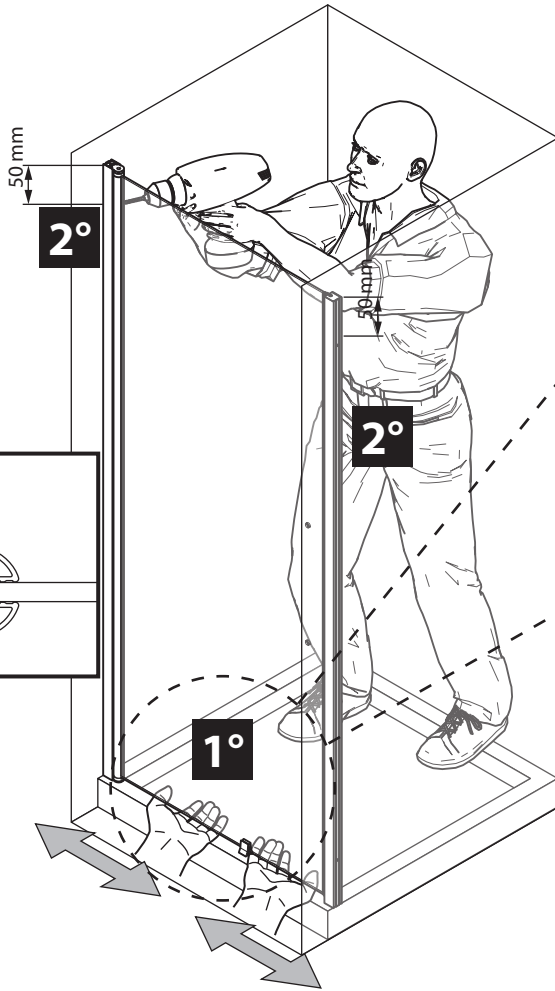
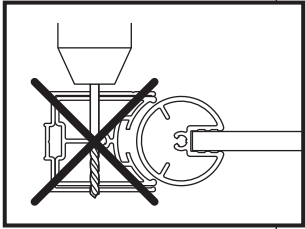
7



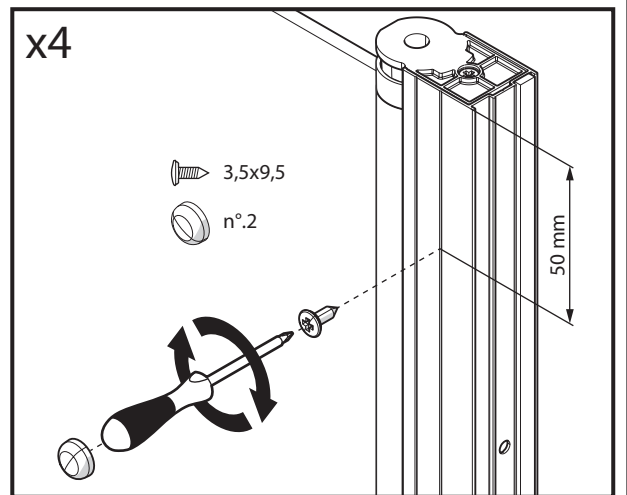
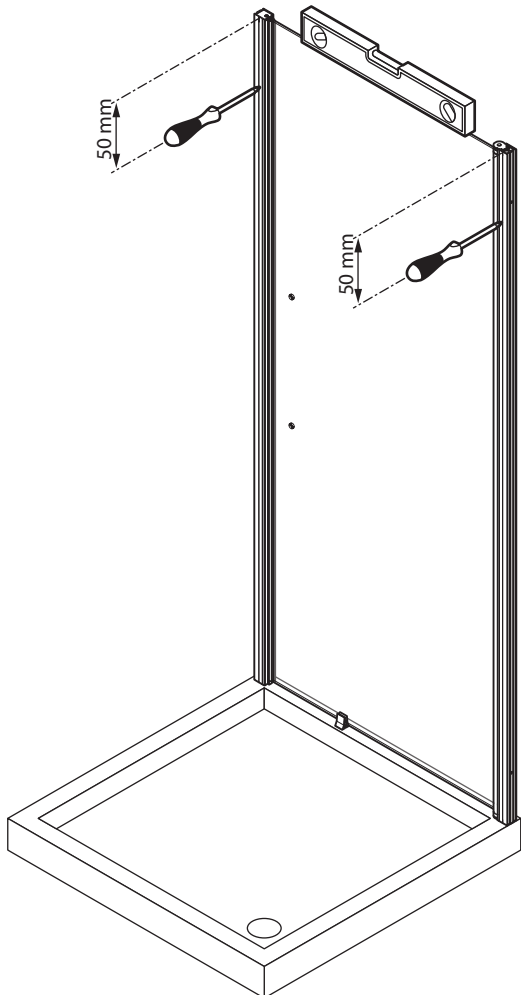
8



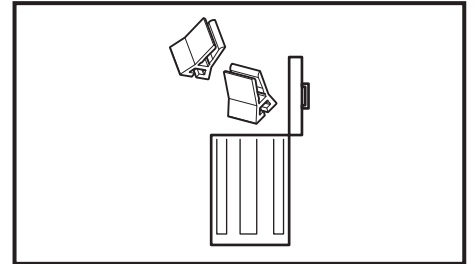
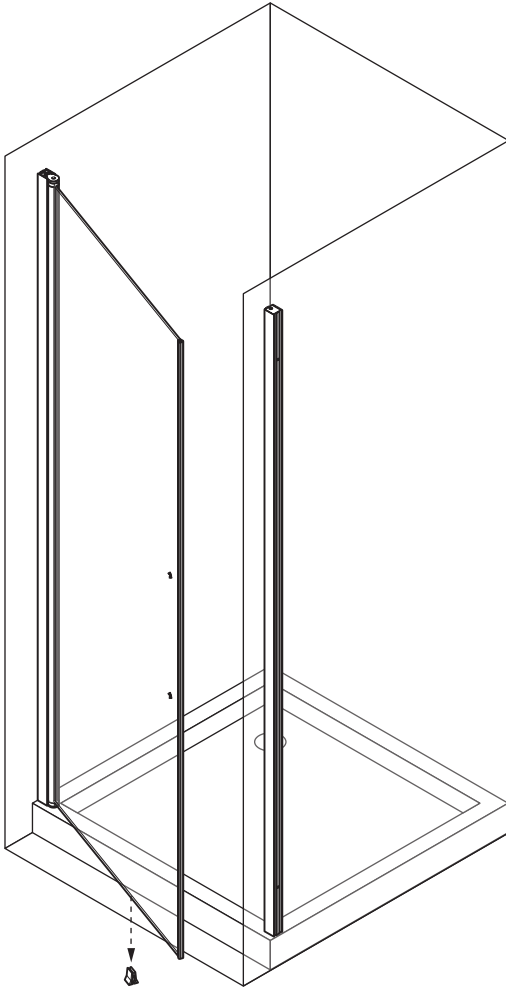
9



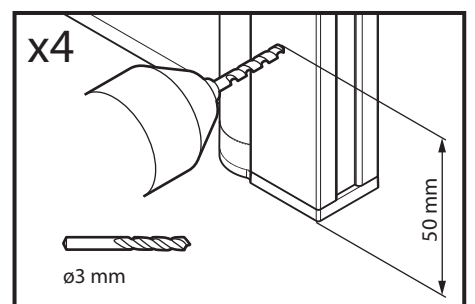
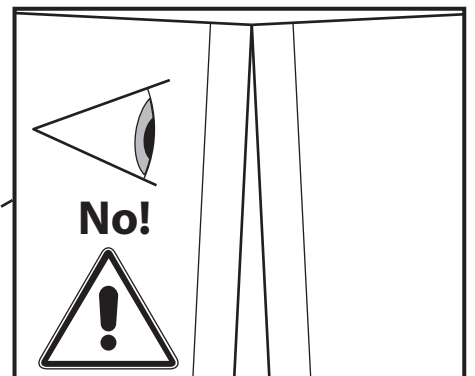
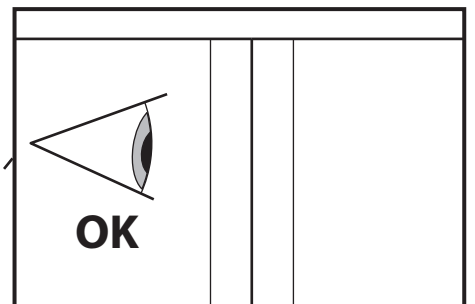
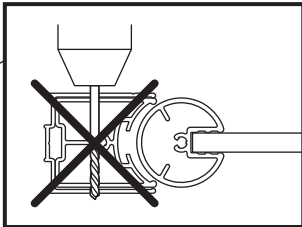
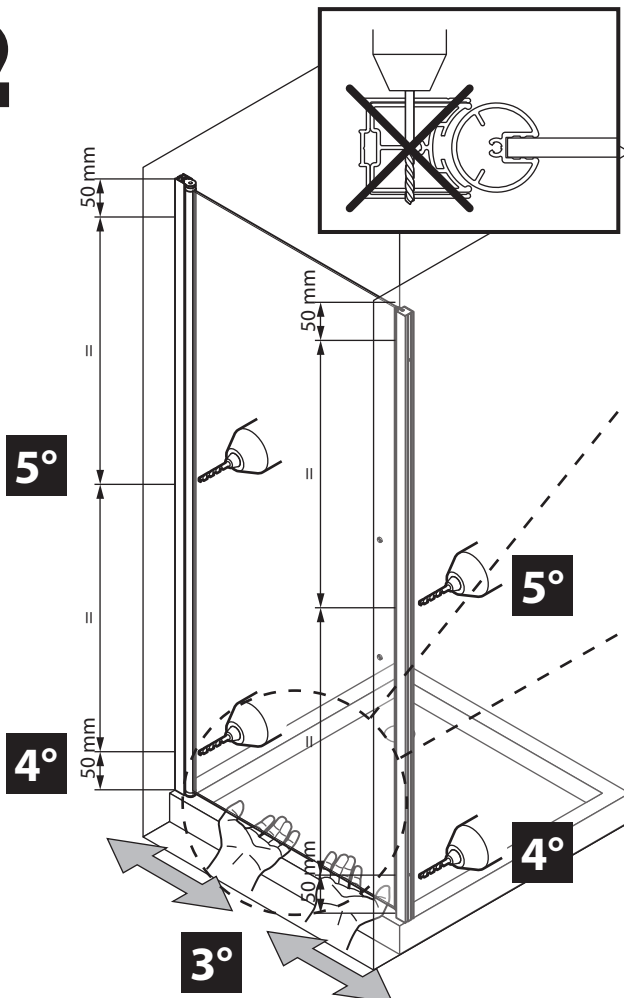
10



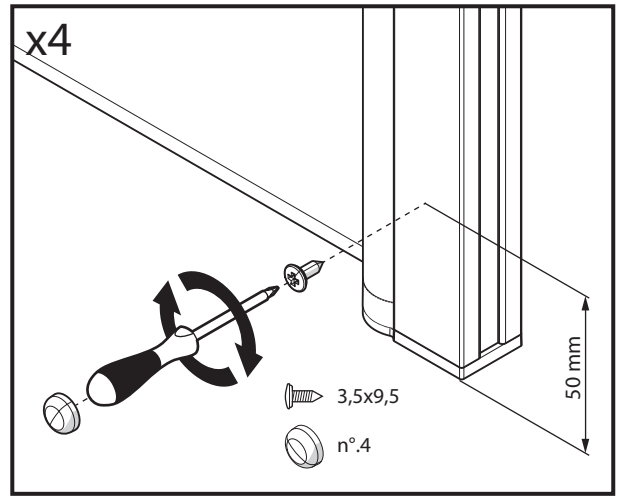
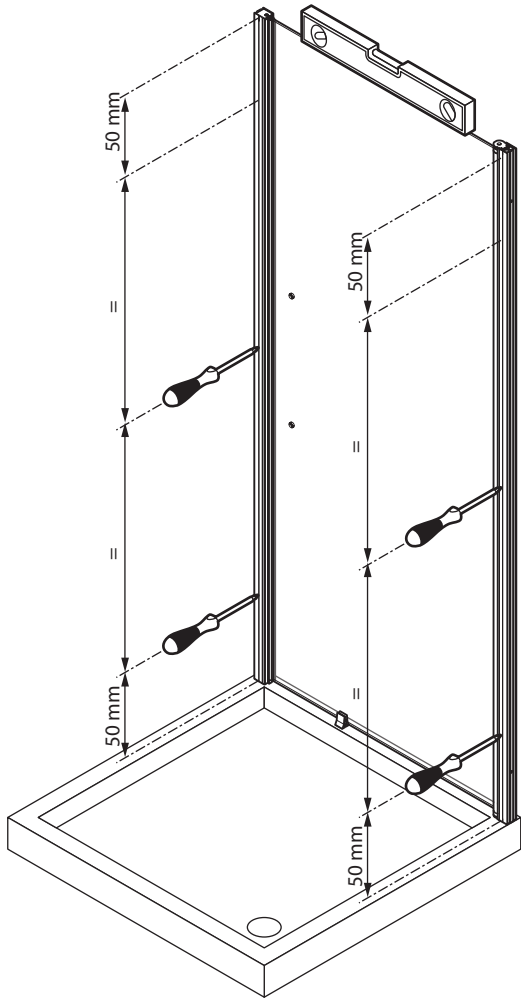
11



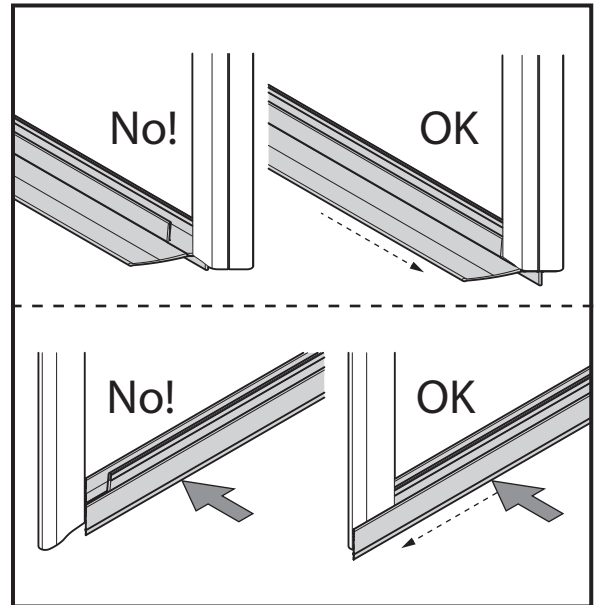
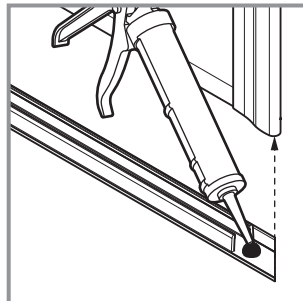
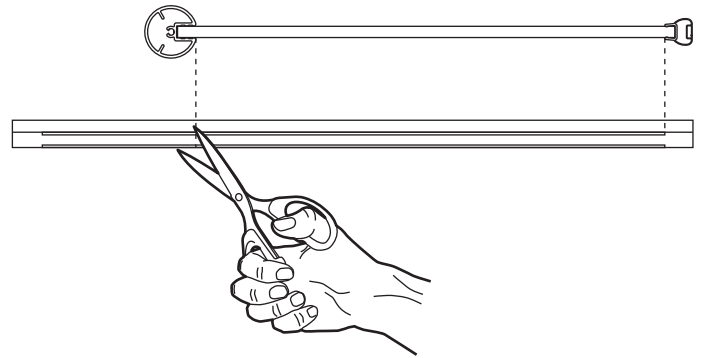
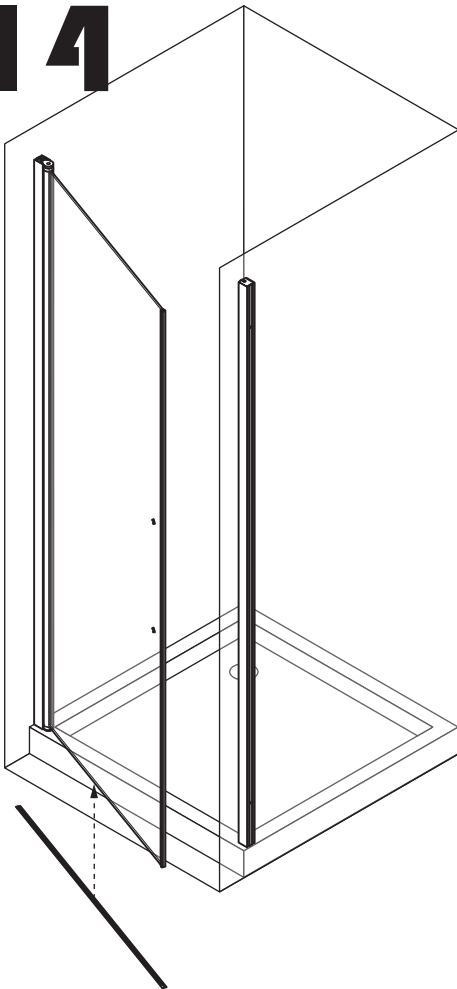
12



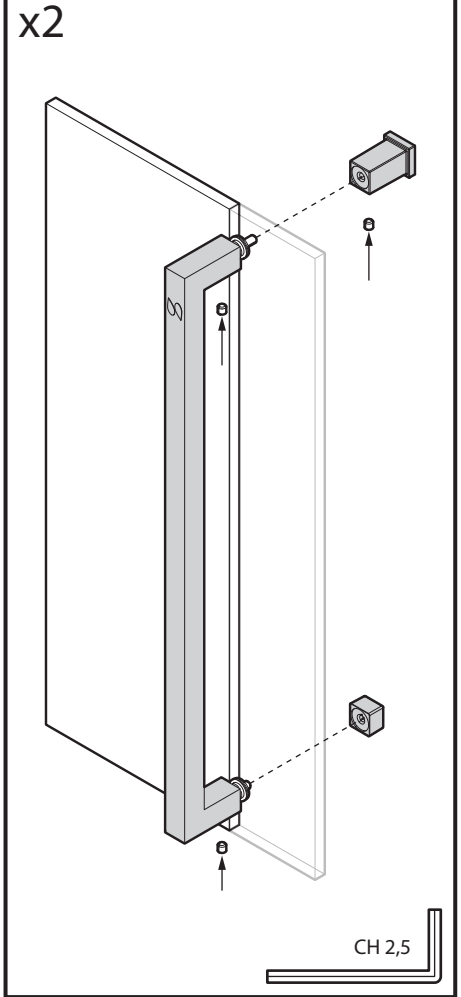
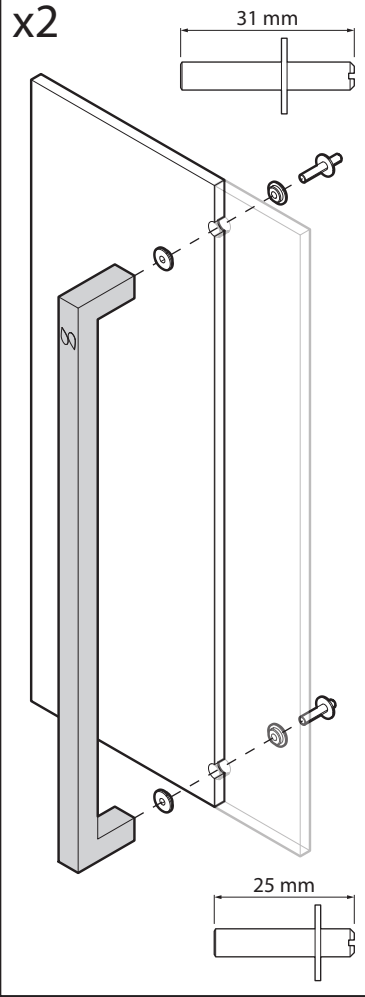
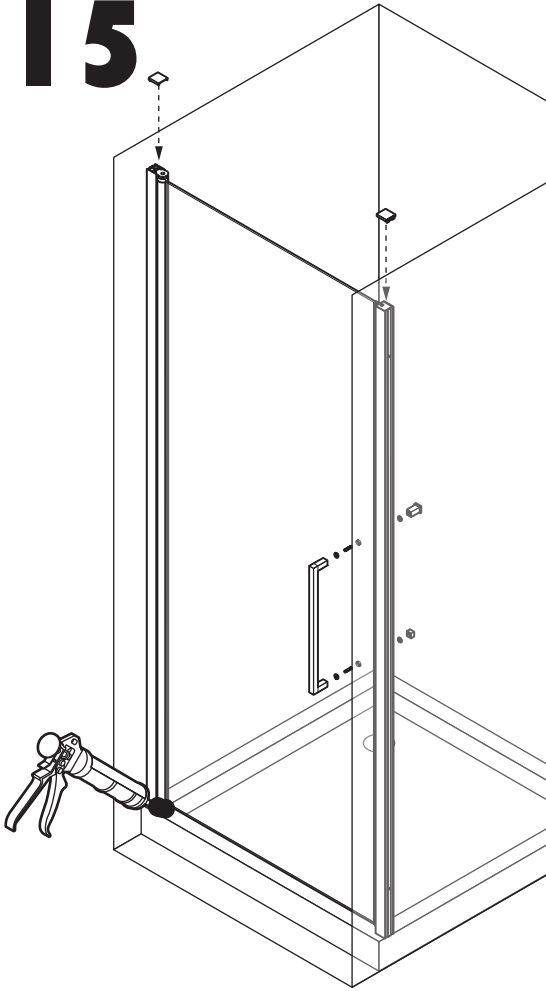
13



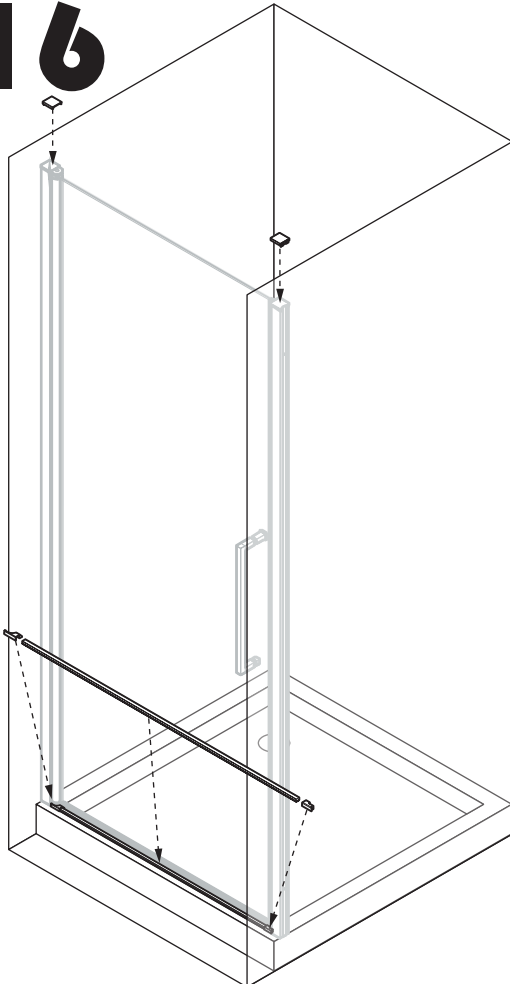
14



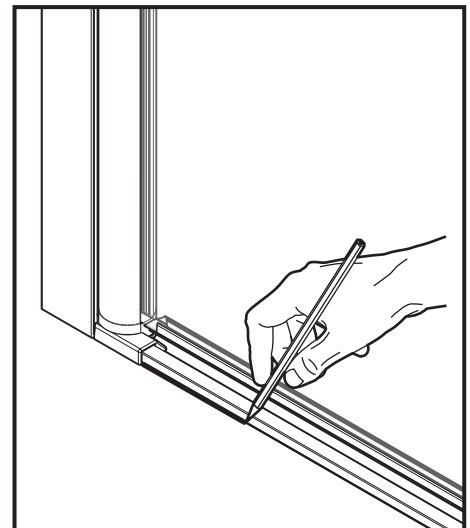
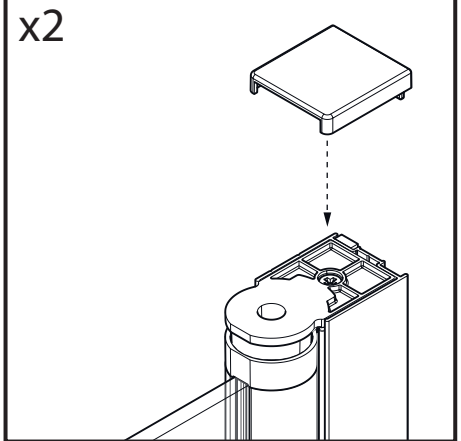
15



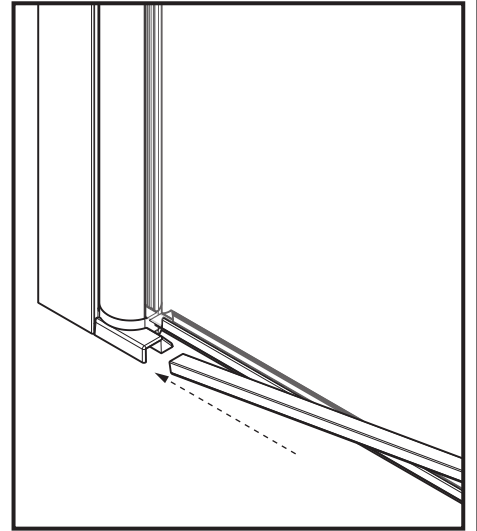
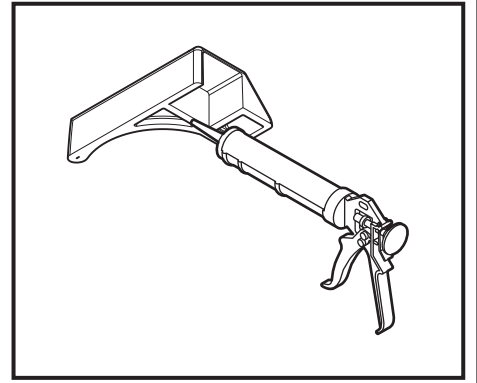
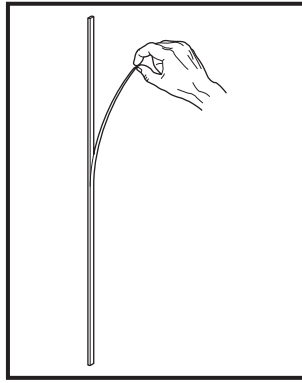
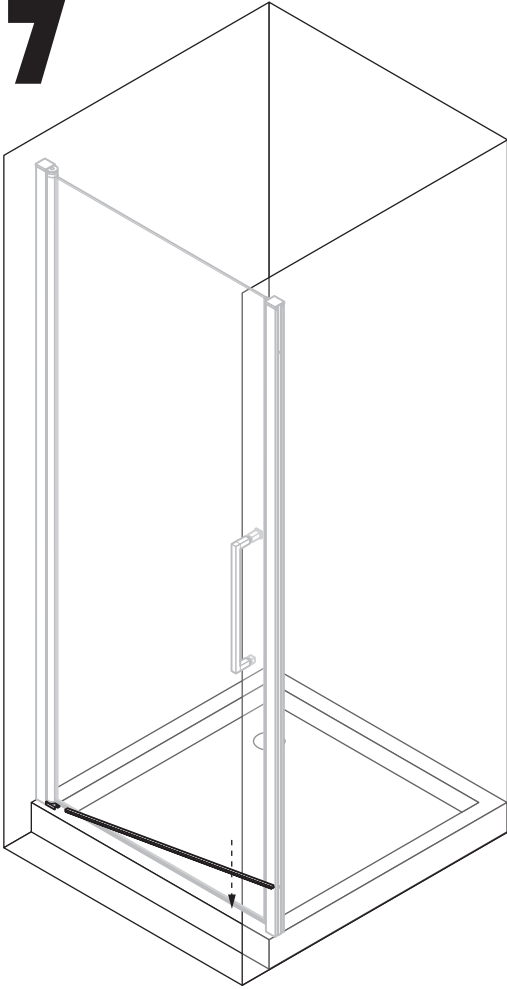
16



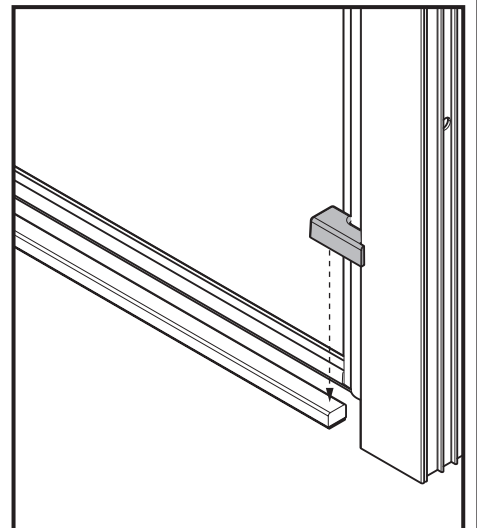
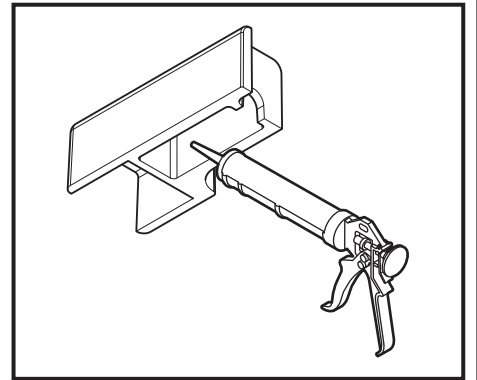
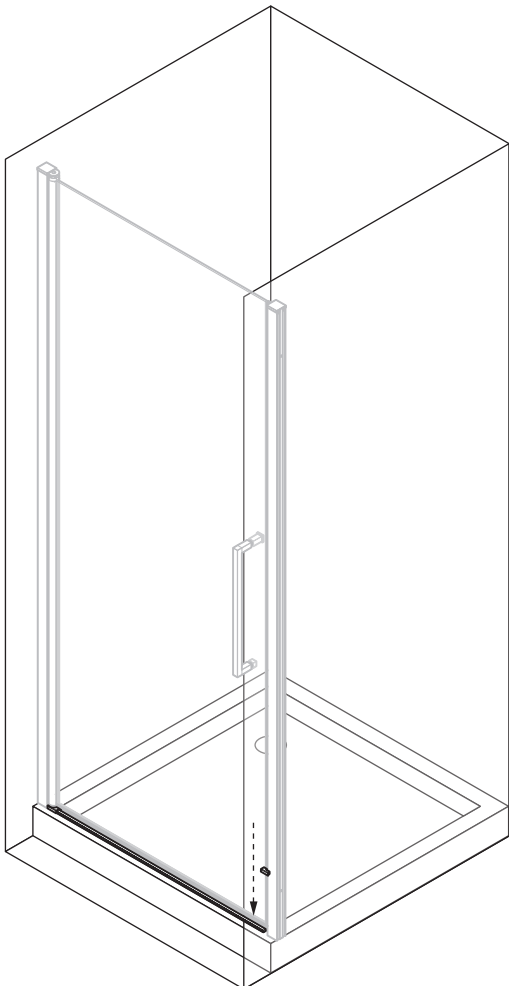
mod. 1B	mm
1B57	458
1B67	558
1B72	608
1B77	658
1B79	678
1B82	708
1B87	758
1B92	808
1B97	858



17



18



19

