


Botanics
Fitting Instructions

Waters

Baths of Ashbourne

Foreword...

Thank you for purchasing a Waters Botanics drop-in bath, It will give you many years of peaceful relaxation, and we hope you don't just have a bath, you Love your bath...



Seb Waters

Prior to installation

Please ensure that your plumbing system is adequate and that you have sufficient space to complete the installation.

Please Note:

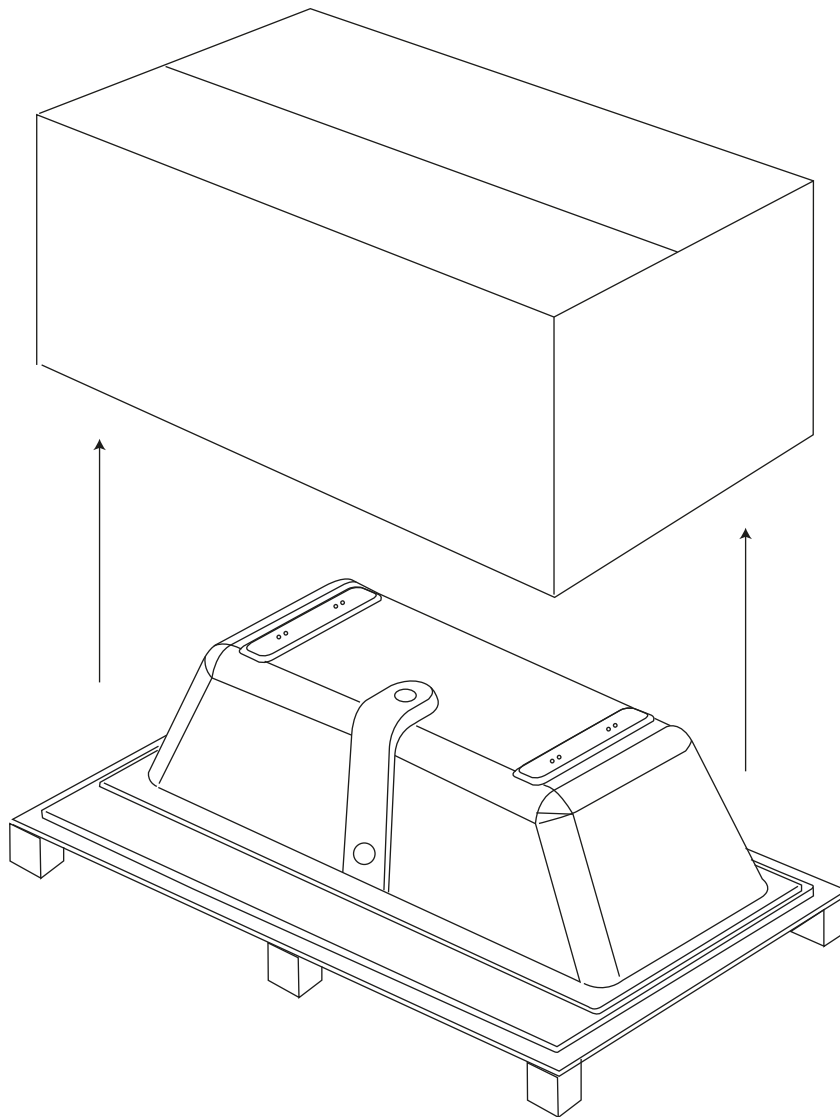
We recommend that you employ a suitably qualified plumbing professional to complete the installation of your new bath. We can not accept responsibility for poor or incorrect installation. Please keep these instructions in a safe place for future reference.

Step 1

Unpackaging...

Carefully open the box at the top, cutting the banding and simply lift the carton off the wooden base revealing the Botanics drop-in bath.

Carefully unwrap all the shrink wrap and foam protection from around the bath. Remove all packaging from the working area although you may find a cardboard sheet useful as installation template.



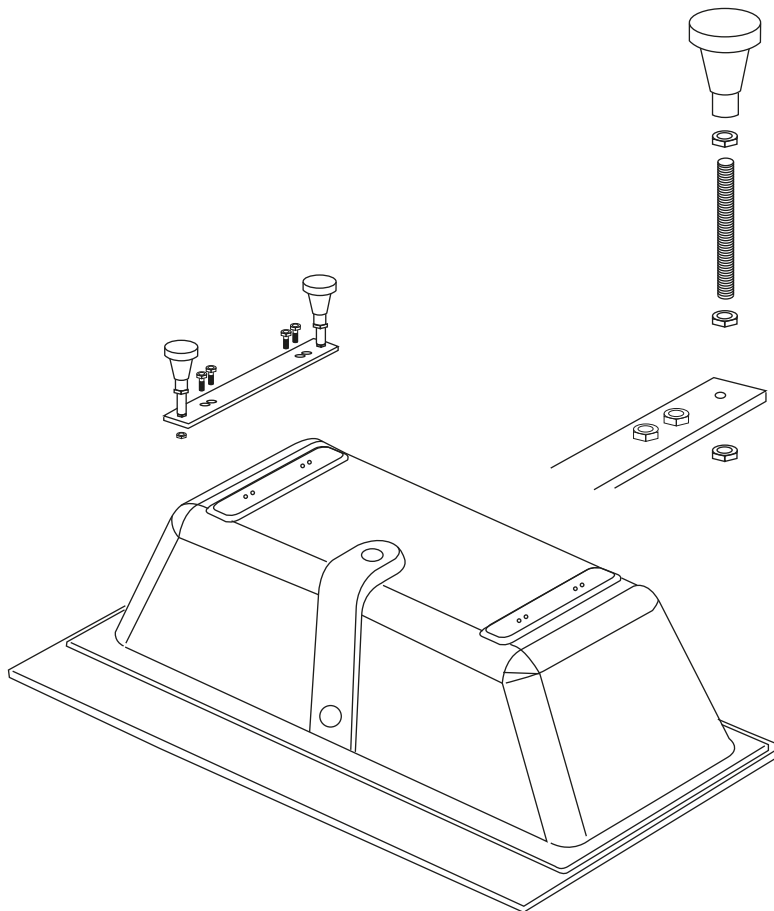
Step 2

Position...

Once unwrapped, carefully check the bath to ensure it is perfect condition before undertaking installation.

Please check you have allowed the correct floor void for your specific bath before installation.

Secure the feet to the foot bar, lift the waste to the bottom of the bath.

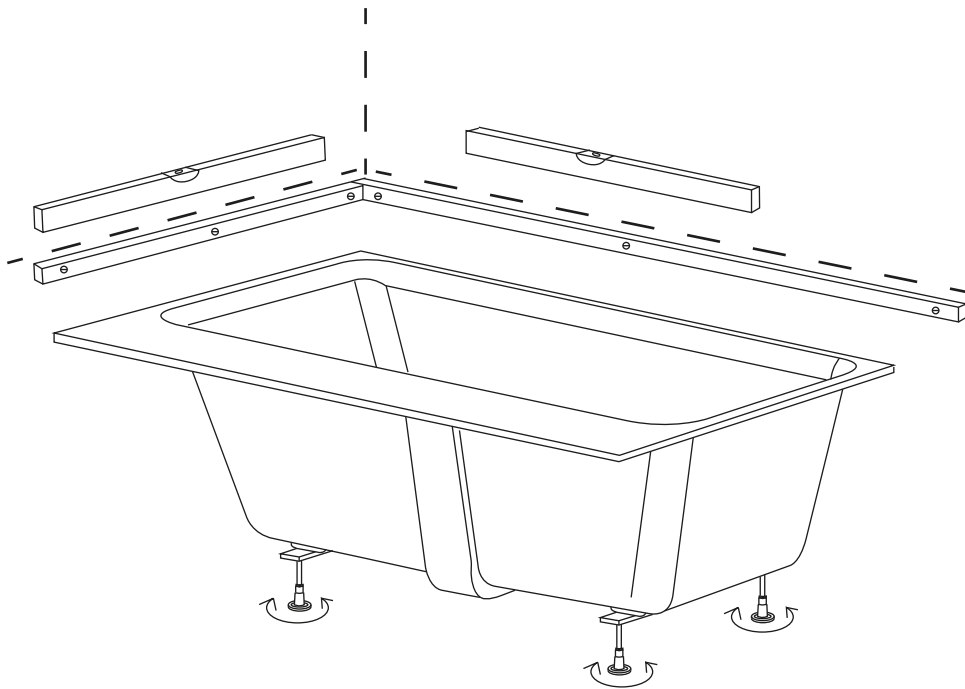


Step 3

Supporting...

To ensure the bath is adequately supported we recommend wall battens are fixed along the length and width of the supporting walls providing top edge support and maximum stability.

Wall battens cradle the structure to help bare the load of the bath in conjunction with the adjustable base mounted feet



Step 4

Levelling...

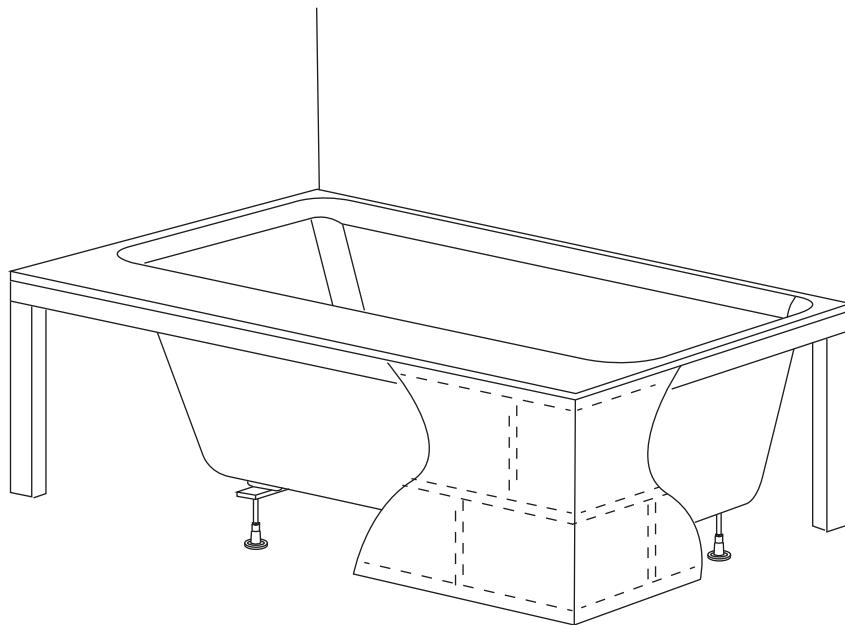
With the bath in its intended position use a large spirit level to check that it is level on both the horizontal and vertical planes.

The bath can be adjusted by twisting the four threaded feet. Only if the bath is level will all the water drain to the waste outlet.

Once the bath is level, tighten the foot adjustment lock-nuts to ensure no further movement.

Ensure you allow for any variation of the floor surface and that the bath has been levelled in its intended final location.

Please ensure a minimum wood battren construction thickness of 50mm



Step 5

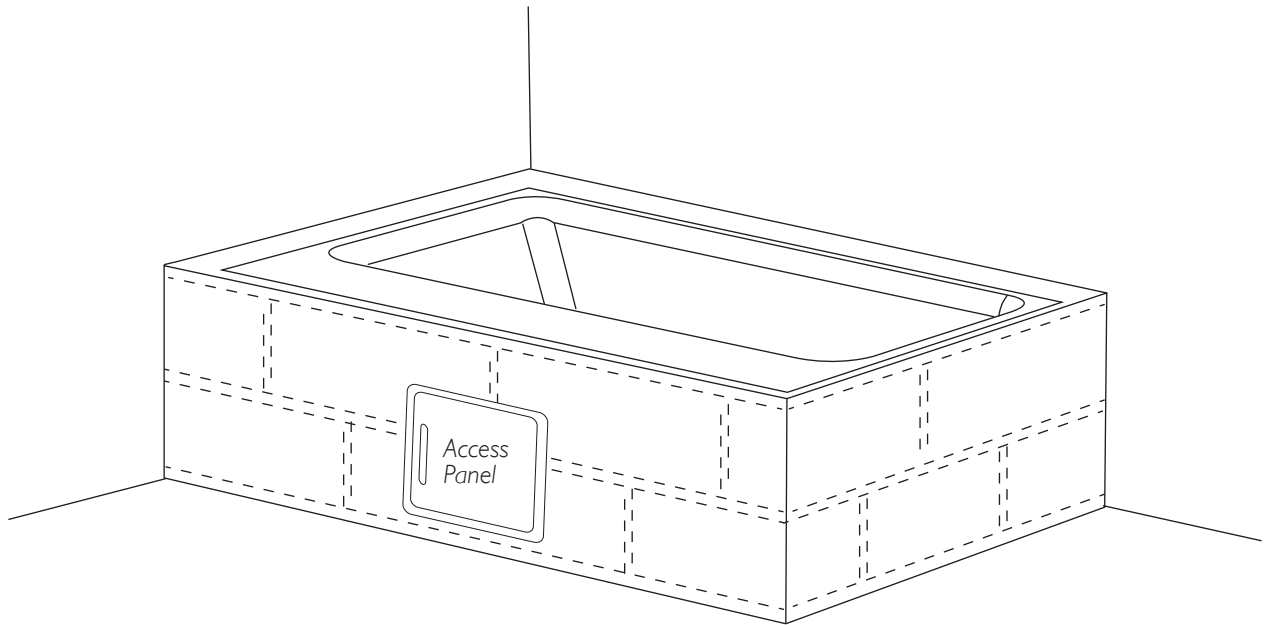
Fixing...

Before final fixing check that the bath is level and connected to the plumbing system, by adding water and ensuring it drains away adequately leaving no pooling and that there are no leaks.

Once checked, half fill the bath to ballast it.

To ensure the best result leave the water in the bath 10 – 12 hours or overnight while the silicone adhesive sets.

We recommend that an access panel is situated near the waste and overflow assembly to allow any future access.



Remember you do not need to fit your bath directly over the soil pipe. It can be positioned in close proximity with the use of a flexible waste pipe.

Care Info

To clean your bath use a soft damp cloth and warm soapy water, household bathroom cleaners may also be used – but you should check their suitability before proceeding.

Do not use abrasive scrubbing materials or harsh chemical cleaners as these may permanently damage the bath's surface and finish.

Warning

Solvents such as paint stripper, hair dye or nail varnish remover will damage or stain the bath.

Warranty

& Guarantees

To demonstrate our confidence in the quality and reliability our products, all Waters Baths of Ashbourne Baths are guaranteed to be free of defects in material and workmanship during use by the original purchaser for a period of 20 years and bespoke paint finishes 2 years from date of purchase.

Subject to the terms contained herein, Waters Baths will, at its discretion, repair or replace any defective product, or refund the purchase price. In no event shall the liability under this warranty exceed the original purchase price of the product. Waste kits and accessories are not covered under this guarantee.

Exceptions.

The guarantee does not extend to:

- *Damage caused by cleaning, maintenance, or installation performed other than strictly in accordance with the information contained in the fitting Instructions;*
- *Damage caused by the use of strong chemicals in cleaning;*
- *Damage caused by the use of strong dyes or colourants*
- *Scratching, or staining of the finish over time due to water impurities or atmospheric conditions;*
- *Damage caused by extreme temperature conditions;*
- *Damage due to installation error, product neglect, misuse, or abuse, accident, or negligence, whether caused by the purchaser, a contractor, or a service provider, or any other cause beyond the sellers control.*

Replacement.

Waters Baths of Ashbourne will replace or repair the installed defective products subject to the following conditions:

- *Any claim is made in writing to our office within 10 days of the problem being apparent;*
- *Any claim is by the original purchaser, this guarantee is not transferable;*
- *The product has been used in the manner that it was intended, this protection does not apply to any products that have been misused in any way;*
- *The product must have been installed and cared for in line with our Installation and care instructions.*

(See Installation and care Instructions for proper cleaning, maintenance, and installation information.)

Making a Claim.

To file a claim, contact Waters Baths of Ashbourne through your supplying retailer or by writing to us at Waters Baths of Ashbourne, Long Lane, Dalbury Lees, Ashbourne, Derbyshire, DE6 5BG. Please be sure to provide all relevant information along with supporting images regarding your claim, including a complete description of the problem, the model name, size and any bespoke finish applied to the product, along with the date and place of purchase. Also include your original invoice. In order to assess any claim, we may have to inspect the product as installed before removal and must be provided with access to the product upon request.

Except as provided herein, seller makes no guarantee of any kind, express or implied, with respect to the product, its merchantability, or fitness for a particular purpose. Seller shall not be responsible for any indirect, incidental, or consequential damages resulting from the delivery, installation, or use of the product.

Before installing the bath please read our installation and care instructions. If you have any questions please contact your supplying dealer or us directly on +44 (0) 1332 824166 or via email on info@watersbaths.co.uk

Hydra

Double-ended



Sizes available:

1800mm x 800mm x 580mm
 1700mm x 750mm x 580mm
 LxWxH (no edge plinth)

Weights:

1800mm - Gross 120kg - Net 90kg
 1700mm - Gross 115kg - Net 85kg

Fill information:



1700	
217	302
Ltrs	Kgs
109	194
Ltrs	Kgs
0	85
Ltrs	Kgs

Note:

The bath is supplied with adjustable legs so the void beneath the bath can be adjusted.

Filler options:

OWF, FSBF, WF, BF, CF.

Single-ended



Sizes available:

1800mm x 800mm x 580mm
 1700mm x 750mm x 580mm
 LxWxH (no edge plinth)

Weights:

1800mm - Gross 119kg - Net 89kg
 1700mm - Gross 114kg - Net 84kg

Fill information:



1700	
201	285
Ltrs	Kgs
101	185
Ltrs	Kgs
0	84
Ltrs	Kgs

Note:

The bath is supplied with adjustable legs so the void beneath the bath can be adjusted.

Filler options:

OWF, FSBF, WF, BF, CF.

Basins



Counter Top:

Size:
 450 x 350 x 135
 - L x W x H

Weights:

Gross 14kg - Net 13kg



Wall Hung

Size:
 525 x 450 x 150
 - L x W x H

Weights:

Gross 21kg - Net 20kg

Filler Option Key: OWF - Overflow waste filler; FSBF - Freestanding bath filler; WF - Wall filler; BF - Bottom filler; CF - Ceiling filler

NB: As our baths are individually hand made dimensions may vary +/- 5%.

Oasis

Double-ended



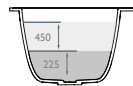
Sizes available:

1800mm x 800mm x 580mm
1700mm x 750mm x 580mm
LxWxH (no edge plinth)

Weights:

1800mm - Gross 118kg - Net 88kg
1700mm - Gross 113kg - Net 83kg

Fill information: 1700



200 Litres	283 Kgs
100 Litres	183 Kgs
0 Litres	83 Kgs

Note:

The bath is supplied with adjustable legs so the void beneath the bath can be adjusted.

Filler options:

OWF, FSBF, WFW, BF, CF.

Single-ended



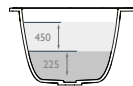
Sizes available:

1800mm x 800mm x 580mm
1700mm x 750mm x 580mm
LxWxH (no edge plinth)

Weights:

1800mm - Gross 115kg - Net 85kg
1700mm - Gross 110kg - Net 80kg

Fill information: 1700



200 Litres	298 Kgs
100 Litres	189 Kgs
0 Litres	80 Kgs

Note:

The bath is supplied with adjustable legs so the void beneath the bath can be adjusted.

Filler options:

OWF, FSBF, WFW, BF, CF.

Basins



Counter Top:

Size:
400 x 400 x 135
- L x W x H

Weight:
Gross 11kg - Net 10kg



Wall Hung:

Size:
525 x 450 x 150
- L x W x H

Weight:
Gross 18kg - Net 17kg

Accessories



Overflow waste

- Suitable for Botanics
- Available in chrome
- OWS-001



Overflow filler

- Suitable for Botanics
- Available in chrome
- FOWS-001

Technical Info...

Here you will find basic technical information on our entire range, for more detailed information please consult our website, discuss your requirements with an approved retailer, or call us directly on 01332 824166.



www.watersbaths.co.uk

Lawns Farm, Long Lane, Dalbury Lees, Ashbourne, Derbyshire, DE6 5BG.
t: 01332 824166 - e: info@watersbaths.co.uk