

Please read these instructions throughout before installing as incorrect fitting will invalidate the guarantee. These instructions must be read in conjunction with the Fixed Deflector Panel installation instructions, if purchased. If you are unsure about these instructions please contact Kudos Shower Products 01539 564040

HEALTH & SAFETY WARNING

DUE TO THE WEIGHT & SIZE OF THE GLASS PANEL(S) A MINIMUM OF TWO PERSONS ARE REQUIRED TO MOVE AND INSTALL THIS ENCLOSURE

IMPORTANT

Check appearance of all product - any defects must be reported to Kudos Shower Products before assembly/installation. Claims for imperfections will only be accepted prior to assembly/installation

Any claims made under the terms of the Lifetime Guarantee must be reported to Kudos within 21 days of the fault occurring

Check the enclosure adjustment sizes are suitable for your installation

Use care when drilling into the walls to avoid hidden pipes or electric cables

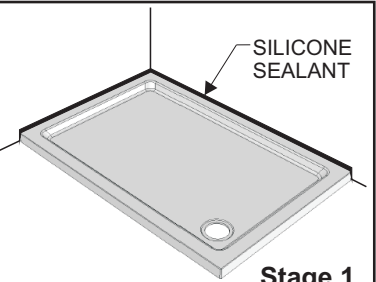
TOOLS REQUIRED

Pozi-head Screwdriver
Tape Measure
Spirit Level
Hacksaw
3mm Allen Key - *supplied*
Mains or Battery Drill
6mm Drill Bit
Pencil
Sealant Gun
Silicone Sealant - *we recommend clear silicone*
Wall fixings - *fixings supplied are for masonry use only*

SHOWERTRAY - if installing

Ensure the top of shower tray is **LEVEL** in **ALL** directions

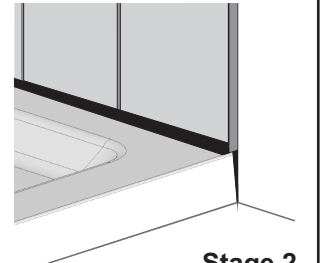
Once the tray is installed but **before** the wall tiles are fitted, any gap between the tray and the walls **must** be filled with silicone sealant flush with the top of the tray.



Stage 1

Once the walls have been tiled but **before** the enclosure is installed, the tiles **must** be silicone sealed to the tray all of the way around in one continuous bead.

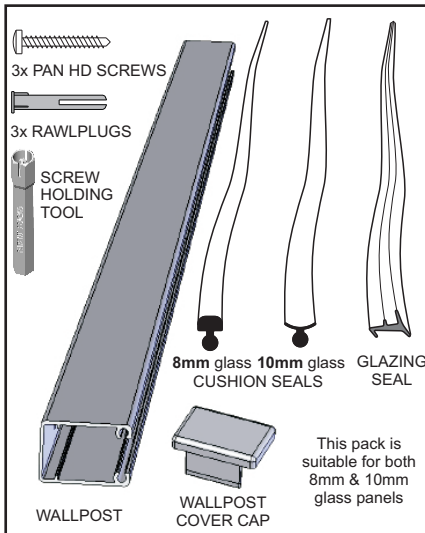
Failure to follow these instructions will result in leakage problems



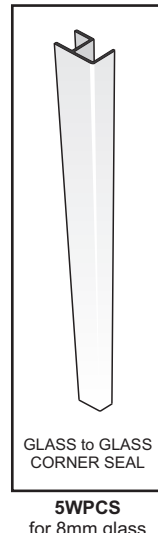
Stage 2

GLASS and COMPONENT PACKS

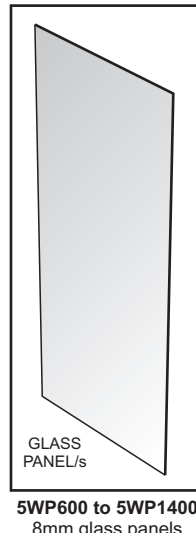
Please check to ensure that you have the correct packs for your installation before commencing work.



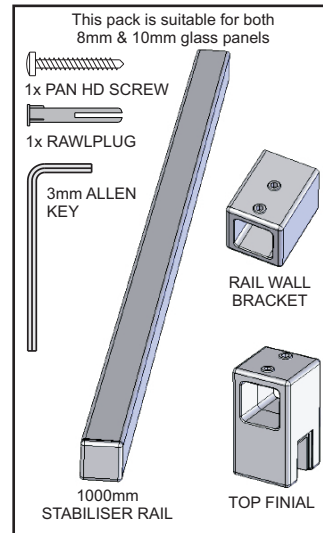
WALLPOST PACK
10WPK



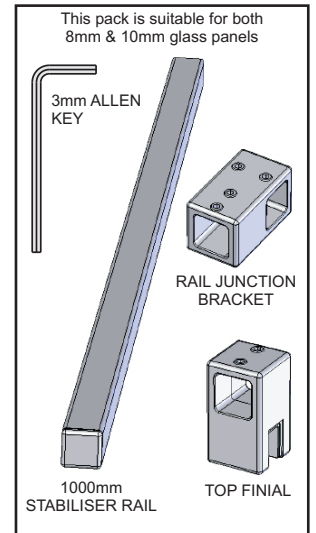
GLASS to GLASS
CORNER SEAL
5WPCS
for 8mm glass
10WPCS
for 10mm glass



GLASS
PANEL/s
5WP600 to 5WP1400
8mm glass panels
10WP600 to 10WP1400
10mm glass panels



This pack is suitable for both
8mm & 10mm glass panels
1x PAN HD SCREW
1x RAWLPLUG
3mm ALLEN
KEY
1000mm
STABILISER RAIL
TOP FINIAL
FRONT PANEL COMPONENT PACK
10WPFPFK



This pack is suitable for both
8mm & 10mm glass panels
3mm ALLEN
KEY
1000mm
STABILISER RAIL
TOP FINIAL
SIDE PANEL COMPONENT PACK
10WPSPFK

CLEANING - general

For the wall post and fixings use only warm soapy water and damp cloth/sponge on a regular basis. After cleaning please rinse with clean water to remove any residue.

Do not use abrasive scouring powders, chemicals or aerosol cleaners - these may result in damage to the surfaces, in particular, the plated component parts.

See instruction opposite for glass cleaning advice.

**THESE INSTRUCTIONS ARE TO BE LEFT
WITH THE CONSUMER**

KUDOS LIFESHIELD GLASS TREATMENT

The glass panels are pre-treated with Life Shield on the inside surfaces only. Whilst this makes cleaning the glass easier and helps prevent the build up of harmful lime-scale and soap deposits, the glass still needs to be maintained on a regular basis. We recommend the use of a detergent and aroma free glass cleaner (A 50/50 mix of white vinegar and water works well)

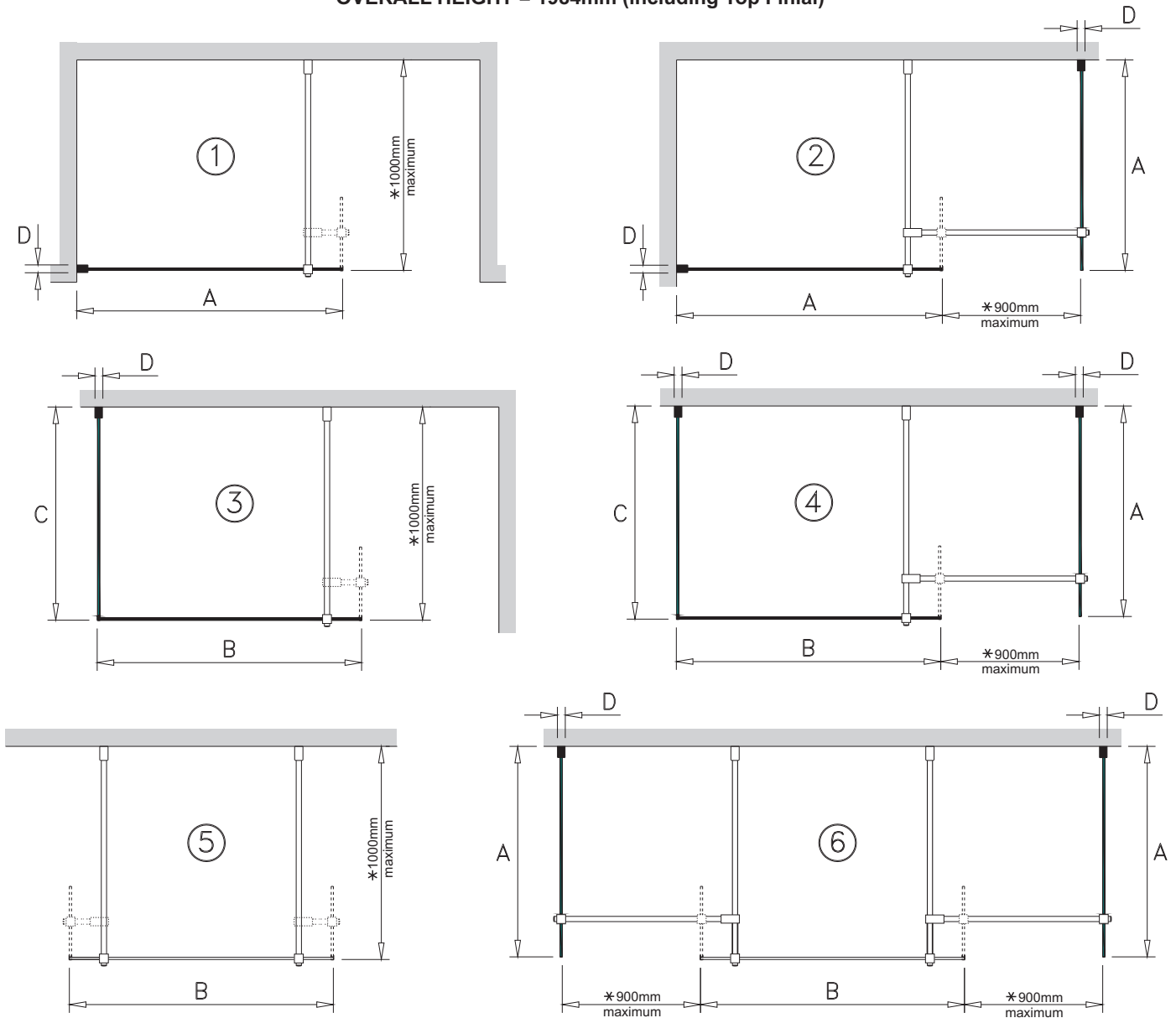
DO NOT use strong detergents, abrasive cleaners or abrasive scrubbing equipment for cleaning, these can damage the coating.

DO use a squeegee to remove remaining droplets of water from glass after showering, any build up of residue can be removed easily using an appropriate cleaner and agitation from soft cleaning equipment

CONFIGURATIONS AND SIZES

PRODUCT Glass Panel (nominal size)	PRODUCT CODE		DIMENSIONS mm			
	8mm glass	10mm glass	A	B Actual Glass Width	C	D
600	5WP600	10WP600	560 - 580	555	572 - 592	24
700	5WP700	10WP700	660 - 680	655	672 - 692	24
760	5WP760	10WP760	720 - 740	715	732 - 752	24
800	5WP800	10WP800	760 - 780	755	772 - 792	24
900	5WP900	10WP900	860 - 880	855	872 - 892	24
1000	5WP1000	10WP1000	960 - 980	955	972 - 992	24
1100	5WP1100	10WP1100	1060 - 1080	1055	1072 - 1092	24
1200	5WP1200	10WP1200	1160 - 1180	1155	1172 - 1192	24
1400	5WP1400	10WP1400	1360 - 1380	1355	1372 - 1392	24

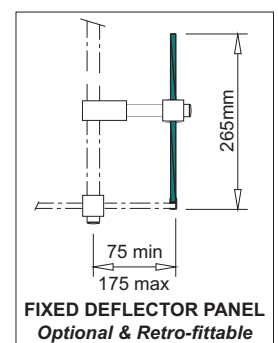
OVERALL HEIGHT = 1984mm (including Top Finial)



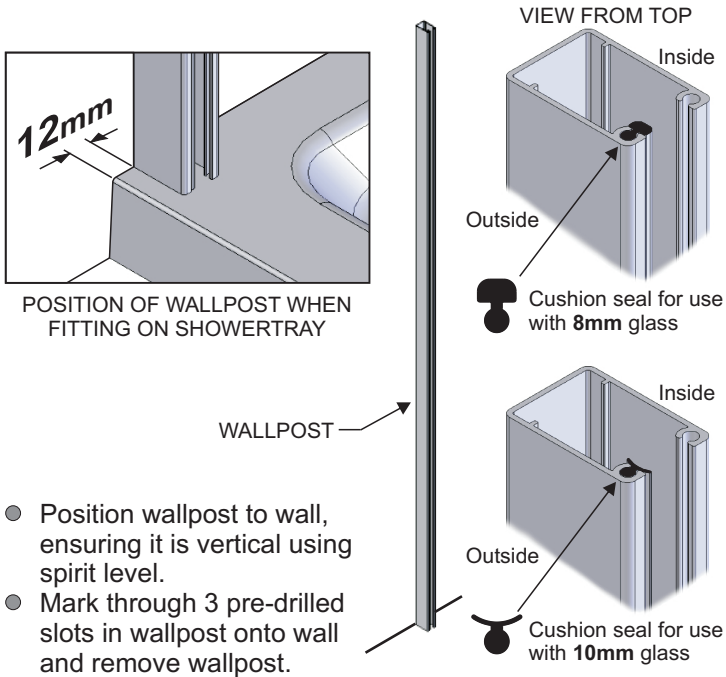
Please take note of dimensions shown on this page, if not adhered to, installation of standard stabiliser rail(s) will not be possible.

All panels are unhandled and can be installed to give left-hand and right-hand access. For clarity purposes, only right hand access configurations are shown, where applicable.

* This dimension is based on using the standard 1000mm long stabiliser rail in the Front & Side Panel Component Packs. This dimension can be increased by a further 500mm by using the special 1500mm long stabiliser rail, 10WP1500SR, purchased separately through your retailer.



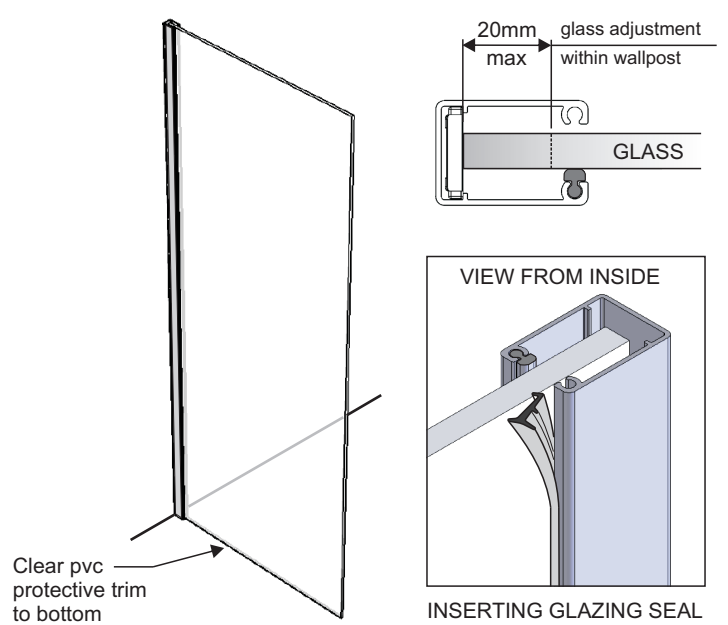
FITTING WALLPOST TO WALL



- Position wallpost to wall, ensuring it is vertical using spirit level.
- Mark through 3 pre-drilled slots in wallpost onto wall and remove wallpost.
- Using 6mm drill bit, drill holes in walls to marks made and fit rawplugs supplied or fixings suitable for the construction of the wall.
- Fix wallpost to wall using 3x no.8's x 30mm long pan-hd screws provided - use screw holding tool to aid location.
- Insert correct size cushion seal to front side of wallpost as shown - the obsolete cushion seal can be discarded.

TIP Apply a bead of silicone sealant around bottom & centre holes made in wall before fixing wallpost to wall.
Wipe cushion seal with clean water to ease fit, cut off excess length after fitting.

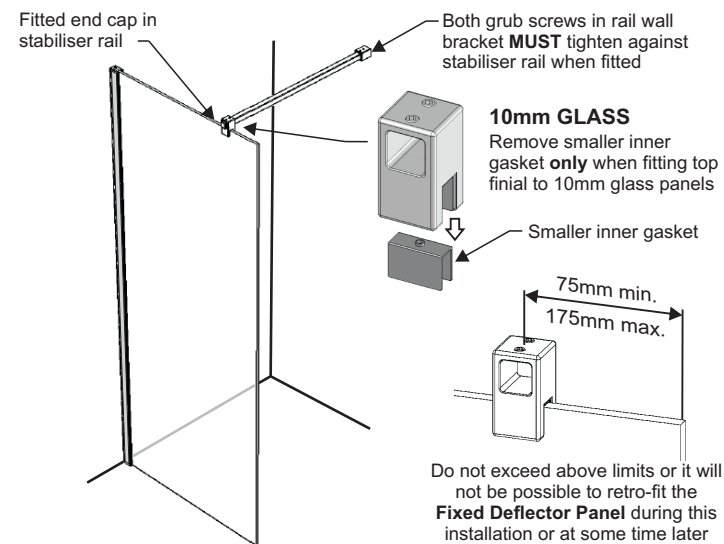
FITTING GLASS PANEL



- Glass panels are factory fitted with a clear pvc protective trim to the bottom edge - this edge **MUST ALWAYS BE FITTED TO FLOOR / SHOWERTRAY**.
- Ensure that the glass surface treated with LIFESHIELD faces to **INSIDE** of shower enclosure - see label on glass.
- Carefully fit glass panel into slot in wallpost, ensuring panel is square to wall.
- Secure panel by inserting glazing seal, starting at top and working downwards, trim excess length.

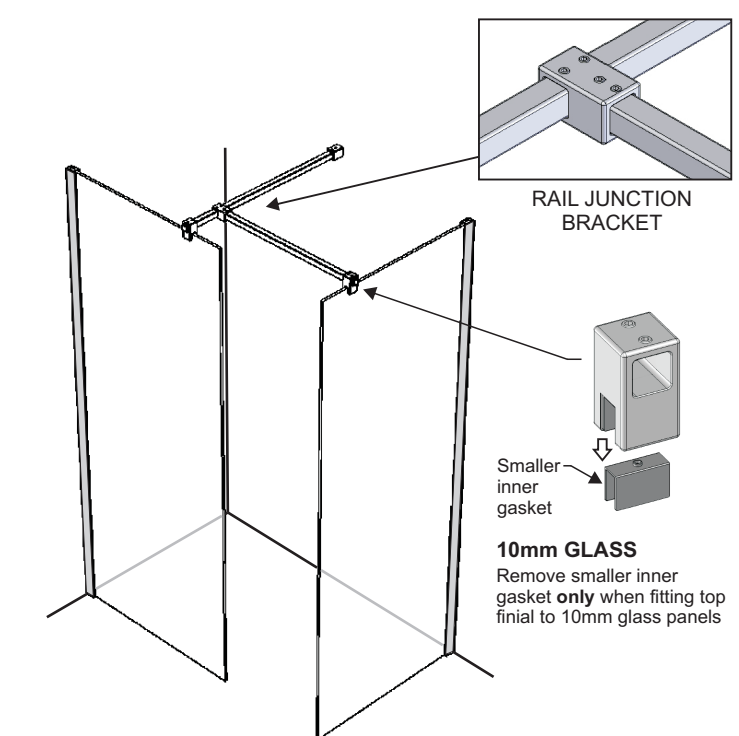
TIP If tight, lubricate glazing seal with water. Do not stretch seal when inserting, because, after cutting to length, the seal will shrink and leave a gap.

FITTING FRONT PANEL COMPONENT PACK



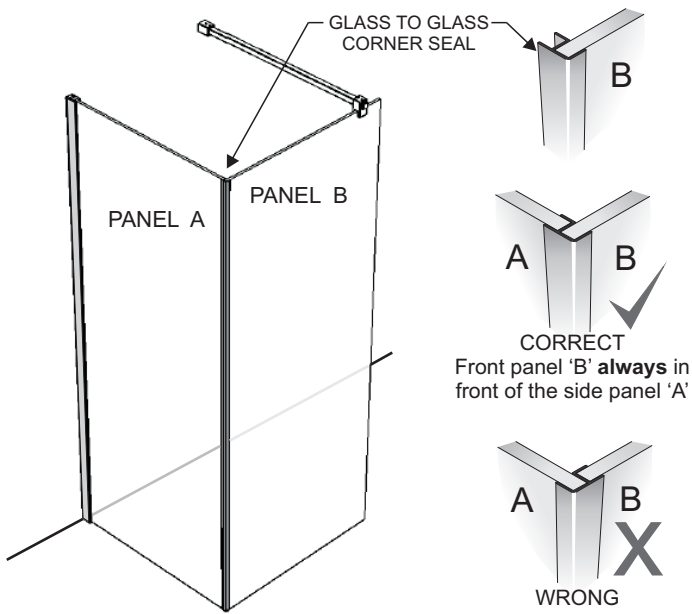
- Fit top finial to top edge of glass panel and secure in position by tightening screw (to inside face) using 3mm allen key supplied - see diagram above when fitting to 10mm glass
- Carefully slide stabiliser rail through top finial and mark position of rail to back wall - please ensure that rail is both level and square to wall.
- Find centre of mark on wall, drill (6mm) and fit rawplug.
- Fix rail wall bracket to wall using screw provided, ensuring the grub screws are facing upwards.
- Slide rail through top finial and **fully** into wall bracket, measure length protruding from top finial and cut rail to length using hacksaw. Cut opposite end to fitted end cap.
- Secure rail by tightening top grub screws in top finial and 2x grub screws in wall bracket using 3mm allen key.

FITTING SIDE PANEL COMPONENT PACK



- Fit 2nd wallpost and 2nd glass panel as described previously.
- Fit rail junction bracket to front stabiliser rail, ensuring grub screws face upwards.
- Fit top finial to 2nd glass panel.
- Cut rail, if necessary, as previously described. Secure rail in position by tightening all grub screws.

FITTING GLASS TO GLASS PANELS

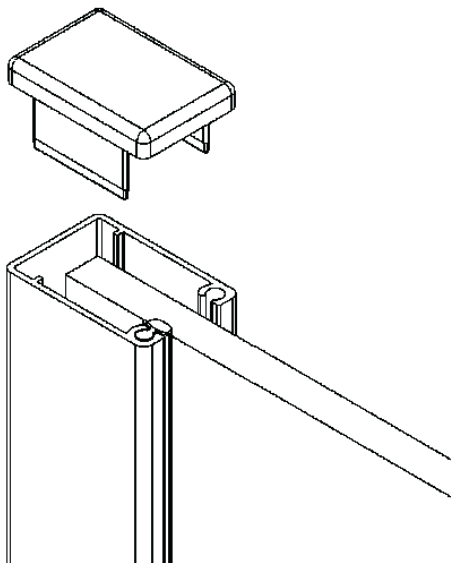


- Fit wallpost and first panel (A) to wall, as previously described
- Fit glass to glass corner seal to edge of second panel (B), ensuring seal is level with top & bottom of glass panel
- Carefully offer up second panel to first panel, ensuring the fitted corner seal lines up with edge of first panel at the bottom
- Ensuring second panel is square to first panel, push fit corner seal onto edge of first panel
- Corner seal must be **fully inserted** onto both panels
- Fit front panel component pack to second panel (B)



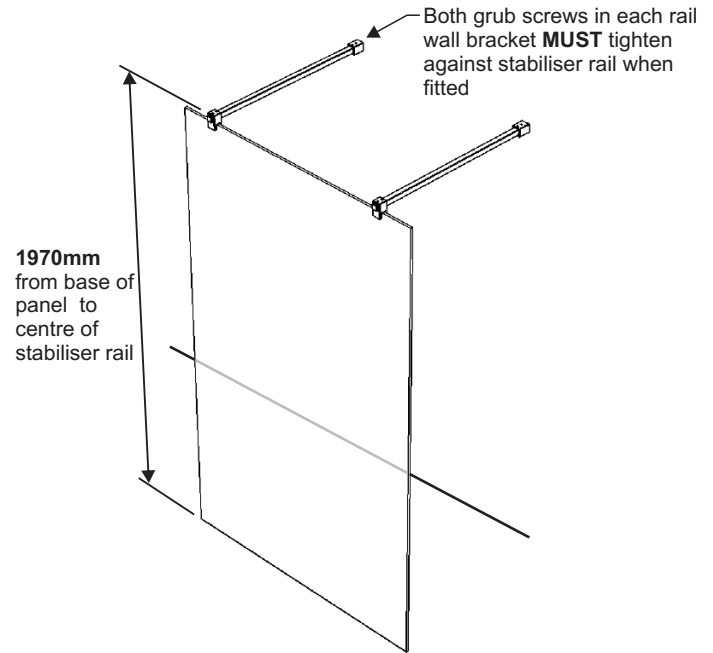
TIP If tight, lubricate corner seal and glass edges with a damp **CLEAN** cloth to ease fitment - the water will evaporate over a short period. **DO NOT USE** silicone spray or any other substance other than water, these will not fully dry out and will compromise the grip and rigidity of the joint

FITTING WALLPOST COVER CAPS



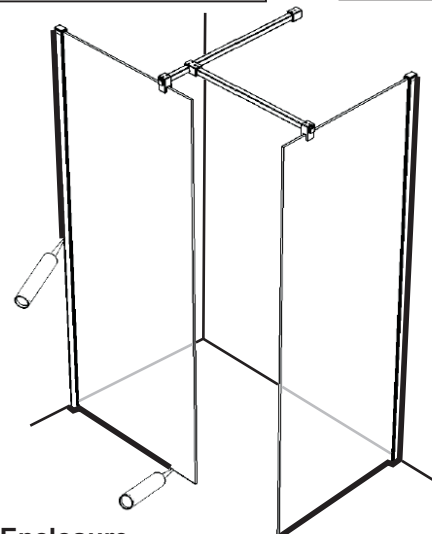
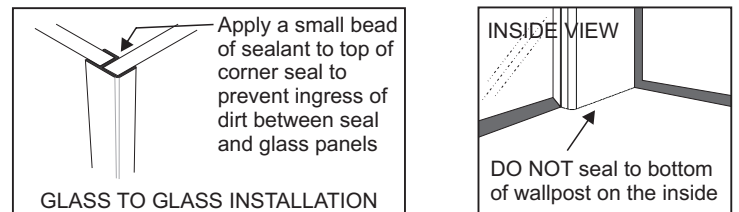
- Position top cover cap over wallpost profile and press down to secure.

FITTING GLASS PANEL FOR DOUBLE ENTRY



- Caution must be observed when fitting this configuration.
- After fitting the 2x component packs and securing the base of the panel with silicone sealant, no physical contact must be made with the enclosure until the silicone sealant has fully cured - this also applies should a deflector panel(s) is to be fitted
- **As stated on the front cover of these instructions, a minimum of two persons are required to install this enclosure range**

APPLYING SILICONE SEALANT



OUTSIDE Enclosure

Seal glass panels to floor/showertray, seal wallposts to wall & floor/showertray

INSIDE Enclosure

Seal glass panels to floor/showertray, seal wallposts to wall, DO NOT seal bottom of wallpost to floor/showertray

Allow 24hrs for silicone to fully cure before using the enclosure