

INSTALLATION GUIDE



PIVOT DOOR SIDE PANEL

IMPORTANT

Thank you for choosing Merlyn. Please familiarise yourself with the fitting instructions before commencing fitting.

1. Check that you have the tools required.
2. Check the installation site is compatible with size of door supplied
3. Check all the enclosure components.
4. Check the installation kit is complete

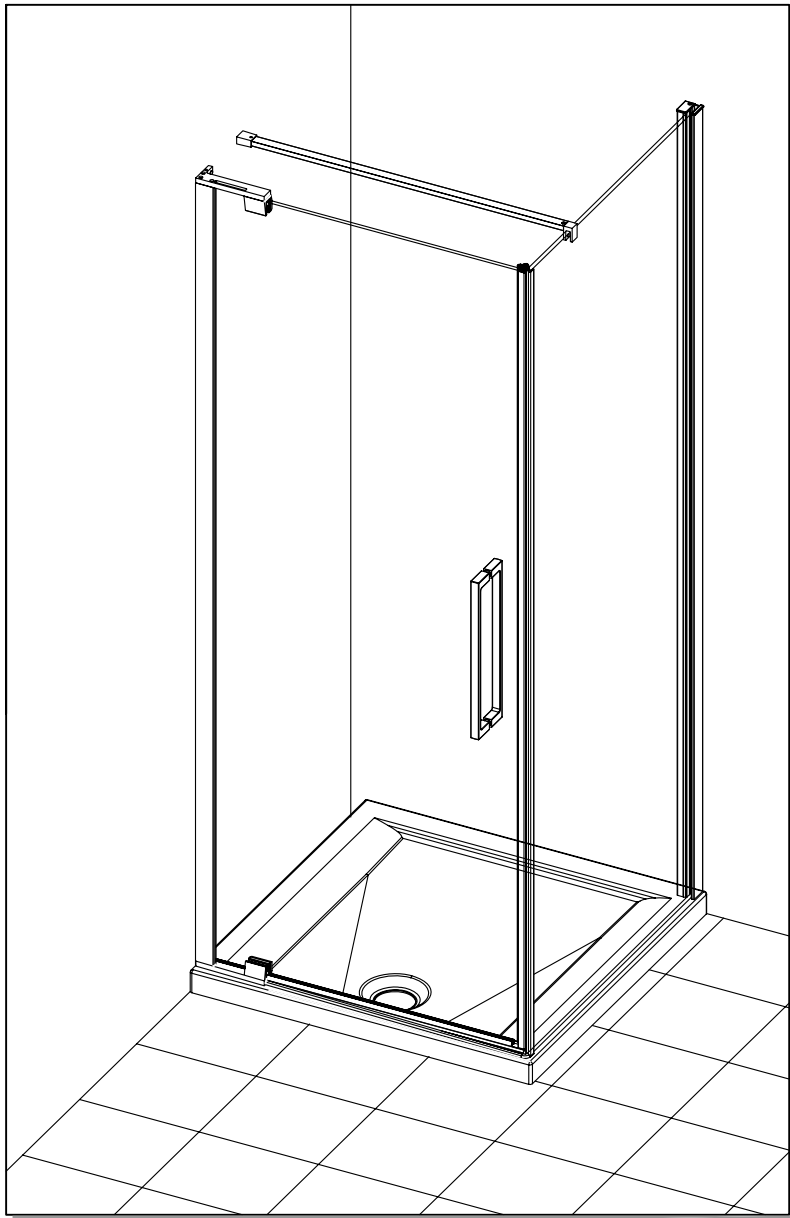
DO NOT attempt to install the product unless you can tick ALL 4 boxes as satisfactory.

The wall plugs supplied with the installation kit are for use in solid walls. Hollow or 'stud-partition' walls will require alternative fixings. Please consult a hard ware supplier for the correct type.

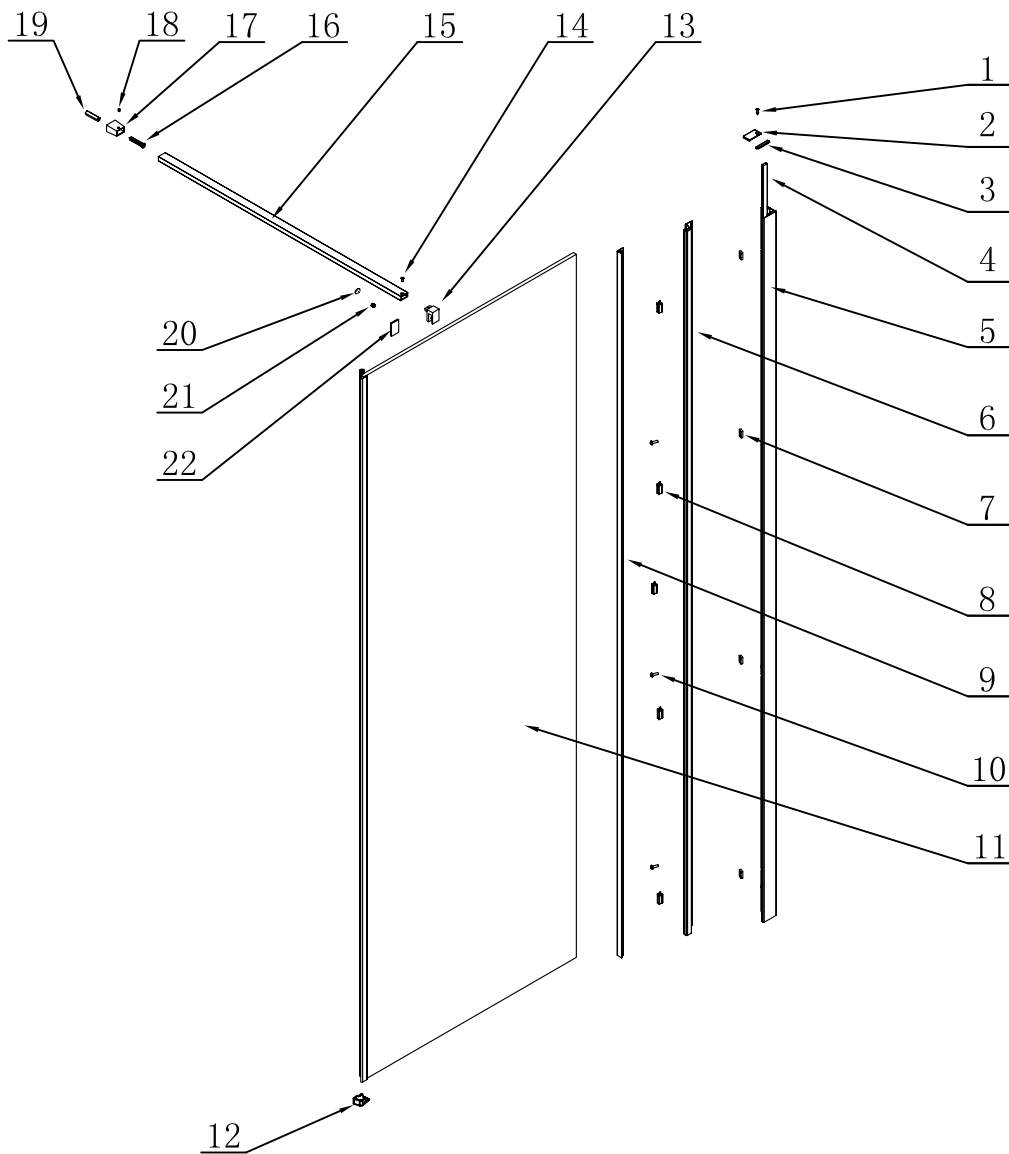
It may also be necessary to consult your tiling supplier about the correct method for drilling your tiles.

USE SAFETY EYEWEAR WHEN DRILLING

Any parts missing or damaged must be reported to your supplier within 5 days of purchase. Inspect shower enclosure before fitting, No claims will be acceptable after product has been installed.



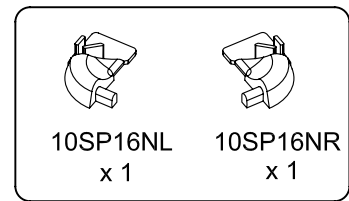
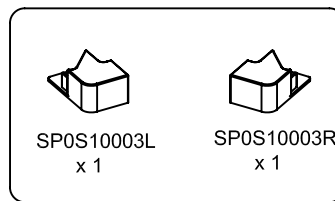
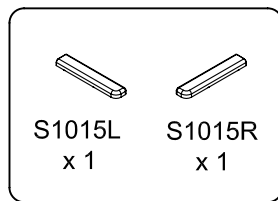
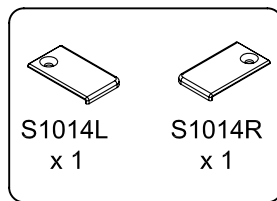
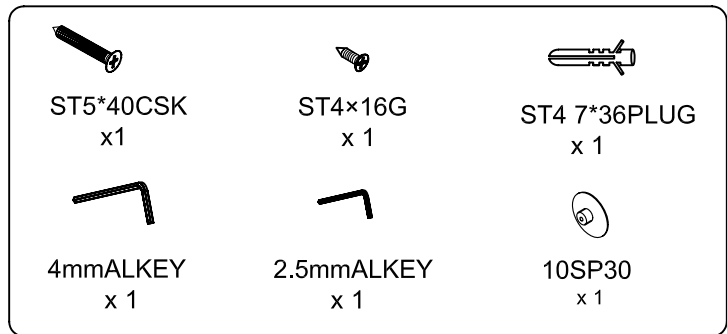
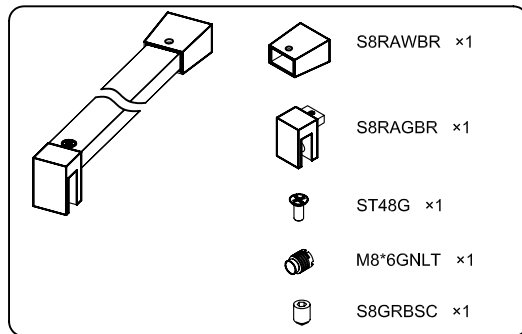
COMPONENTS AND BOX CONTENTS



No.	Description	QTY	Part No.	No.	Description	QTY	Part No.
1	ST4*16 countersunk screw	1	ST4*16G	12	Side panel footplate	1	S10003
2	wall profile top inner cap(L/R)	1	10S14 L/R	13	Rail glass bracket	1	S8RAGBR
3	wall profile top outside cap(L/R)	1	10S15 L/R		Complete rail 1000 - includes 13,14,15,16,17,,18,19 20,21,22		S8RA1000
4	Seals in wall profile	2	10S07P2000	14	Rail bracket screw	1	ST48G
	Wall profile complete 10mm 2000 - includes 1,2,3,4,5,6,7,8,9,10	1	S8RA1000	15	Rail	1	S8RA1000
5	Pivot wall profile - outer	1	10S01AP2000	16	Rail wall fixing screw ST5*40	1	ST5*40CSK
6	Pivot wall profile - inner	1	10S02AP2000	17	Wall bracket	1	S8RAWBR
7	M5 square nut	4	10S22	18	Wall bracket grubscrew	1	M5*10HHCS
8	Nylon clip	5	10S27	19	Wall plug 7*36	1	ST4 7*36PLUG
9	Pivot wall profile cover strip	1	10S03AP2000	20	Screw cover cap for top rail	1	10SP30
10	Wall profile clamping screw	4	M5*16R	21	Rail glass bracket grubscrew	1	M8*6GNLT
11	Side panel	1	A	22	Rail bracket washer	1	S8GBWSER

Note: Further part details for fixing kit available on page 2

Fixing Kit Components



Note: For square luna rail use footplate S10003L/R, for curved luna rail use 10SP16NL/R.

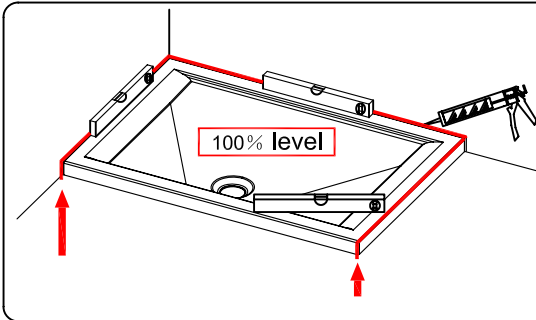
Tools Required

- 6mm and 7mm masonry drill bit
- Power drill
- Quality Silicone
- Pencil
- Tape Measure
- #2 Philips head screw driver
- Spirit level with horizontal and vertical level indicators

IMPORTANT - Installation site

1. Ensure the top surface of the shower tray on which the enclosure will be installed is level in every direction.
2. The tiles or other wall finishing should be effectively sealed at tray edges.
3. Tiles should extend at least to the corner of the tray and a minimum of 2.1 meters from top of the tray.

PROCEDURE



TRAY MUST BE 100% LEVEL IN ALL DIRECTIONS

Ensure the shower tray is level in all directions and is properly sealed to the wall. The wall must be tiled down to the top edge of the tray. **Do not angle out bottom tile.**

TRAY MUST BE SEALED FULLY AROUND WHERE THE TRAY MEETS THE WALL.

Step 1.

Please refer to step 1 – 6 in the Pivot Door instruction **BUT** instead of a 20mm step in – **USE A 30mm STEP IN TO THE PIVOT WALL PROFILE!**

Step 2.

Step the side panel wall profile **10SWSPSET** in 30mm from the front edge of the shower tray.

Step 3.

Ensure the wall profile is plumb. Mark the position for fixing the wall profile to the wall. **IMPORTANT** – Must mark the centre of all slots in the wall profile as the extra will be needed for adjustment later on.

Step 4.

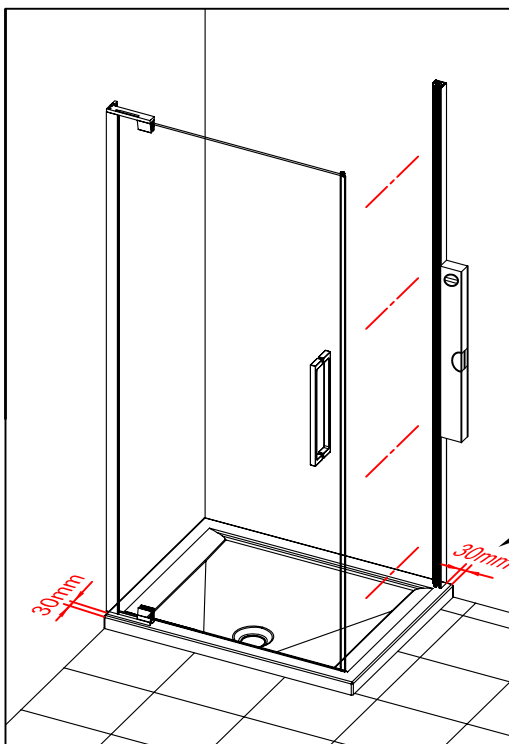
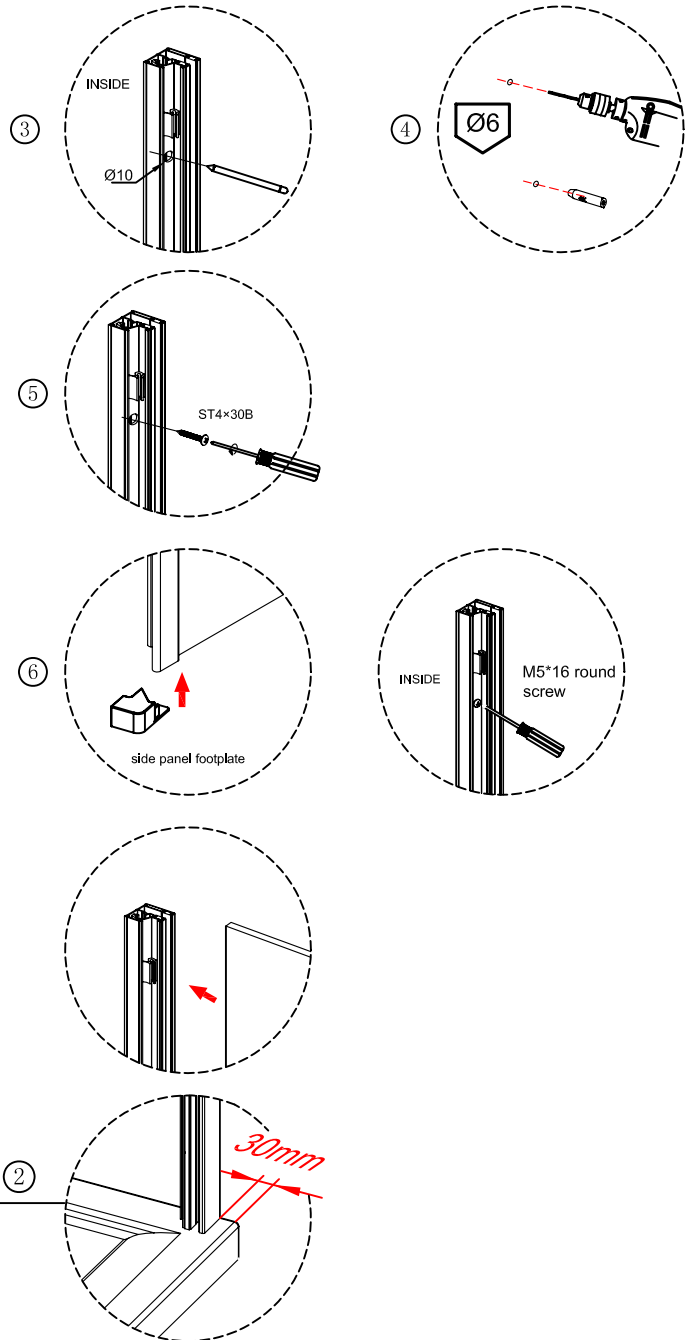
Drill hole (**THROUGH THE CENTRE OF THE SLOTS**) with 6mm masonry drill bit and insert wall plugs **6*30WSER**.

Step 5.

Fix the wall profile to the wall through the centre of the slots with screws **ST4*30B**.

Step 6.

Fit the side panel footplate **SPOS10003L/R** to the bottom of the magnetic strip on the side panel and insert the panel into the wall profile.



Step 7.

Place one end of the luna rail fully into the footplate SP0S10003L/R. Line up the other end with the pivot bracket, mark, remove rail and cut off any excess if necessary. Apply dab of silicone to the end of the bracket and place luna rail back into footplate. Position the footplate tight to the pivot bracket.

Step 8.

Position the glass space over the luna rail near the magnetic strip and close the door so it rests on top. The spacer allows for the glass to be adjusted in the pivot Block. **Tip** – May need to loosen the pivot block hex screws **M14*10HHGR** first with the 5mm Hex key so door sits on the spacer – hold the door handle when doing this.

Step 9.

From the inside, loosen the top and bottom pivot block Hex screws using the 5mm hex key. Adjust out the moving panel and side panel until they align correctly. Ensure the luna rail and the side panel are parallel to the edge of the tray. Retighten the wall profile clamping screw **M5*16R** and clip luna rail onto the side panel footplate **SP0S10003L/R**.

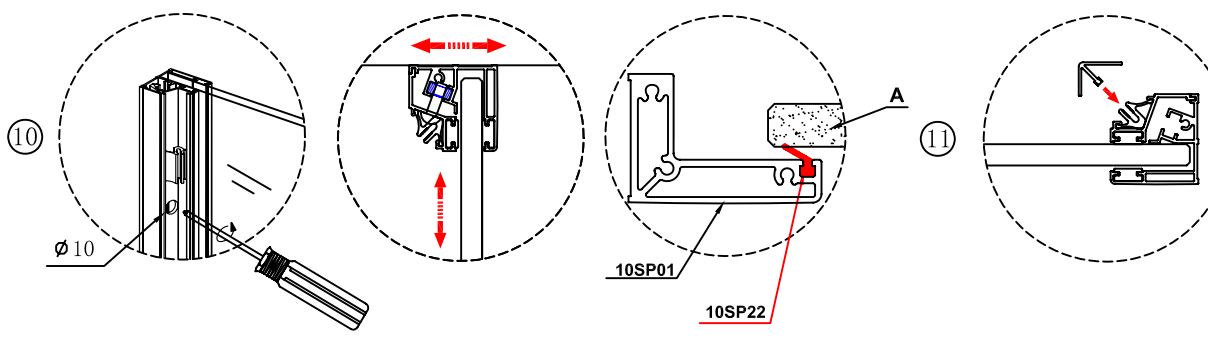
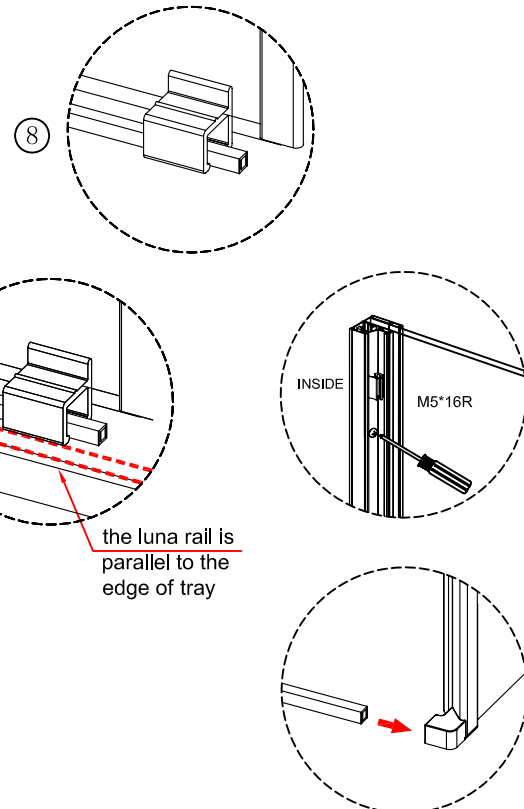
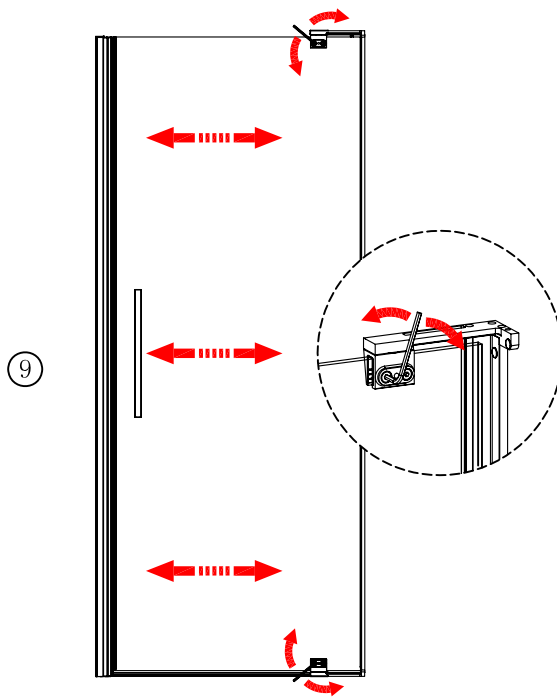
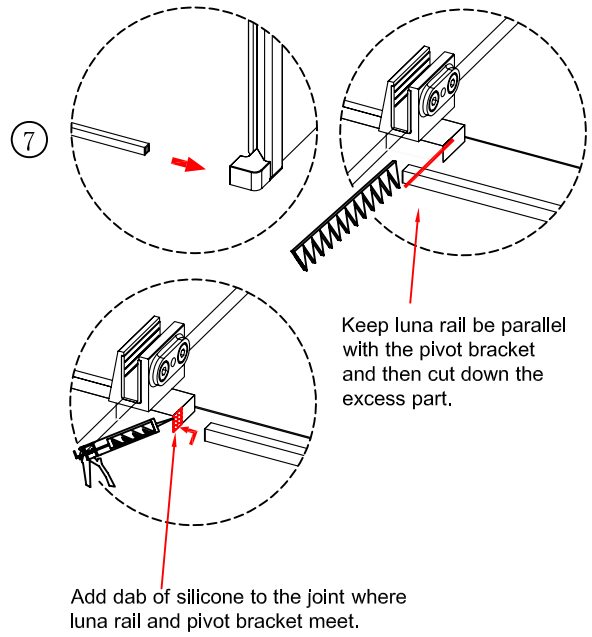
Step 10.

The Pivot wall profile and side panel wall profile can be adjusted where fixed to the wall to close any gaps between the magnets. Adjust side panel wall profile first.

IMPORTANT: After adjusting, ensure the back of the door side panel seals against the upright fin on the pivot wall profile.

Step 11.

Retighten the pivot block hex screws with the 5mm Hex key (**VERY IMPORTANT - DO NOT OVERTIGHTEN**) and fix cover strip **10S03AP2000**.



Step 12.

Remove the glass spacer.

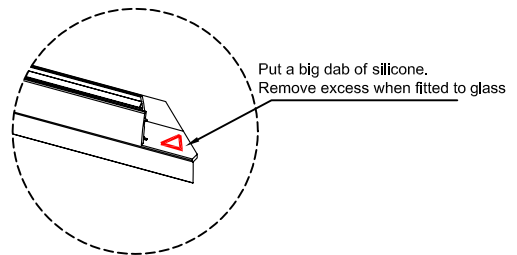
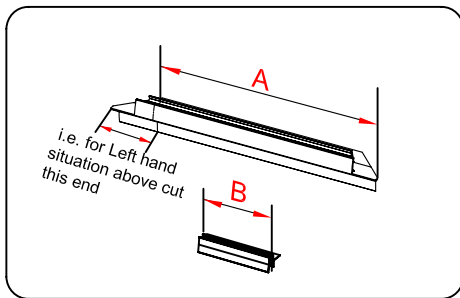
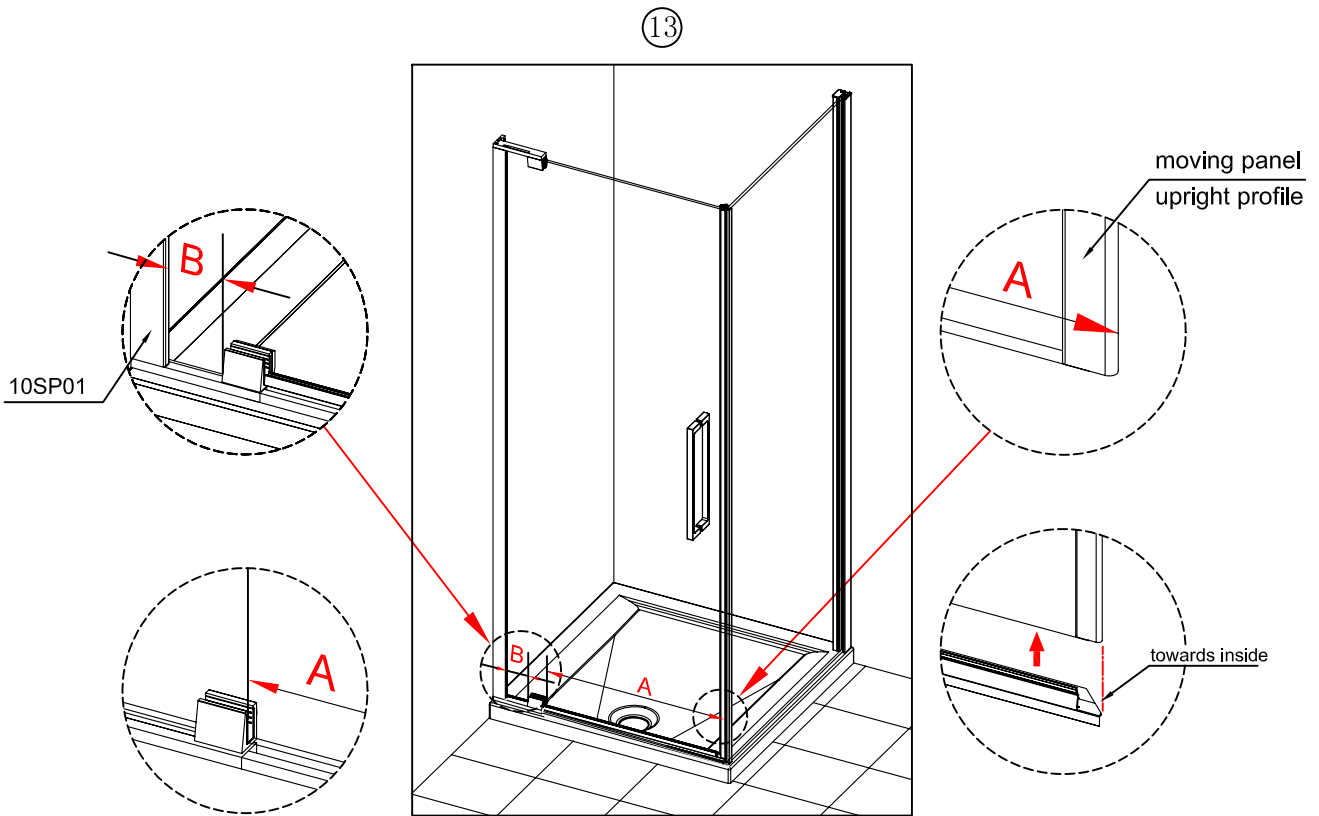
Step 13.

To get the correct seal length, on the outside, measure from the outside of the magnetic strip on the moving panel to the edge of the bottom pivot block – Dimension A. Cut the bottom seal to this length – **DO NOT CUT THE SEAL TOO SHORT AND DO NOT CUT THE INCORRECT END (DIE CUT IN THE SEAL GOES UNDER THE MAGNETIC PROFILE ON THE DOOR)** (Dimension A should be to the outside of the magnetic profile not just the glass area!!)

Cut the short seal from the other side of the pivot block to the pivot upright profile – Dimension B.

NOTE: Keep the angled deflector Fin on the seal towards the inside.

IMPORTANT - Put a dab of silicone on the end of the seal where it sits under the magnet.



Step 14.

Position the glass bracket **S8RAGBR** onto the side panel ensuring all washers are present.

Step 15.

With the wall bracket **S8RAWBR** on the rail, level and mark position for the bracket on the wall.

NOTE: Ensure the back of the door panel does not hit the rail when being opened.

Step 16.

Remove the bracket and mark position for fixing to the wall.

Drill hole with 7mm masonry bit and insert wall plug **ST4 7*36PLUG**. Fix the wall bracket to the wall with screw **ST5*40CSK**.

Reposition rail into the wall bracket and onto the side panel. Secure into wall bracket with 2.5mm Hex Key. Fix to side panel using screw **M8*6GNLT** with 4mm hex key and cover the cap **10SP30**. **Note** - Do not over tighten.

Step 17.

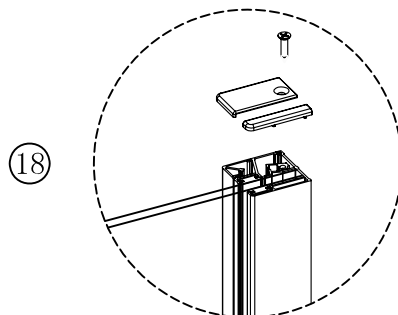
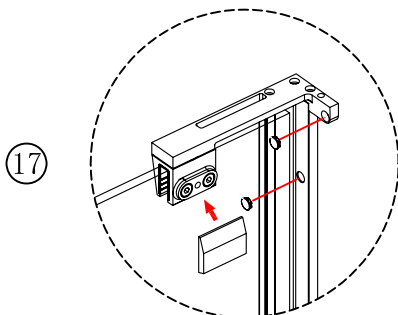
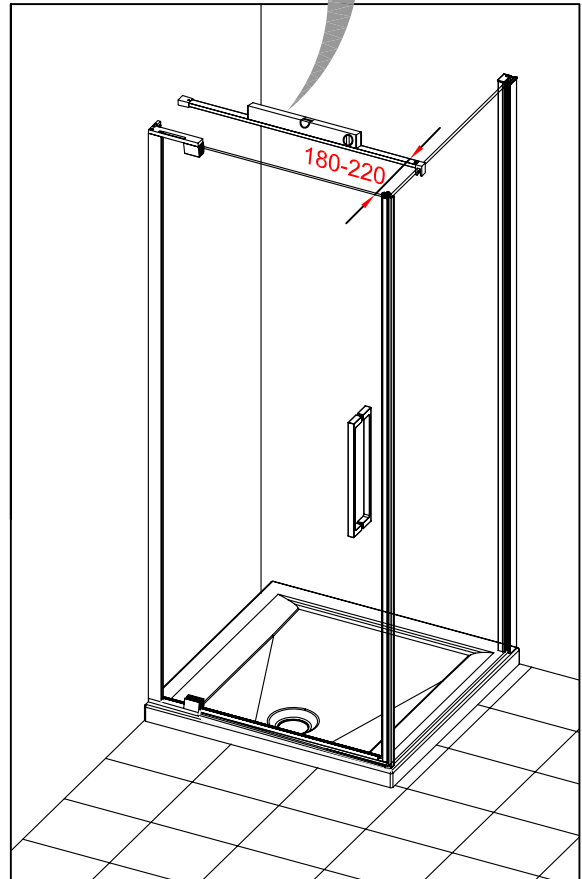
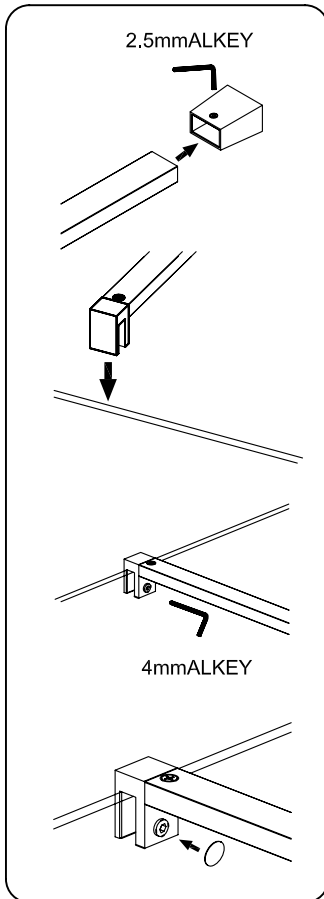
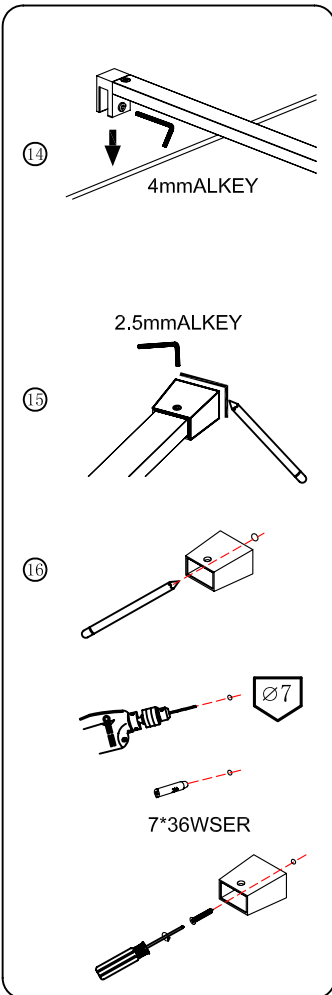
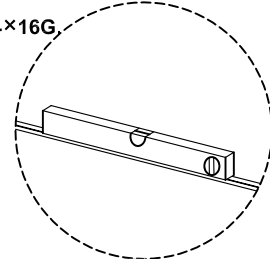
Clip on magnetic upright profile cover caps **10SP18NL/R** Also clip on top pivot bracket cover caps **10SP11**.

Clip on Pivot block cover cap **10SP12** and also all screw cover caps **10SP21** and **10SP29** for the pivot wall profile.

TIP – use a dab of silicone under cover caps to keeps on securely

Step 18.

Fix the wall profile cover caps **10S14L/R** and **10S15L/R** to side panel wall profile using screw **ST4*16G**.



Step 19.

Note: Before sealing, Remove the protective plastic on the profiles.

Step 20.

Use a quality silicone sealant and applicator gun to seal the finished door.

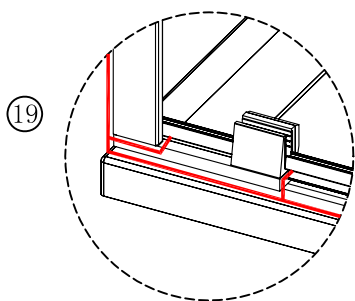
SEALING INSIDE

Seal top to bottom on the **INSIDE** between the wall profile and the wall. **Note:** Do not apply sealant on the inside of the tray.

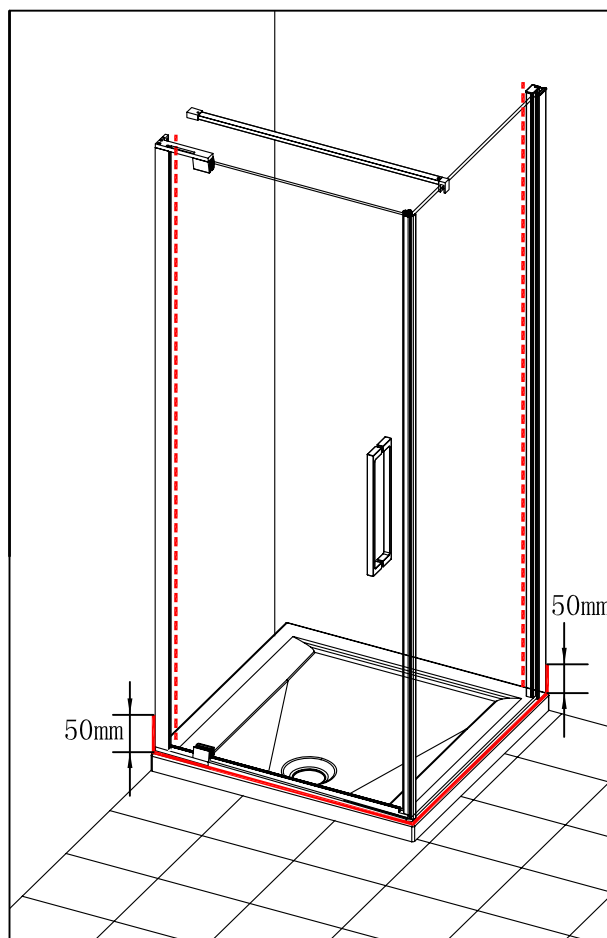
SEALING OUTSIDE

Seal only along bottom on the **OUTSIDE** between the glass/rail/profile and the tray and approx 50mm up between the wall profile and the wall

Seal the joining between the bottom pivot and profile on outside and on side.

**24 HRS**

DO NOT use the enclosure for 24 hrs after sealing

**TROUBLE SHOOTING GUIDE****DOOR NOT ALIGNING**

1. Is the tray 100% level (See page 3)
2. Has the wall been checked at different levels to ensure consistency?
3. Is the wall profile stepped in the correct distance from the edge of the tray? (See step 2)
4. Do the finished measurements on the tray comply with the adjustment listed on the label and in the specifications book?
5. Has the wall profile, where fixed to the wall, been adjusted in or out to ensure door magnets close fully (See step 10)
6. Is there an even gap between the luna rail and the seal on the bottom of the door (See step 8)

DOOR LEAKING

1. Is the bottom seal fitted on the moving door panel with the deflector to the inside? (See step 13).
2. Is there a dab of silicone on the bottom seal where it is positioned under the magnetic profile on the door panel (See step 13)
3. Is there a gap between the magnets? (See step 9 & 10)
4. Is the door sealed correctly (See step 20)
5. Are the TWO bottom seals on the door panel the correct length - IMPORTANT!! (See step 13)
6. Is the back of the door panel creating a seal on the fin on the inside of the pivot upright profile when the door is closed (See step 10)

OTHERS

1. Door is catching on the luna rail when being opened and closed (See step 8)
2. Door hitting the top rail – Is the rail on the side panel too close to the door panel and is it level? (See page 6)
3. Side panel moving when door closes – is the rail fixed correctly in the wall bracket and to the glass (See page 6)
4. Side panel moving on the tray when the door is closed – is the panel correctly sealed to the tray? (See page 20)

SERIES 10 PIVOT DOOR SIDE PANEL

WE ARE SURE YOU WILL BE PLEASED WITH YOUR NEW MERLYN SHOWER DOOR.

Where a shower door has been installed contrary to these instructions, Merlyn cannot accept responsibility for any loss or damage, however caused, and any on-site service may incur a charge.

www.merlynbathrooms.com

FAILURE TO FOLLOW THE INSTRUCTIONS CORRECTLY MAY INVALIDATE YOUR GUARANTEE