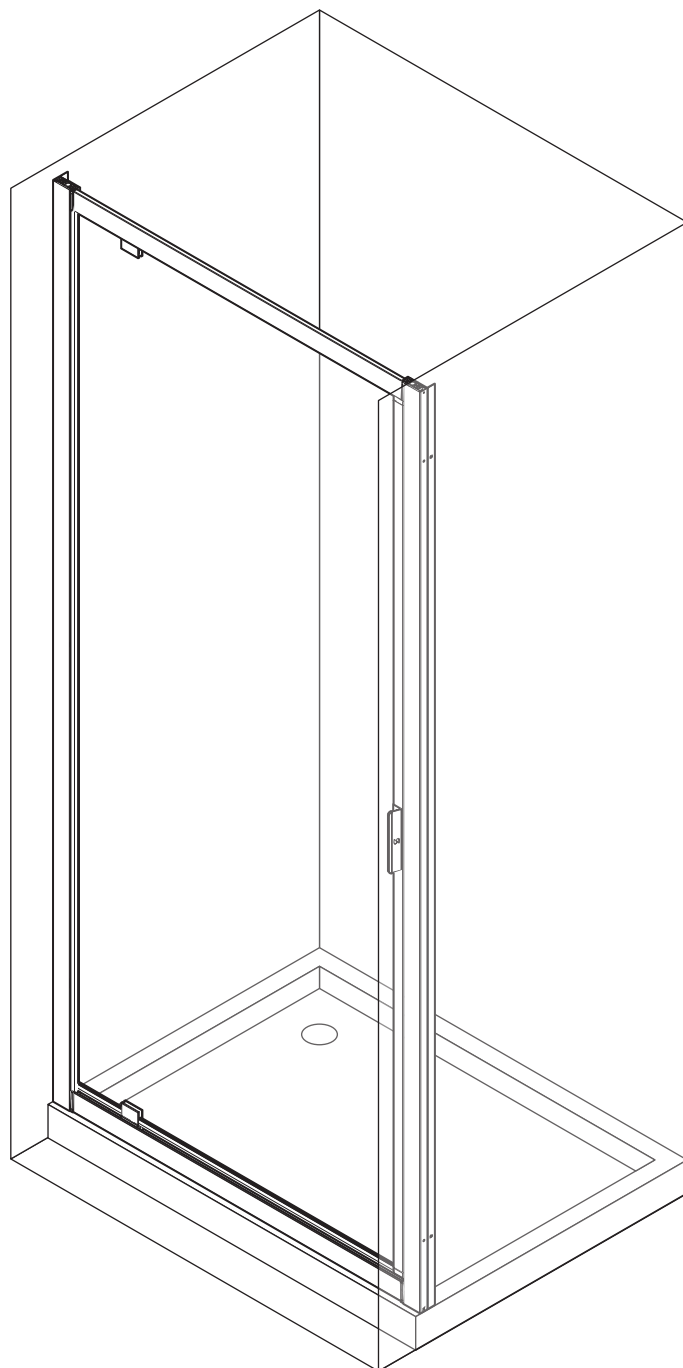
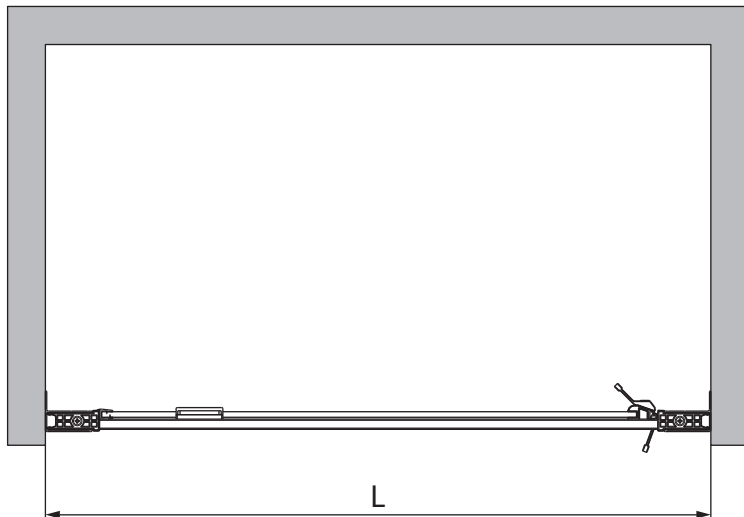
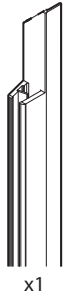
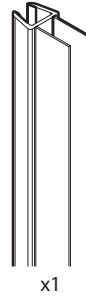
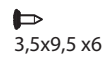
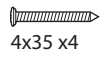
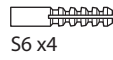
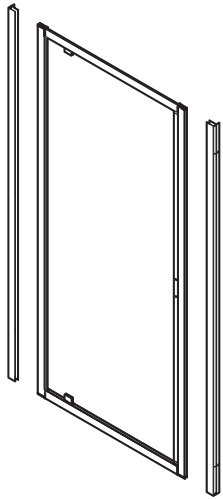
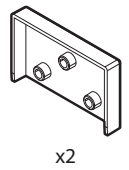
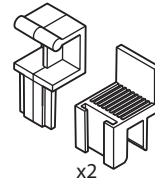
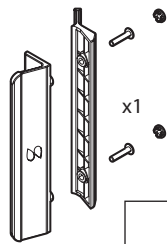
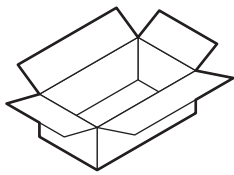
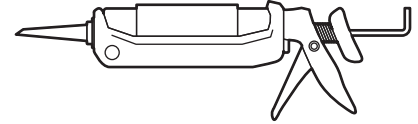
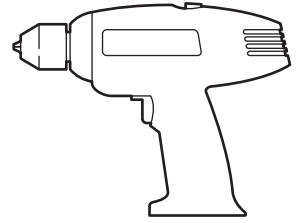
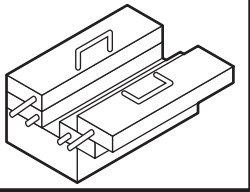


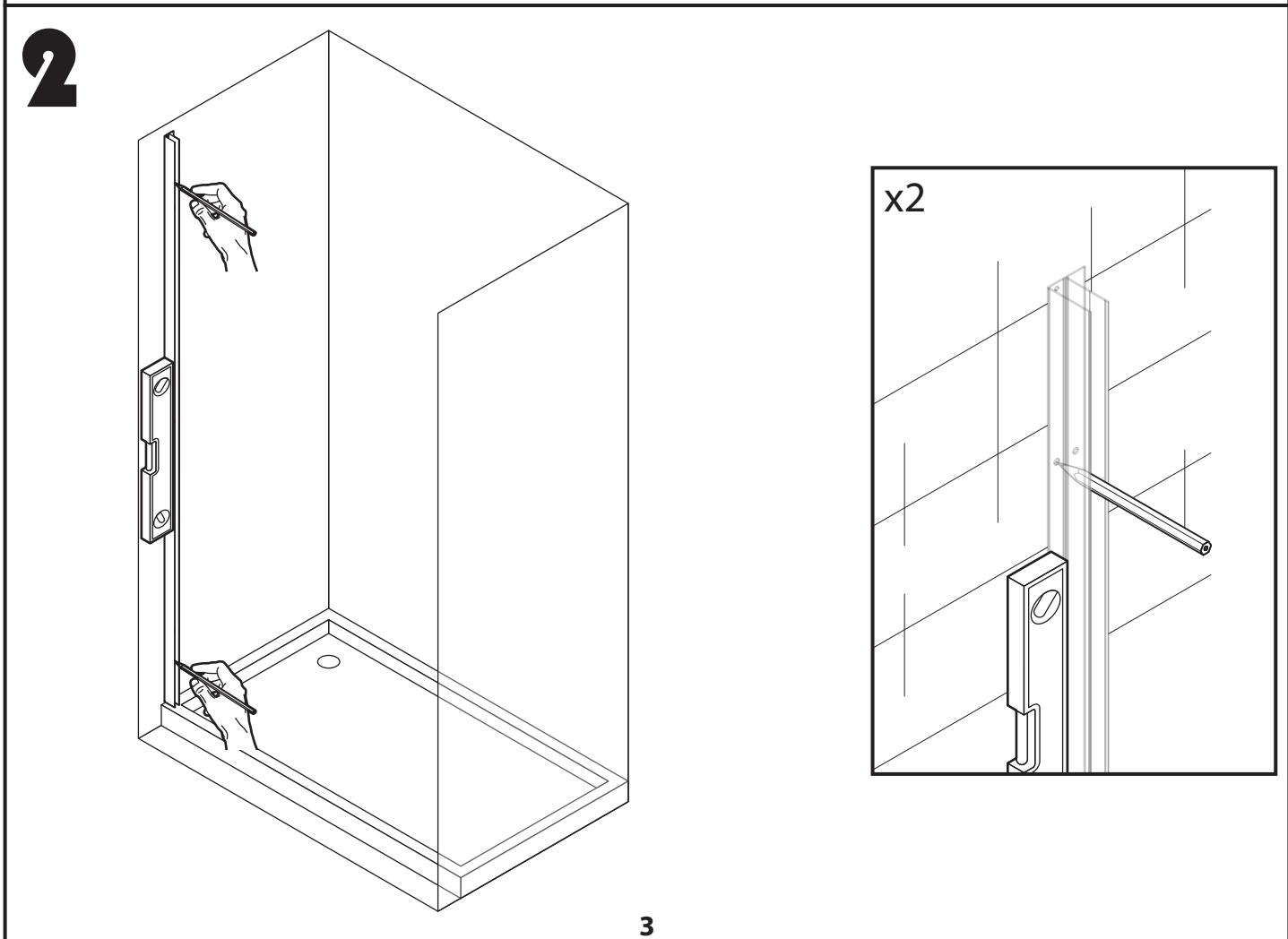
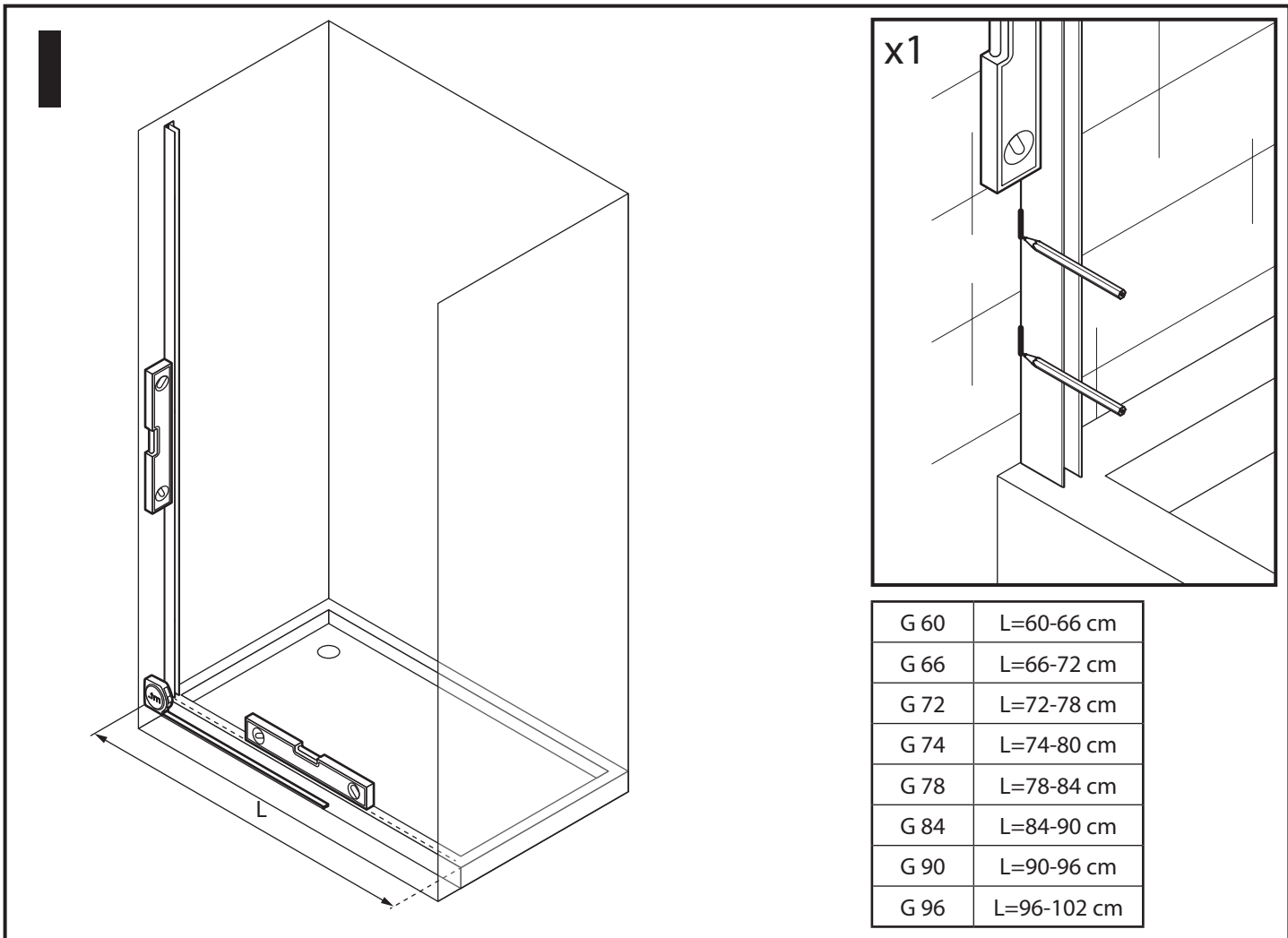
**G**



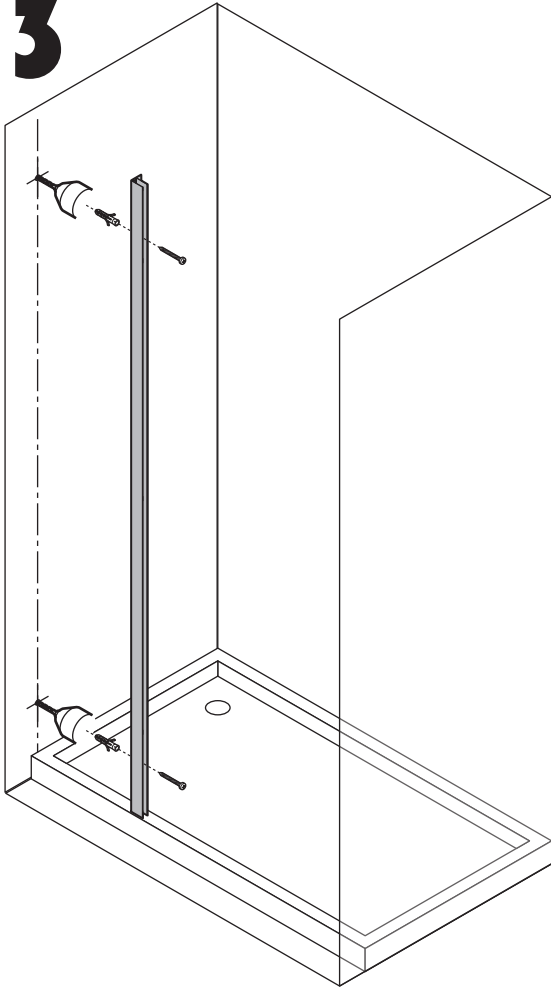
|  |  |
|--|--|
|  |  |
|  |  |
|  |  |
|  |  |



|      |             |
|------|-------------|
| G 60 | L=60-66 cm  |
| G 66 | L=66-72 cm  |
| G 72 | L=72-78 cm  |
| G 74 | L=74-80 cm  |
| G 78 | L=78-84 cm  |
| G 84 | L=84-90 cm  |
| G 90 | L=90-96 cm  |
| G 96 | L=96-102 cm |



# 3



 4x35 x2

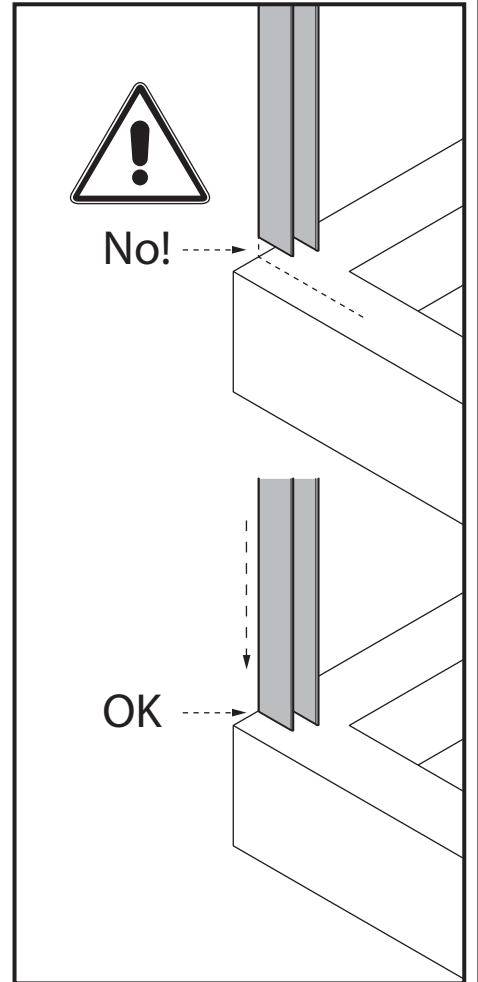
 S6 x2

  $\varnothing 6$  mm

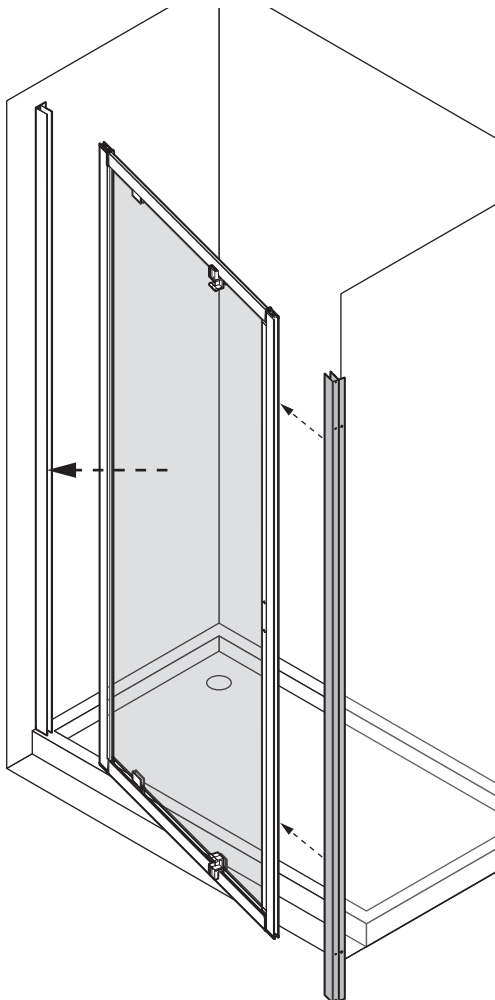


No!

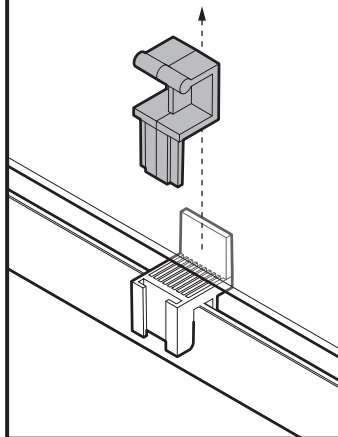
OK



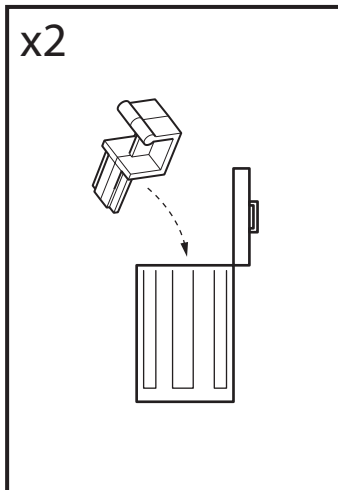
# 4



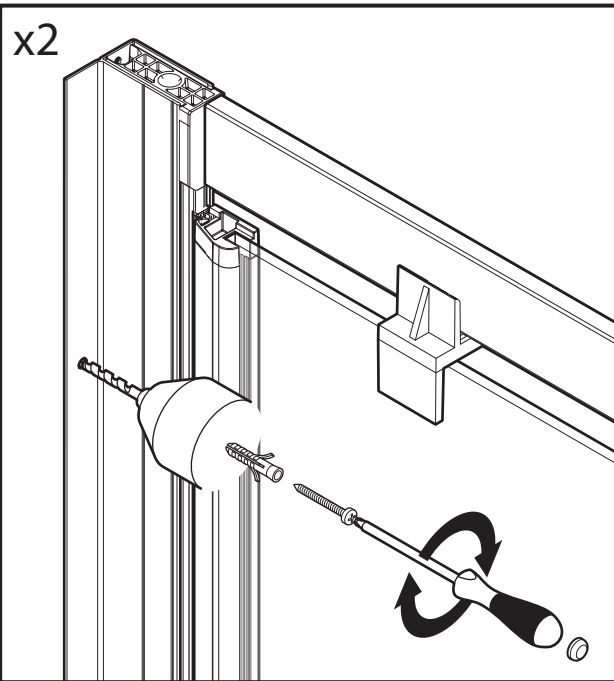
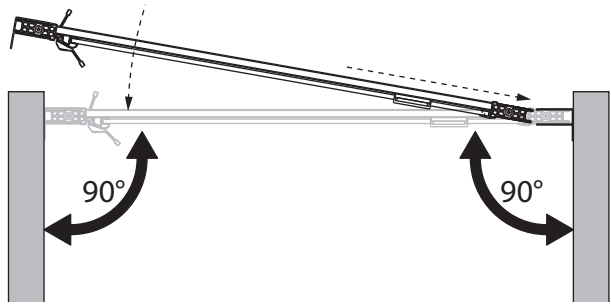
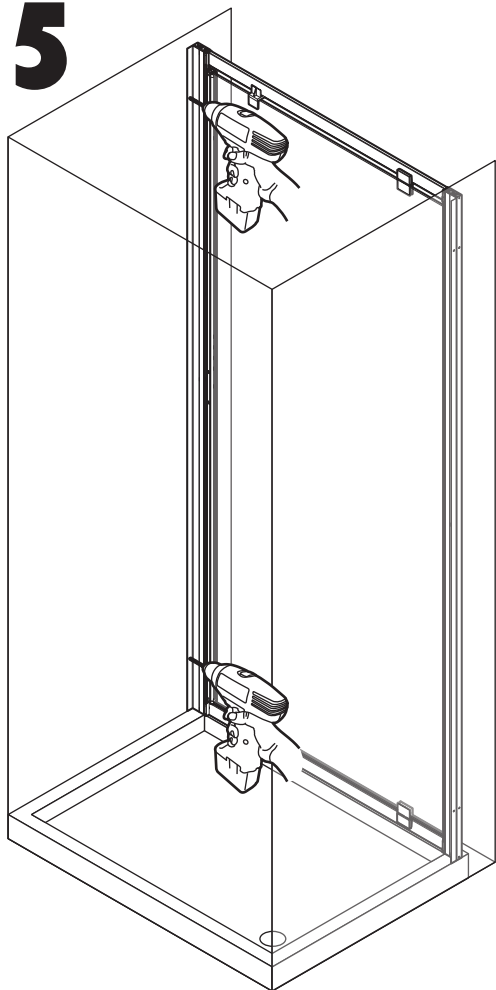
x2



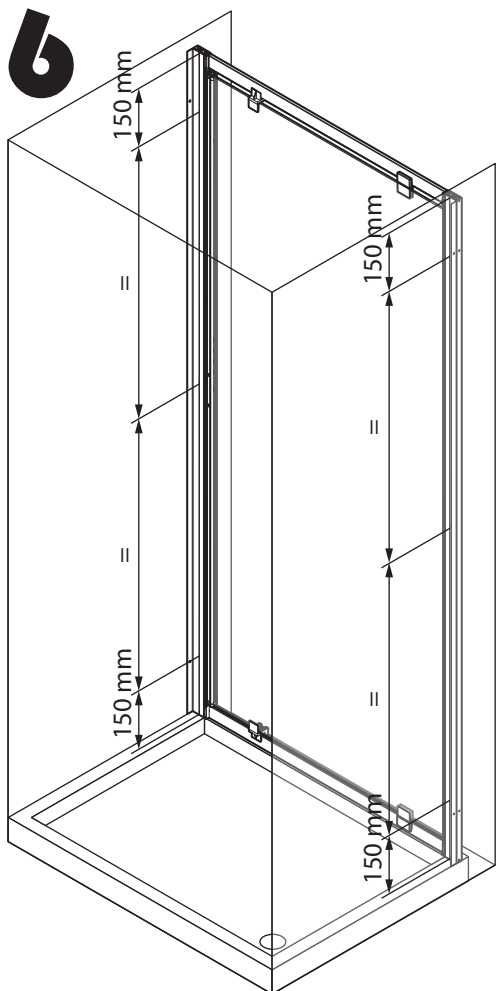
x2



5



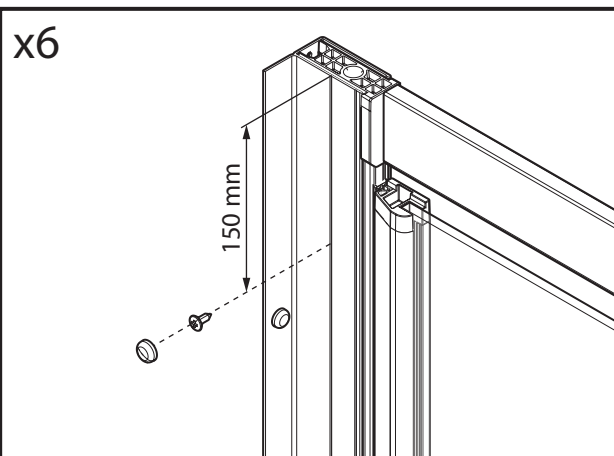
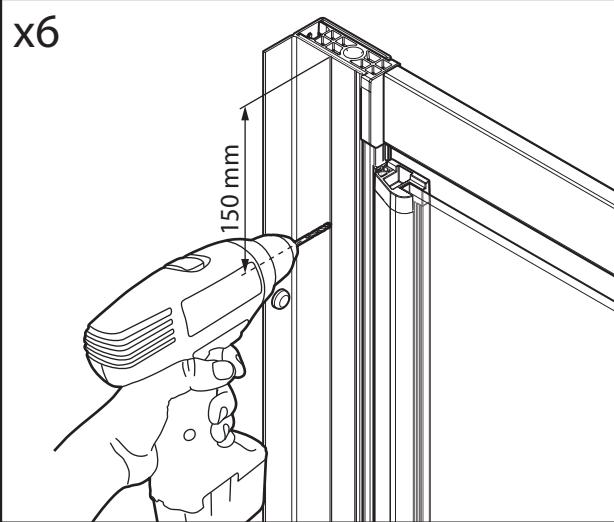
6



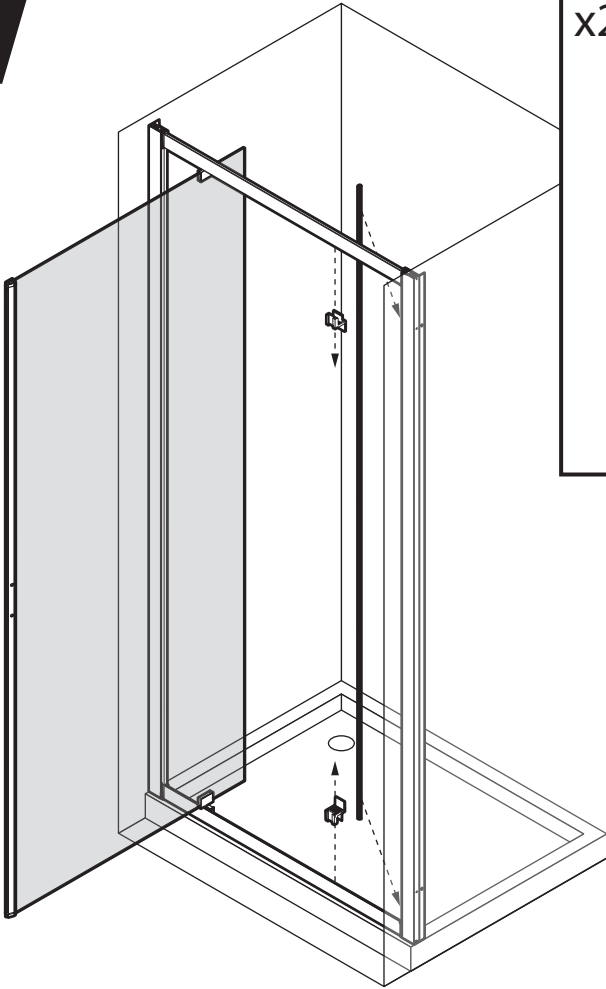
3,5x9,5 x6



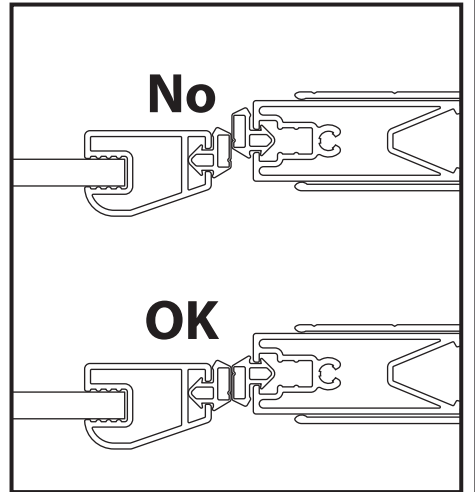
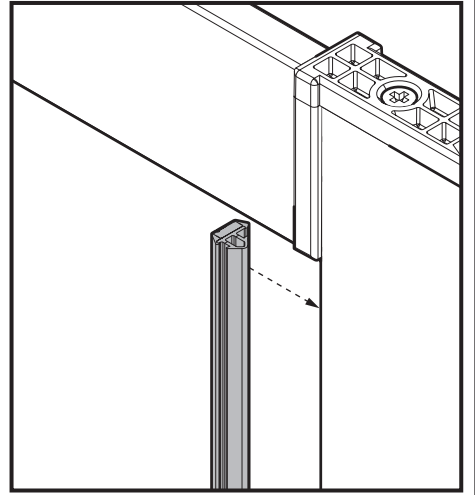
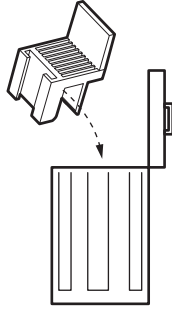
x6



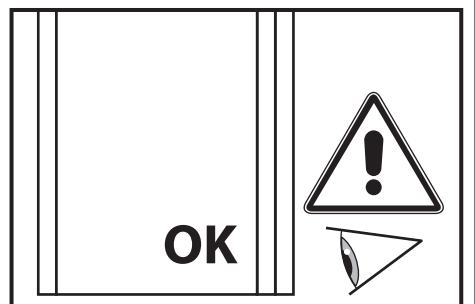
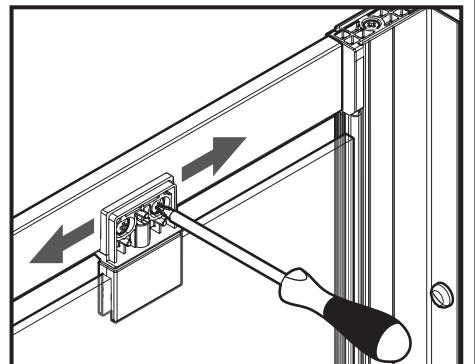
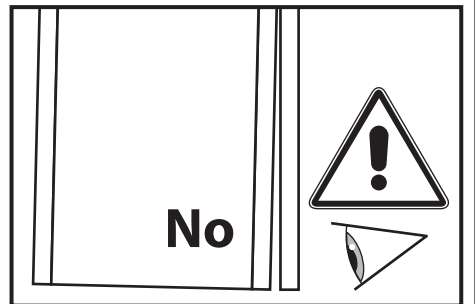
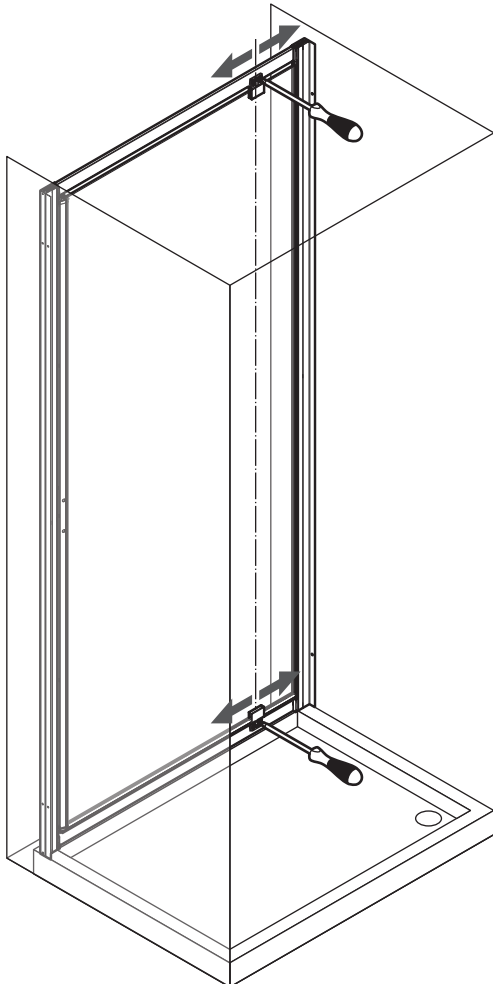
# 7



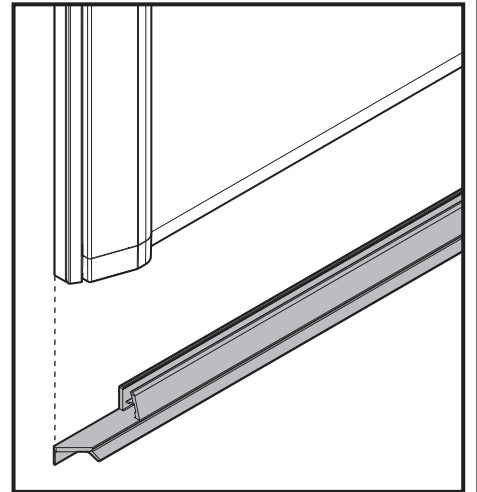
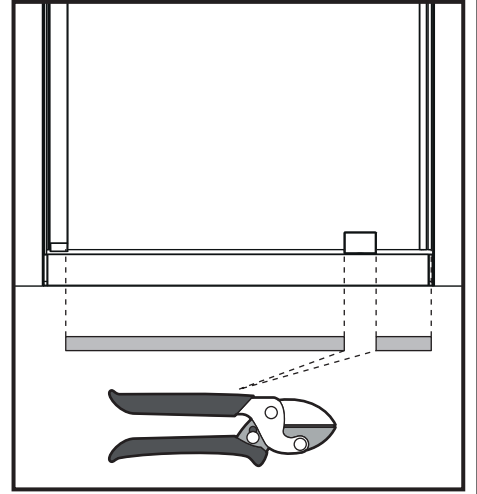
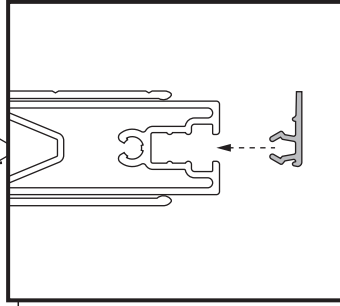
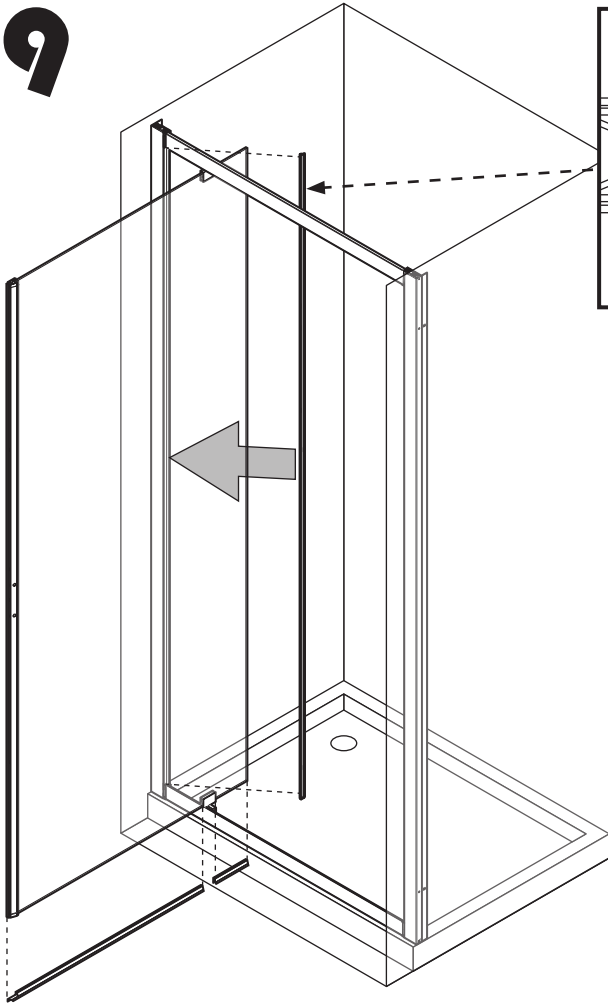
x2



# 8



9



10

