

TECHNICAL DATA SHEET

BRISTAN

1901

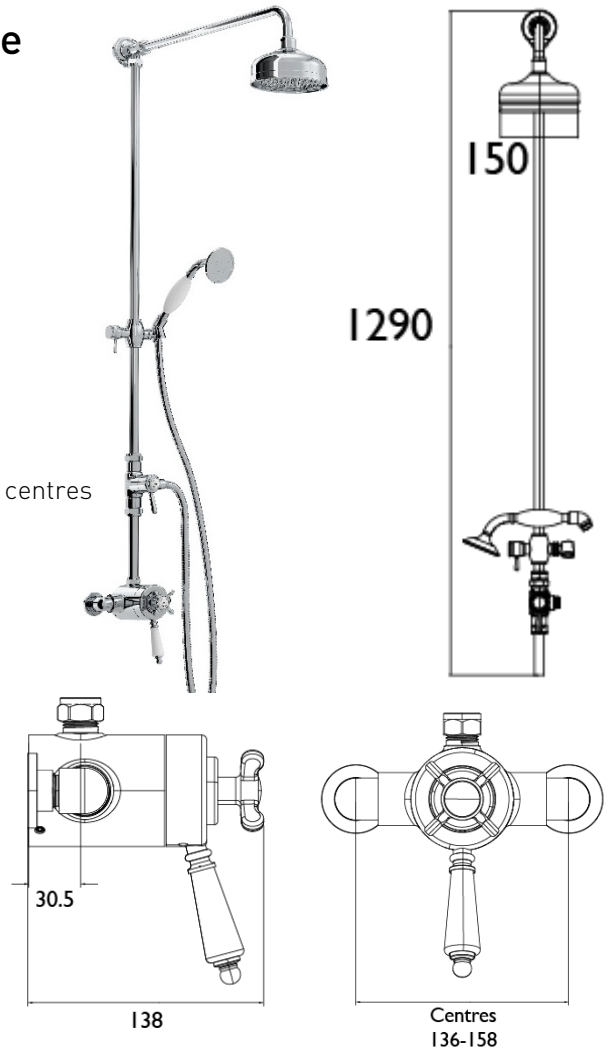
Exposed Concentric Chrome Shower Valve with Diverter & Rigid Riser Kit

Product Specification

Product Code:	N2 CSHXDIV C
Finish:	Chrome
Connection Inlet:	15mm Compression
Maximum Temperature:	Pre-set 42oC
Pressure Range:	0.1 – 5.0 Bar
Dimensions for Fitting:	136mm – 158mm adjustable inlet centres

Additional Information

- Chrome plated to BS EN 248:2002
- Traditional shower kit with external diverter, shower rose, rigid riser and handset
- Supplied with 2x 8 litres per minute flow regulators
- Adjustable inlet centres mean you can use existing pipework with centres measuring anything between 136mm and 158mm.
- Factory fitted regulators means this is a water saving shower
- Matching taps available

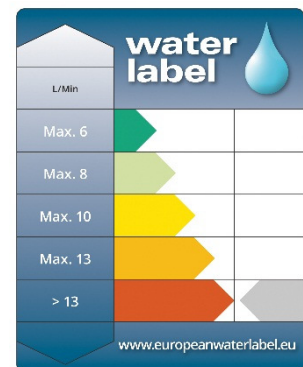


Flow Rates (litres per minute)

System Pressure	0.1bar	0.2bar	0.5bar	1bar	2bar	3bar	5bar
Through Handset with Flow Regulators	---	---	5.9	8	12.2	14.3	12.7
Through Handset without Flow Regulators	1.4	3	6.1	8.8	12.1	15.8	20.9
Through Rose with Flow Regulators	---	---	6.4	8.8	13.6	14.5	12.4
Through Rose without Flow Regulators	1.6	3.4	6.5	9.3	13.7	17.2	21.1

Technical Advice: For further information please call 0844 7016273 or email customer@bristan.com

Guarantee: 5 years covering manufacturing faults.



Bristan, Birch Coppice Business Park, Dordon, Tamworth, B78 1SG
 Telephone: 0844 701 6274 Facsimile: 0844 701 6275
 Web Site: www.bristan.com Email: enquire@bristan.com



The information contained on this page was correct at date of issue. Fitting dimensions are provided as a guide only. Some variation may occur due to manufacturing tolerances. Bristan pursues a policy of continuing improvement in design and performance of its products and so reserves the right to change specifications without prior notice.