

Merlyn Upstand

Square Tray with 4 Upstands

MERLYN
UPSTAND



Adjustable legs & tray panel kit



Graduated adjustable leg system



Optional extra 90mm fast flow waste



13mm high upstand

Features:

- Single skinned with 4 upstands
- 50mm high (63mm with upstand)
- 135mm high with tray panel set (148mm high including upstand)
- ABS capped acrylic sheet with anti-bacterial properties
- Available with 90mm branded fast flow waste (optional extra)
- Available with tray panel kits (optional extra)

Square Trays

Size, mm	Codes	Tray Panel Kit No.
760	S76SQUP	Kit 4
800	S80SQUP	Kit 4
900	S90SQUP	Kit 4

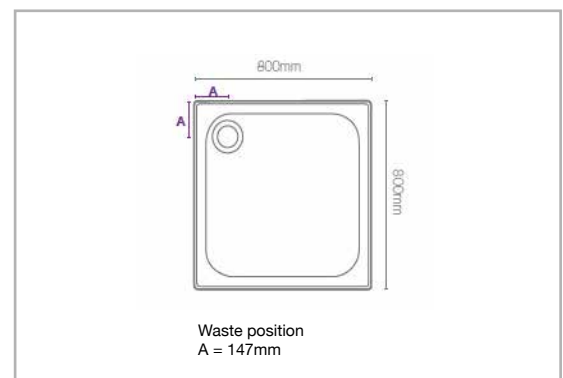
Optional extra - Square Tray Panel Kit - Including Legs

Tray Panel Kit	Codes
Kit 4	DRK4

Optional extra - 90mm fast flow waste

Name	Codes
Waste Complete	DWAS

Configuration:



DISCLAIMER

When wet, the surface of the majority of shower trays will show an increase in the potential for slipping. This is particularly the case when soap, shampoo, bath oil etc. are used. It is important that designers, installers and users are aware of this.