

LIBERTY



See page 57

510mm high model shown here in primer finish with Anthracite Chartwell TRV Valves.



The Liberty's scrolled relief patterns and Victorian looks transform it from humble radiator to a stunning reproduction centrepiece. Delivered pre-assembled ready for installation.

Colour Options

MHS offers a high quality full painting service utilising the full RAL & BS colour ranges that includes some metallic, textured and specialised finishes at £15 per section. Some specialist finishes may also carry an additional mixing charge.

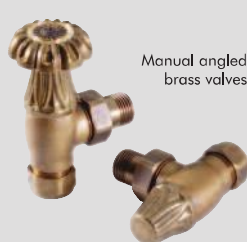
Please refer to the MHS colour chart on page 57, however many more colours are available on request.

Note: Primer finish is Umber Grey (Standard Supply)

Complementary Accessories:

Refer to pages 52 - 55

Chartwell



Manual angled brass valves



TRV angled brass valves

Kentwell



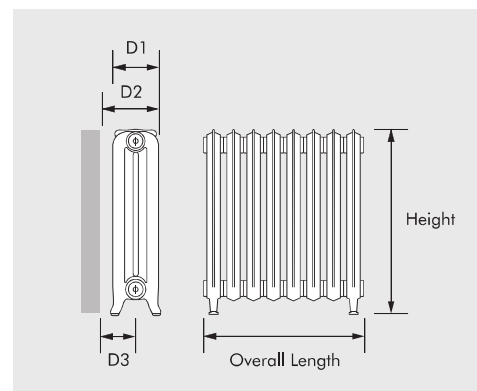
Angled valves



Angled valve with TRV head

All information is per section

Model / Code	LIB510-B-	LIB660-B-	LIB760-B-	LIB954-B-
Primer Finish	£60.50	£65.50	£72.50	£91.00
MHS Standard Colours	£75.50	£80.50	£87.50	£106.00
Hand Polished Finish	£115.50	£130.50	£137.50	£156.00
Height (mm)	510	660	760	950
Output (Watts @ Δt 50°C)	74	104	121	151
No. Columns Deep	2	2	2	2
Depth (mm) - D1	203	203	203	203
Depth (Wall To Face) (mm) - D2	235 or 245	235 or 245	235 or 245	235 or 245
Pipe Centres From Wall (mm) - D3	134 or 144	134 or 144	134 or 144	134 or 144
Width (mm)	76	76	76	76
Dry Weight (Kg's)	8.70	11.20	12.20	14.40
Water Content (Ltrs)	1.83	2.30	2.60	3.30
Max No. Factory Built Sections	15	15	15	15



How To Order:

1. Select the model of radiator paying attention to restrictions such as window sills etc
2. Divide your required heat loss by the amount of watts your selected radiator offers in the chart above
3. Round this figure up to tell you how many sections are required (eg 15.66 would equal 16 sections)
4. Calculate the overall length using the formula below to make sure it fits the space
5. Should the radiator prove to be too long for the designated space then a taller option will need to be chosen
6. Calculate the price by multiplying the section cost in the chart above by the number of sections required
7. Should a factory painted colour version also be desired, please note the colour on the order
8. Should the radiator be over our maximum assembled size, a joining key must also be ordered on a Sale / Return basis. (Return cost is clients responsibility)
9. Place the order.

Electric Models - (Set Sizes Only)

Model / Code	LIB510-B-06E	LIB510-B-08E	LIB510-B-10E	LIB660-B-06E	LIB660-B-08E	LIB660-B-10E
Primer Finish	£693.00	£814.00	£935.00	£723.00	£854.00	£985.00
Painted Finish	£783.00	£934.00	£1,085.00	£813.00	£974.00	£1,135.00
Hand Polished Finish	£1,083.00	£1,334.00	£1,585.00	£1,113.00	£1,374.00	£1,635.00
Height (mm)	510	510	510	660	660	660
Length (mm)	480	632	784	480	632	784
No. Sections	6	8	10	6	8	10
Depth (Wall - Face) (mm)	235 or 245	235 or 245	235 or 245	235 or 245	235 or 245	235 or 245
Output (Watts)	900	1500	2000	900	1500	2000
Weight (Kg's)	64.00	85.00	106.00	81.00	108.00	135.00

Model / Code	LIB760-B-06E	LIB760-B-08E	LIB960-B-06E	LIB960-B-08E
Primer Finish	£765.00	£910.00	£876.00	£1,058.00
Painted Finish	£855.00	£1,030.00	£966.00	£1,178.00
Hand Polished Finish	£1,155.00	£1,430.00	£1,266.00	£1,578.00
Height (mm)	760	760	960	960
Length (mm)	480	632	480	632
No. Sections	6	8	6	8
Depth (Wall - Face) (mm)	235 or 245	235 or 245	235 or 245	235 or 245
Output (Watts)	900	2000	900	2000
Weight (Kg's)	88.80	118.40	106.20	141.60

Joining Key

Model / Code	ZXTOOL-02
Liberty Joining Key	£160

We will always strive to keep on-site assembly to a minimum but for radiators larger than the maximum factory assembled size (see charts above) on-site assembly will be required.

Full instructions and parts will be supplied although a joining key tool will need to be purchased (see above) separately on a sale/return basis.

Overall lengths equal No. Sections x 76mm plus 24mm (For reducing bushes)

Example - 20 Section Radiator:
20 x 76mm + 24mm = 1544mm Total Length

Mounting Options

Liberty is supplied as standard with feet and all fixings / ties included in the price. Should you require the wall mounted only version this must be stated when ordering. Valves are not included and must be ordered separately.

Feet Positions:

- Up to 20 sections - 2 Feet, one at each end
- Odd numbers (21-39 sections) - 3 Feet, one at each end and one centrally
- Even numbers (22-40 sections) - 4 Feet, one at each end and two evenly spaced

No. brackets with wall mounted option:

- Up to 17 Sections - 4 Brackets
- 18-31 Sections - 6 Brackets
- 31-40 Sections - 8 Brackets