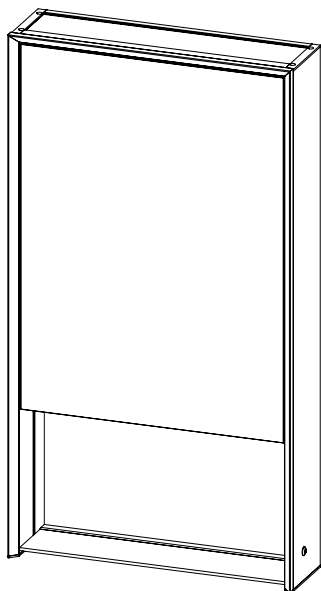
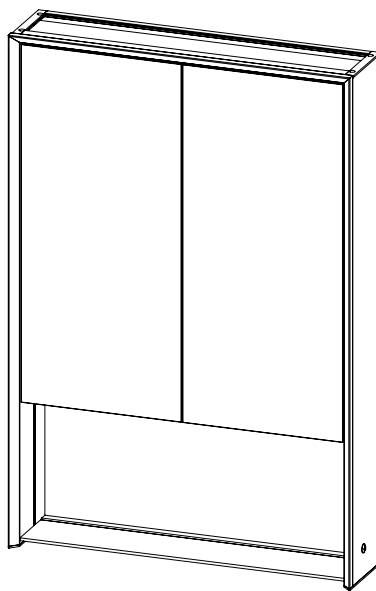


Verve 50, 60 & 80 Cabinet



Verve 50
Art No. 52700



Verve 60 & 80
Art No. 52800 & 52900

Thank you for purchasing this HiB product.

Please read through these instructions carefully and refer back to them during installation to ensure that your product is fitted safely and that it retains its high quality finish.

Please retain this leaflet for future reference.

Before drilling, ensure there are no hidden cables or pipes in the wall. **Ensure the domestic electrical mains supply to which the product is being connected is turned off for installation.**

Electrical Safety Information

HiB recommends that all electrical bathroom products must be installed in accordance with current building and wiring regulations. **If in doubt please contact an electrician.**

Installation

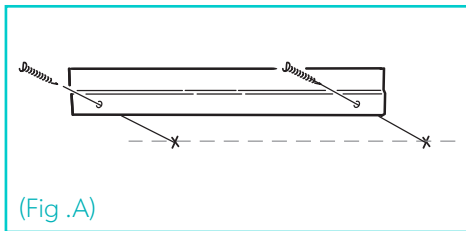
WARNING

It is important to follow manufacturer's installation guidelines to ensure the cabinet is fixed securely to the wall.

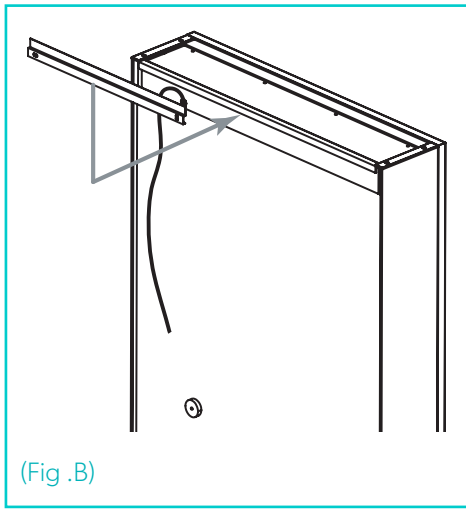
Please use the supplied wall fixing bracket and follow the correct installation method. If the instructions are not followed appropriately there is an increased safety risk to the user.

NB. Cabinets must be installed with a minimum distance of 150mm between the infra-red sensor switch and any adjacent wall or object to ensure correct operation of the sensor

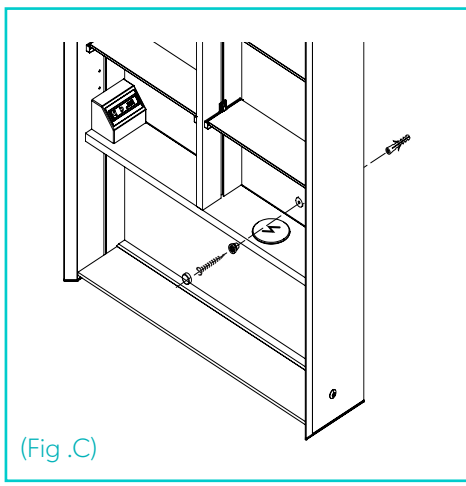
1. Position the cabinet in a suitable location (according to the zonal diagram on the back page (Fig. D) ensuring that the mains supply cable is within reach of the cable connection point of the cabinet.
2. Carefully mark the desired position of the top of the cabinet on the wall using a soft pencil.
3. Remove the cabinet from the wall and using a spirit level, mark a horizontal line 40mm below the pencil mark. Hold the mounting bracket in place with the holes corresponding with the marked line. Ensure the bracket is central, and mark the position of the holes (Fig. A).
- 4. Before drilling, ensure there are no hidden cables or pipes behind the mounting points.** Drill the required holes in the marked positions. If drilling through tile, use a ceramic drill bit. Insert the wall plugs level with the surface of the wall. If fitting to a tiled surface, wall plugs should be inserted below the tile surface to avoid cracking. NB. For plasterboard walls, specialist fixings should be purchased, available from any DIY or hardware store. Fix the bracket to the wall using the screws provided.
5. Temporarily hang the cabinet on the top bracket (Fig.B), and mark the position of the bottom mounting hole on the wall using a soft pencil, then remove the cabinet from the wall.(Fig. C)
6. Drill a hole in the wall where you have marked with the soft pencil. Insert a wall plug level with the surface of the wall as per step 4.
- 7. Ensure the domestic electrical mains supply to which the product is being connected is turned off.** Connect the domestic mains supply according to Fig.E - OVERLEAF.
8. When the product is wired correctly, hang the cabinet on the top bracket (Fig.B) and secure the cabinet with a screw through the bottom mounting hole (Fig.C). Take care not to overtighten the screw against the mirror glass, the screw is not load bearing - It is only intended to prevent the cabinet from moving away from the wall.
9. When the cabinet is correctly fitted, adjust the shelf support brackets to your desired height ensuring the matching brackets are level. This is done by slightly loosening the screw, **do not remove the screw completely.** Once in position tighten screw to secure the bracket and put the glass shelf into the shelf support bracket.



(Fig .A)



(Fig .B)

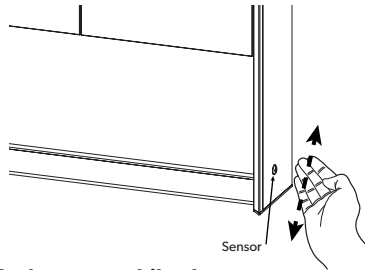


(Fig .C)

Operating Instruction

To switch on/off

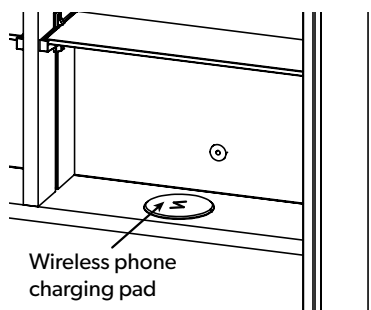
Slowly move your hand past the sensor located on the right hand side of the cabinet.



To charge a mobile phone

Place a suitable mobile phone with wireless charging capabilities directly on top of the wireless phone charging pad. The phone will indicate that it is receiving charge.

Wireless phone charging pad - Please be advised not to put metallic items on top of the wireless charger.



2-Pin charging socket(s) are suitable for charging and powering electric razors, trimmers and toothbrushes.

NB. On first use of the charger socket, inserting the plug may prove to be stiff. Reasonable force may be required to fully insert the plug. Make sure that the cabinet is held firmly so that it is not pushed off the wall. After a few uses, stiffness will ease and the socket will function as normal.

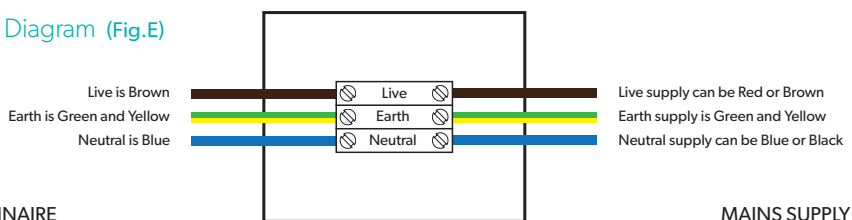


All installations must comply with guidelines which are based on a zonal concept. The diagram (Fig. D) illustrates this concept and must be followed to ensure the safe installation of electrical appliances in the bathroom.

These regulations apply to domestic installations only. Installations must be made in accordance with the current IEE wiring regulations and relevant building regulations.

This product is IP44 rated and is suitable for installation in zones: 2 & Outside Zone

Wiring Diagram (Fig.E)



Electrical Safety Information

HiB recommends that all electrical bathroom products must be installed in accordance with current building and wiring regulations. If in doubt please contact an electrician. Ensure mains power supply is switched off before starting installation.

USB Socket - If an appliance is connected and the current draw exceeds 1.5A, the USB driver will automatically go into protective shutdown mode and the LED light on the USB socket will flash. Disconnecting the appliance will reset the USB driver.

Any appliance that requires more than the 1.5A current should not be used in the USB socket

Wireless phone charging pad - Please be advised not to put metallic items on top of the wireless charger.

Care Instructions

Do not use abrasives or solvents when cleaning this product.
Wipe off all water spillages as soon as possible using a soft, damp cloth.

Aftercare Service

In the unlikely event that this product should fail please contact HiB customer services, contact details shown below.



WEEE compliance

Must not be mixed with general household waste

T: +44 (0)20 8441 0352 F: +44 (0)20 8441 0219 E: sales@hib.co.uk hib.co.uk
Building 3, North London Business Park, Oakleigh Road South, New Southgate, London. N11 1GN

©HiB Copyright: No part of this document may be reprinted or duplicated without HiB consent. All sizes and measurements are approximate, but we do try and make sure they are as accurate as possible. In the interest of continuous product development, HiB reserves the right to alter specifications as necessary. E & OE.