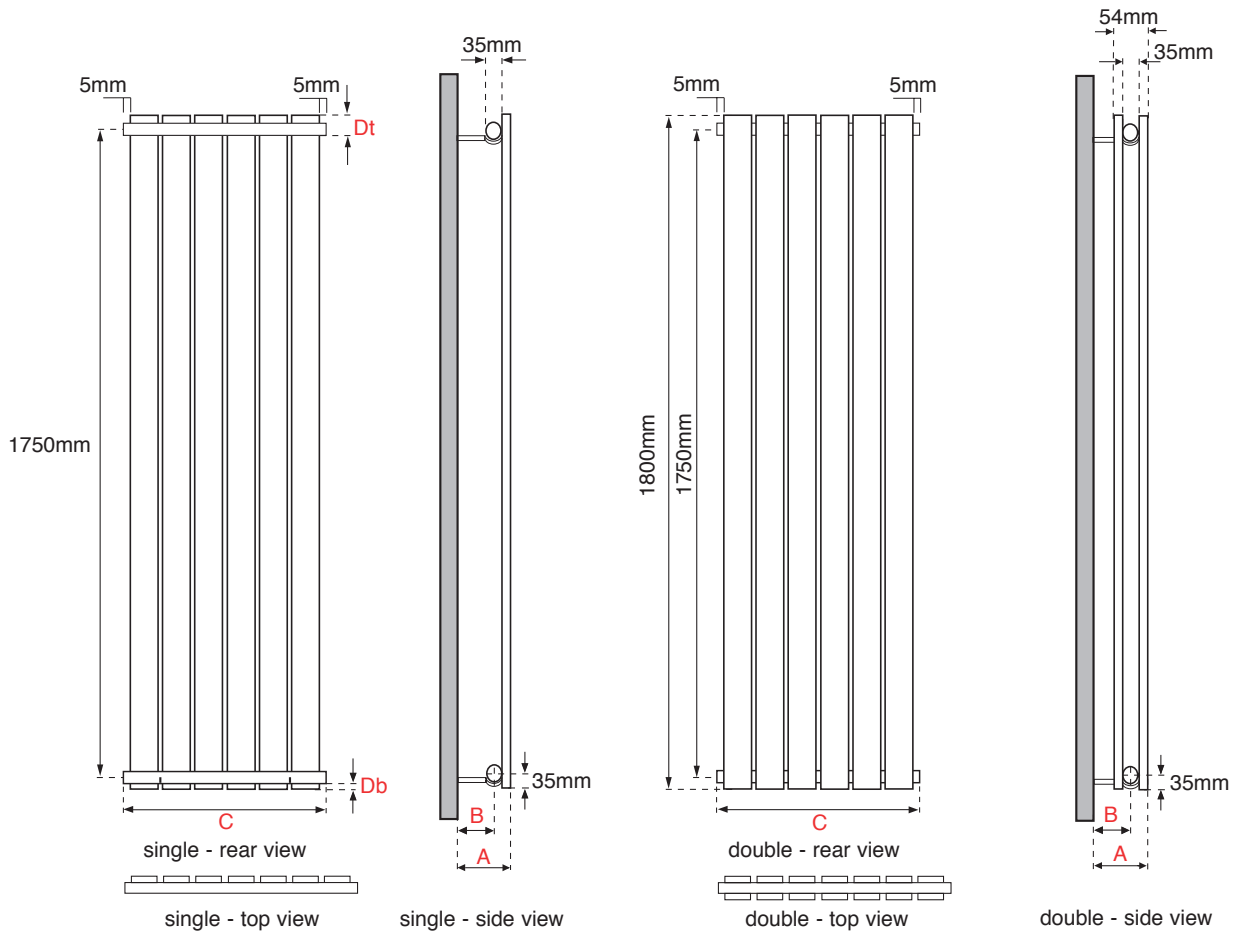


APOLLO capri vertical technical specification



CAPRI VERTICAL DIMENSIONS (mm)

MODEL HEIGHT			1800
Width of radiator			(No. sections x 75) + 5
Tube width			70
Tube depth			11
Section width (tube + space)			75
Wall to front of rad		(A)	95
Wall to pipe centres	Side entry	(B)	55
	Bottom entry		N/A
Tapping centres	Side entry	(C)	Width of rad
	Bottom entry		N/A
Pipe centres	Side entry		Width plus valves
	Bottom entry		N/A
Bracket positions	Top	(Dt)	40
	Bottom	(Db)	5

ADDITIONAL INFORMATION

Material		E235 grade steel
Steel tube measurements		11mm x 70mm
Steel thickness	Collector	1.5mm
	Tubes	1.5mm
Maximum working pressure		4 bar/400 kPa
Testing pressure		5.2 bar/520 kPa
Maximum working temperature		95°C

The thermal outputs expressed at $\Delta T=50k$ comply with European regulation EN 442-2

TEMPERATURE

FACTORS FOR DIFFERENCES BETWEEN MEAN WATER TEMPERATURE AND ROOM TEMPERATURE IN °C AND °F OTHER THAN 50 °C (90 °F)

5 °C	0.050	10 °F	0.057
10 °C	0.123	20 °F	0.142
15 °C	0.209	30 °F	0.240
20 °C	0.304	40 °F	0.348
25 °C	0.406	50 °F	0.466
30 °C	0.515	60 °F	0.590
35 °C	0.629	70 °F	0.721
40 °C	0.748	80 °F	0.858
45 °C	0.872	90 °F	1.000
50 °C	1.000	100 °F	1.147
55 °C	1.132	110 °F	1.298
60 °C	1.267	120 °F	1.454
65 °C	1.406	130 °F	1.613
70 °C	1.549	140 °F	1.776
75 °C	1.694		

TO APPLY THE FACTORS SHOWN IN THE TABLE TO OUR QUOTED OUTPUTS. MULTIPLY THE QUOTED OUTPUT BY THE CHOSEN OPERATING FACTOR TO GIVE THE OUTPUT

CAPRI SINGLE WHITE 1800 HIGH WEIGHTS AND VOLUMES (per section)

Model width mm	300	450	600
Dry weight (A) Kg	13.20	19.80	26.40
Water content (B) Litres	4.20	6.30	8.40
Working weight (A+B) Kg	17.40	26.10	34.80
Outputs: Watts $\Delta T=50k$	632	948	1264

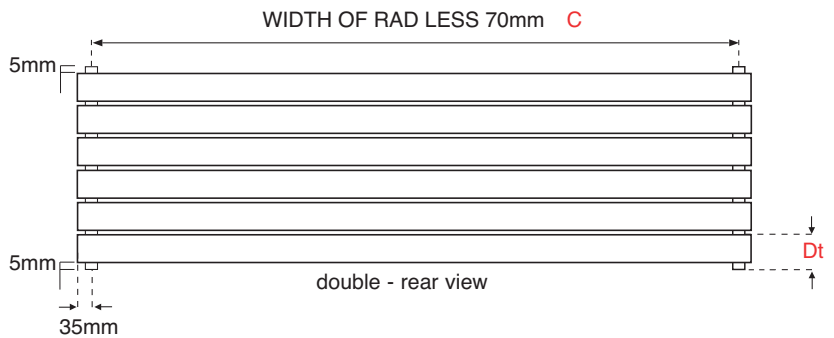
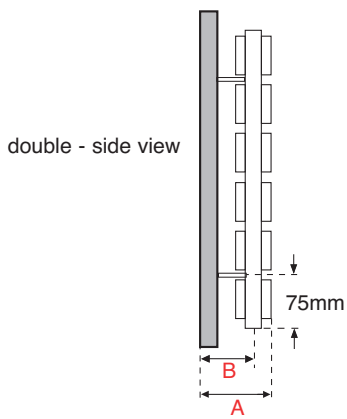
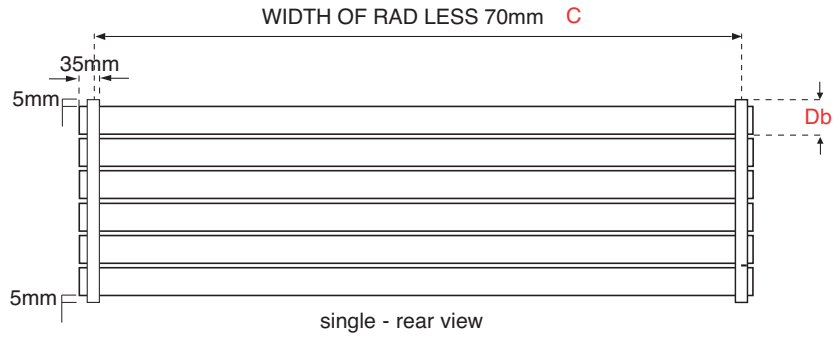
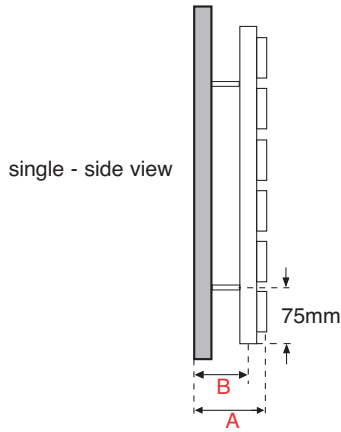
CAPRI SINGLE CHROME 1800 HIGH WEIGHTS AND VOLUMES (per section)

Model width mm	300	450	600
Dry weight (A) Kg	13.20	19.80	26.40
Water content (B) Litres	4.20	6.30	8.40
Working weight (A+B) Kg	17.40	26.10	34.80
Outputs: Watts $\Delta T=50k$	507	760	1013

CAPRI DOUBLE WHITE 1800 HIGH WEIGHTS AND VOLUMES (per section)

Model width mm	300	450	600
Dry weight (A) Kg	25.80	38.80	51.70
Water content (B) Litres	7.80	11.80	15.70
Working weight (A+B) Kg	33.60	50.60	67.40
Outputs: Watts $\Delta T=50k$	980	1470	1960

APOLLO capri horizontal technical specification



CAPRI HORIZONTAL DIMENSIONS (mm)

MODEL WIDTHS SINGLE 1800			
MODEL WIDTHS DOUBLE 1000, 1200, 1400, 1800			
HEIGHT OF RADIATOR			(No. sections x 75) + 5
			Single Double
Tube width			70 70
Tube depth			11 11
Section width (tube + space)			75 75
Wall to front of rad		(A)	55 95
Wall to pipe centres	Side entry		N/A
	Bottom entry	(B)	26 66
Tapping centres	Side entry		N/A
	Bottom entry	(C)	Width of rad less 70mm
Pipe centres	Side entry		N/A
	Bottom entry		Width of rad less 70mm
Bracket positions	Top	(Dt)	75 75
	Bottom	(Db)	75 75

ADDITIONAL INFORMATION

Material	E235 grade steel	
Steel tube measurements	11mm x 70mm	
Steel thickness	Collector	1.5mm
	Tubes	1.5mm
Maximum working pressure	4 bar/400 kPa	
Testing pressure	5.2 bar/520 kPa	
Maximum working temperature	95°C	

The thermal outputs expressed at $\Delta T=50k$ comply with European regulation EN 442-2

TEMPERATURE

FACTORS FOR DIFFERENCES BETWEEN MEAN WATER TEMPERATURE AND ROOM TEMPERATURE IN °C AND °F OTHER THAN 50 °C (90 °F)			
5 °C	0.050	10 °F	0.057
10 °C	0.123	20 °F	0.142
15 °C	0.209	30 °F	0.240
20 °C	0.304	40 °F	0.348
25 °C	0.406	50 °F	0.466
30 °C	0.515	60 °F	0.590
35 °C	0.629	70 °F	0.721
40 °C	0.748	80 °F	0.858
45 °C	0.872	90 °F	1.000
50 °C	1.000	100 °F	1.147
55 °C	1.132	110 °F	1.298
60 °C	1.267	120 °F	1.454
65 °C	1.406	130 °F	1.613
70 °C	1.549	140 °F	1.776
75 °C	1.694		

TO APPLY THE FACTORS SHOWN IN THE TABLE TO OUR QUOTED OUTPUTS. MULTIPLY THE QUOTED OUTPUT BY THE CHOSEN OPERATING FACTOR TO GIVE THE OUTPUT

CAPRI SINGLE WHITE 1800 WIDE WEIGHTS AND VOLUMES (per section)

Model height mm	300	450	600
Dry weight (A) Kg	13.20	19.80	26.40
Water content (B) Litres	4.20	6.30	8.40
Working weight (A+B) Kg	17.40	26.10	34.80
Outputs: Watts $\Delta T=50k$	632	948	1264

CAPRI DOUBLE WHITE 1800 WIDE WEIGHTS AND VOLUMES (per section)

Model height mm	300	450	600
Dry weight (A) Kg	25.80	38.80	51.70
Water content (B) Litres	7.80	11.80	15.70
Working weight (A+B) Kg	33.60	50.60	67.40
Outputs: Watts $\Delta T=50k$	980	1470	1960