

# Waters

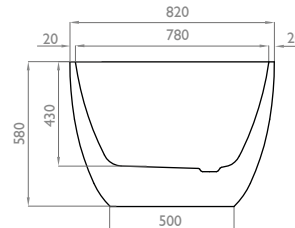
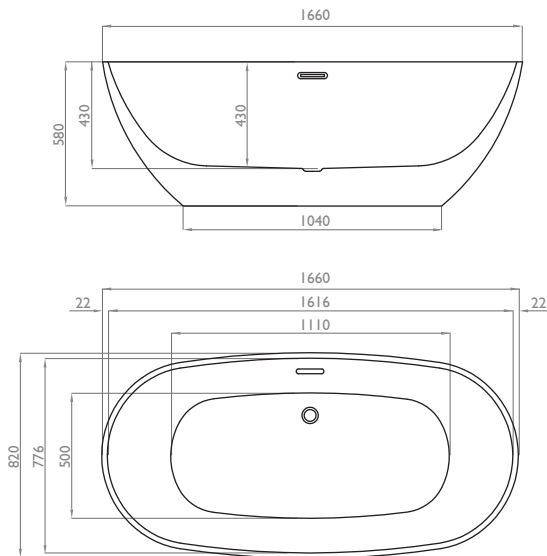
Baths of Ashbourne

## Brook<sup>2</sup>

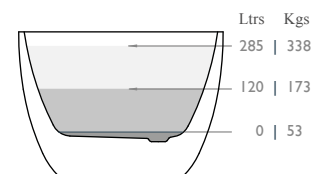
1660mm - Specification



### Dimensions:



### Fill information:



### Features:

20mm profile edge - free-standing bath with a slimline stainless steel overflow and recessed push lock waste. Manufactured using 100% Lucite™ acrylic material complete with a Lifetime guarantee.

### Dimensions:

1660mm x 820mm x 580mm LxWxH

### Weight:

Gross 66kg - Net 53kg

### Goes well with:

Roca™ Meridian-N, Chroma.  
Duravit™ Starck, Architec.

### Further Info:

Full specifications, fitting instructions and 3D data files are available as PDF's and SKP files online. Other information for architects, specifiers and interior designers available on request.

**NB:** As our baths are individually hand made dimensions may vary +/- 5mm & upon close inspection a fine joint line may be seen due to there two part construction

### GOES WELL WITH:

Recommendations are suggestions of third party products that complement our baths, they are not an endorsement of our product. Product and brand names are copy-write of the identified manufacturers. Other brand are available.

[www.watersbaths.co.uk](http://www.watersbaths.co.uk)

Waters Baths of Ashbourne - Long lane, Dalbury Lees, Ashbourne, DE6 5BG  
t:01332 824166 e:info@watersbaths.co.uk