

# SPECIFICATION SHEET

**COLLECTION:**

**PRODUCT CODE:** WG-461/RO-CP



**DESCRIPTION:**

contemporary round bottle trap  
35mm x 300mm pipe connections  
min-max vertical adjustment 40-150mm to outlet centre  
75mm water trap seal

**FINISH:**

Chrome



tel: 01934 744466  
email: sales@vado.com  
www.vado.com

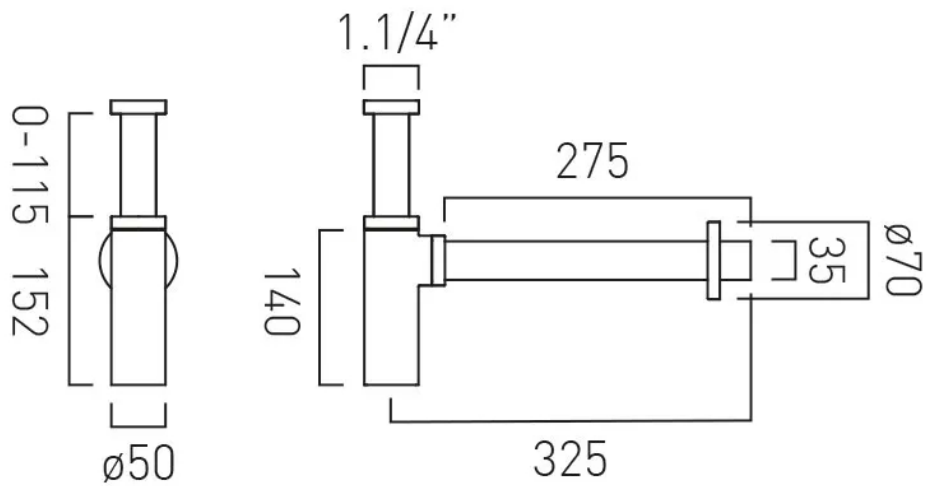
**where inspiration flows**  
taps | showering | accessories



# TECHNICAL DRAWING

COLLECTION:

PRODUCT CODE: WG-461/RO-CP



tel: 01934 744466  
email: sales@vado.com  
www.vado.com

**where inspiration flows**  
taps | showering | accessories

