



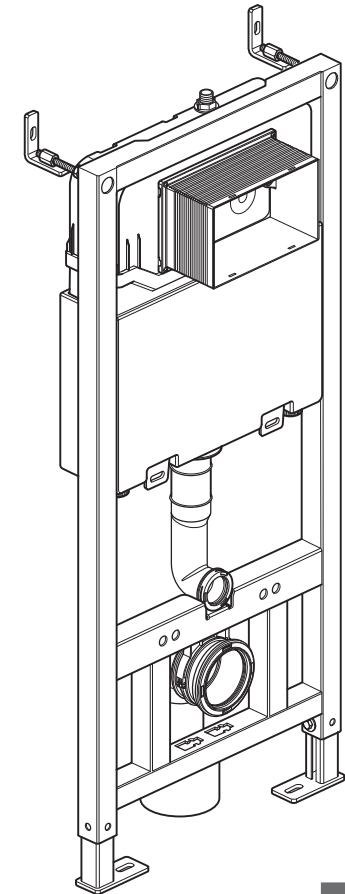
where inspiration flows

# WATERGAMES

Installation Guide  
Standard wall hung frame with cistern

This instruction booklet covers these models:  
WG-095-F/C

WG-095-F/C



Vado  
Wedmore Road, Cheddar, Somerset, England BS27 3EB  
tel 01934 744466 fax 01934 744345  
aftersales@vado.com  
www.vado.com



## Important - please read

VADO reserves the right to make technical improvements and enhance the appearance of the products included in this instruction manual.

Please read these instructions carefully before starting installation and keep for future reference.

Remove all packaging and check the product for missing parts or damage before starting installation.

Any alterations made to this product and fittings may infringe water regulations and will invalidate the guarantee.

The installation must comply with all Local/National Water Supply Authority Regulations/Byelaws and Building and Plumbing Regulations.

To be installed in accordance with BS EN806.

We strongly recommend that you use a qualified and registered plumber.

## General Care and Safety

When installing, screws must locate into suitably reinforced studs and noggins. If installed incorrectly this product can be dangerous. It is the installer's responsibility to check that the fixings are suitable for the installation at hand.

Beware of hidden cables or pipes when drilling; the use of a residual current device (RCD) is recommended.

Do not add caustic chemical substances (containing chlorine compounds or similar) into the cistern, these may damage the valve components and in turn cause failure/leaks.

Before enclosing the frame, the system must be first tested for leaks before 2nd fix commences. The pan will need to be held in place on the frame, the water supply turned on, and the product flushed.

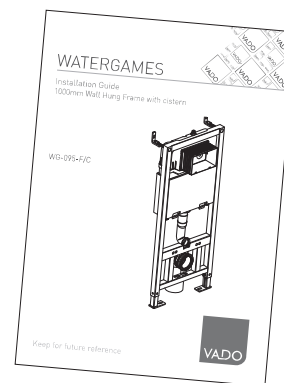
When installed, the fitting must comply with the requirements of the Water Supply (Water Fittings) Regulations 1999 and Scottish Byelaws 2004.

For further information, contact the Water Regulations department of your local water supplier (see the WRAS website [www.wras.co.uk](http://www.wras.co.uk) for details) or the Water Regulations Advisory Scheme by email ([info@wras.co.uk](mailto:info@wras.co.uk)) or telephone: 01495848454.

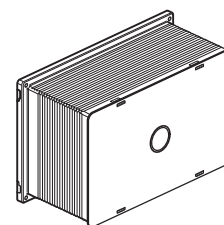
Please take great care when installing this product not to damage its surface.

Please note if installing in an enclosed environment, access should be left for servicing and maintenance. No costs relating to inadequate access can be accepted.

## Contents of Packaging



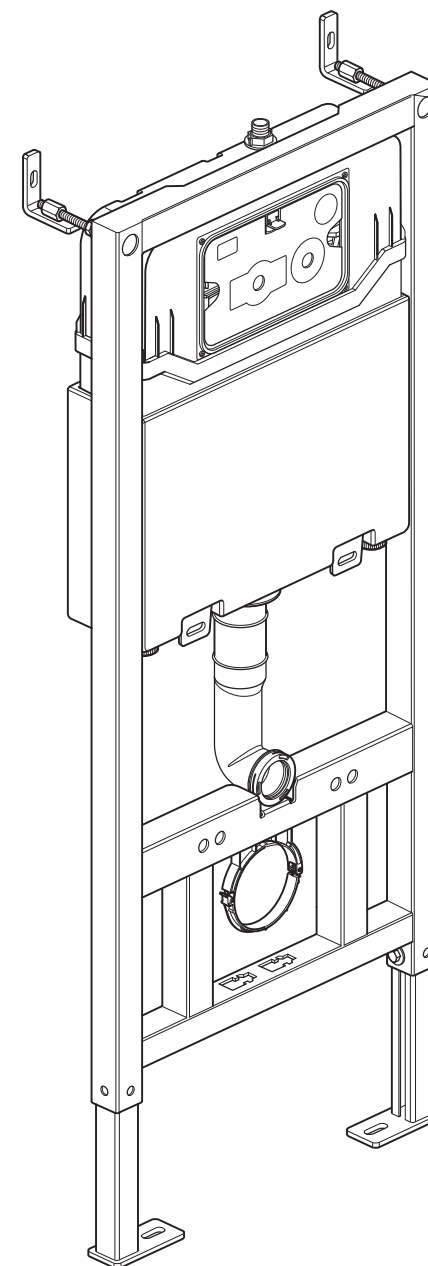
**Installation &  
User guide**



**Install box**

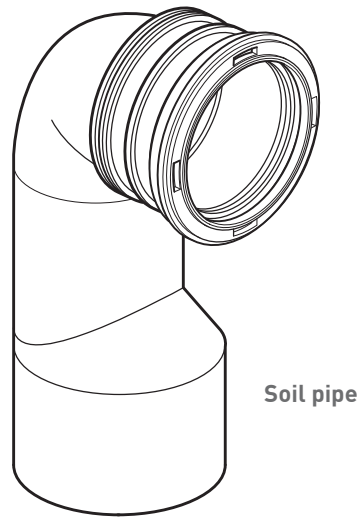


**Screws x 4**

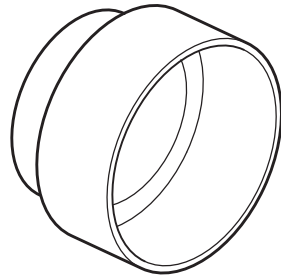
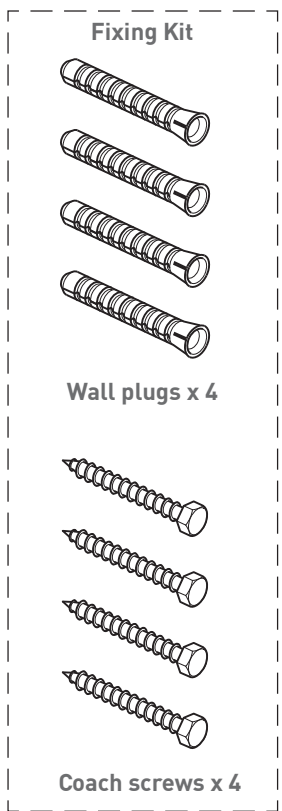


**Frame**

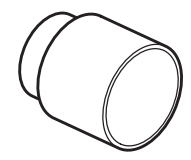
# Contents of Packaging



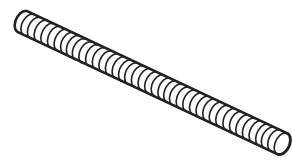
Soil pipe



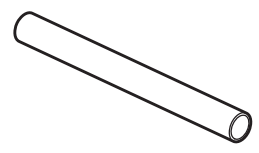
Waste mortar guard



Inlet mortar guard

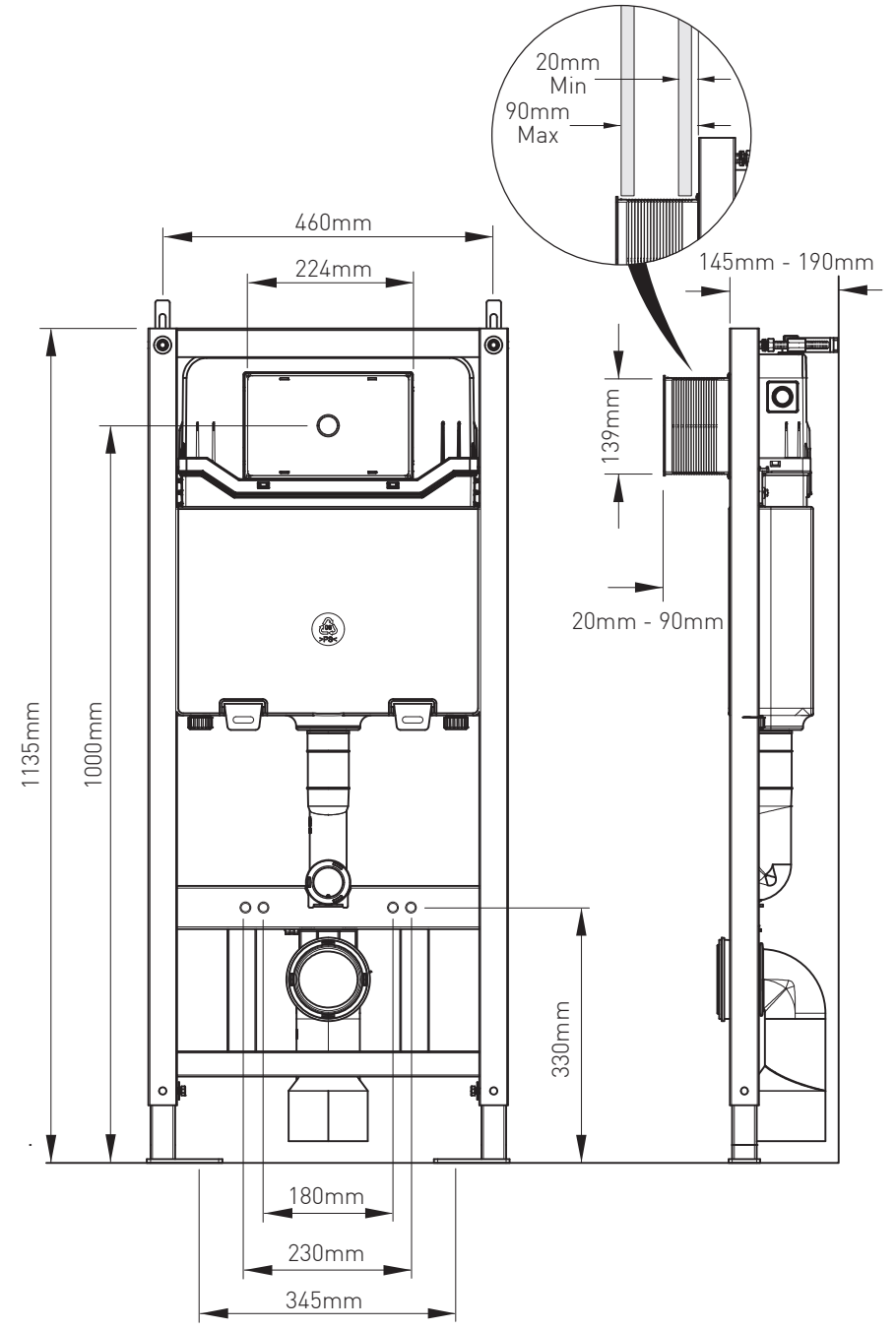


Bolts x 2

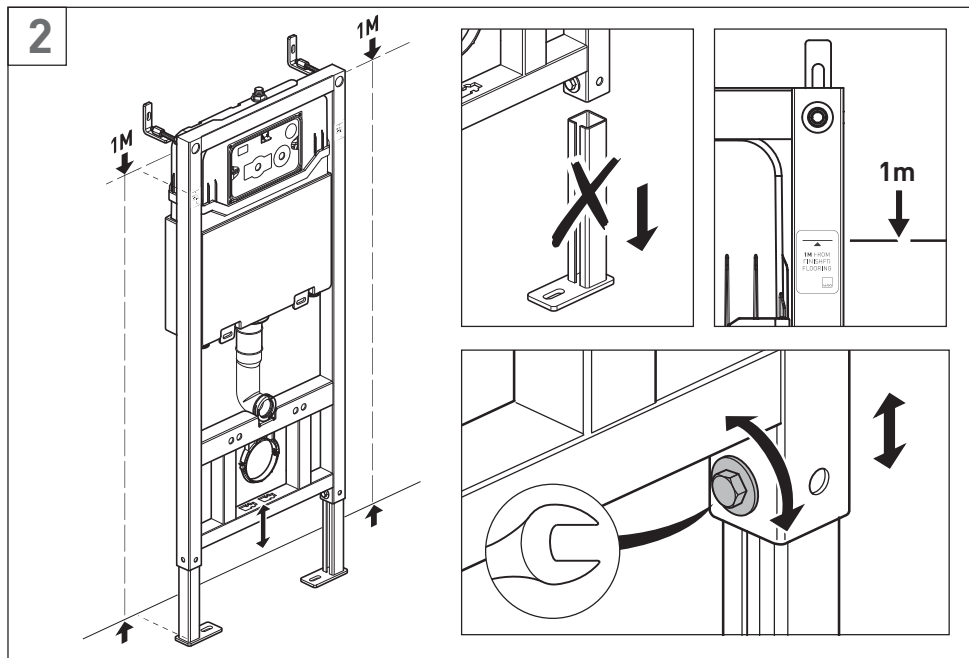
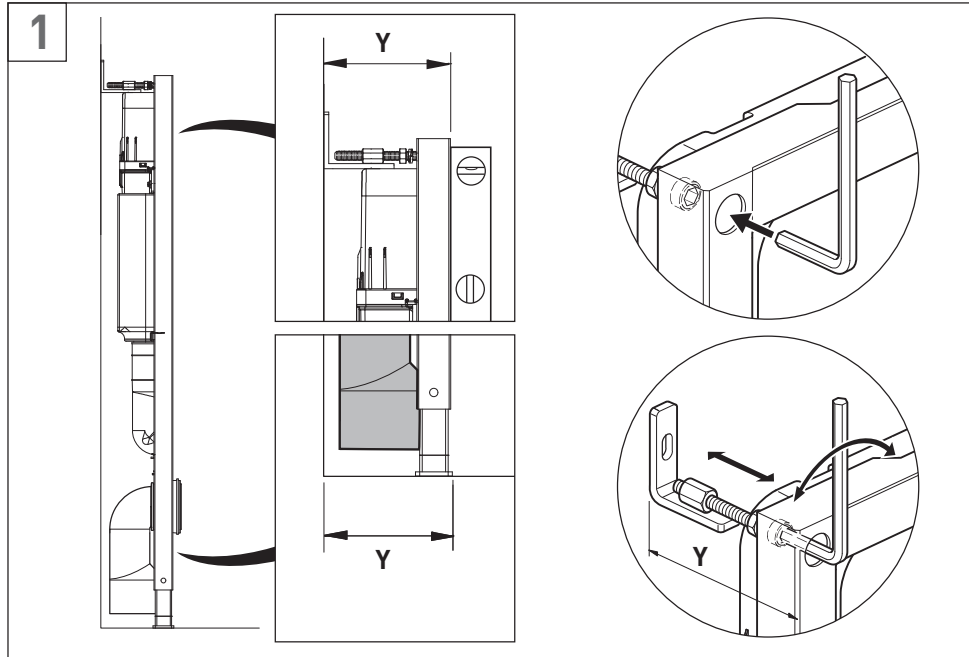


Bolt mortar guards x 2

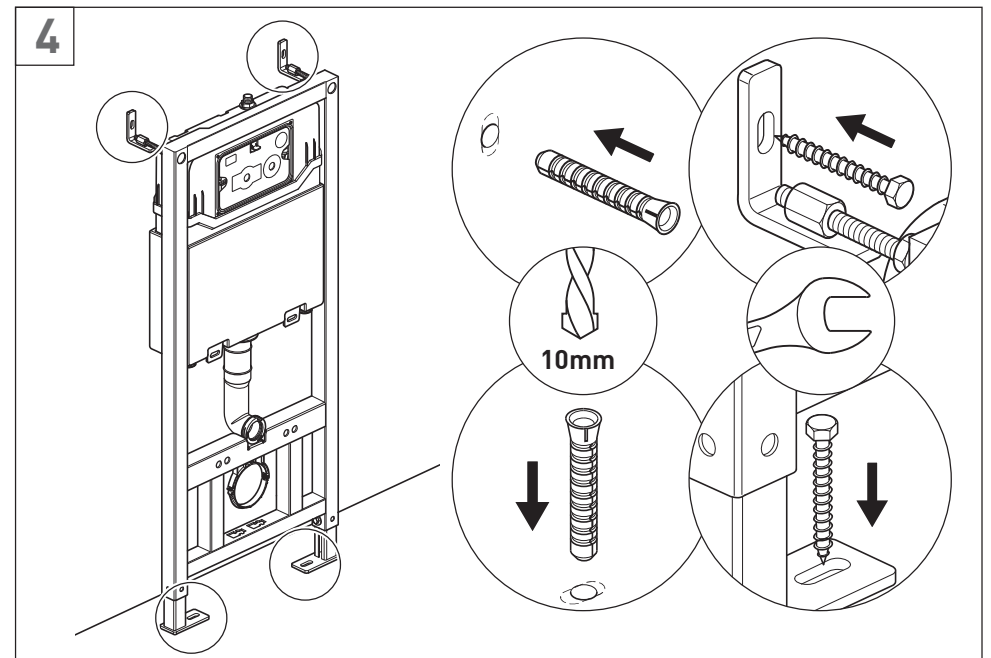
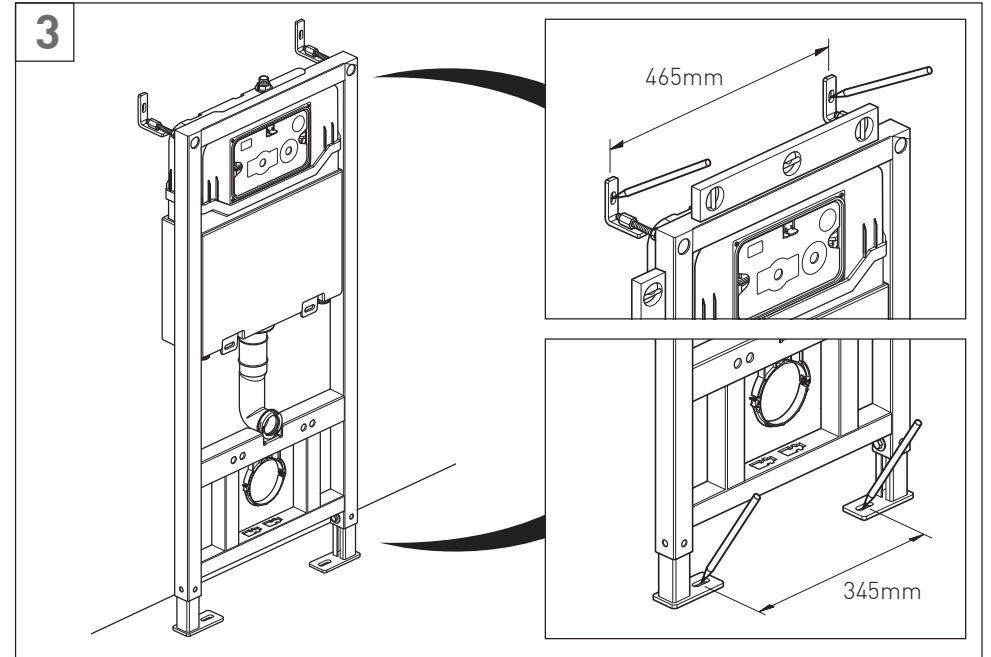
# Dimensions



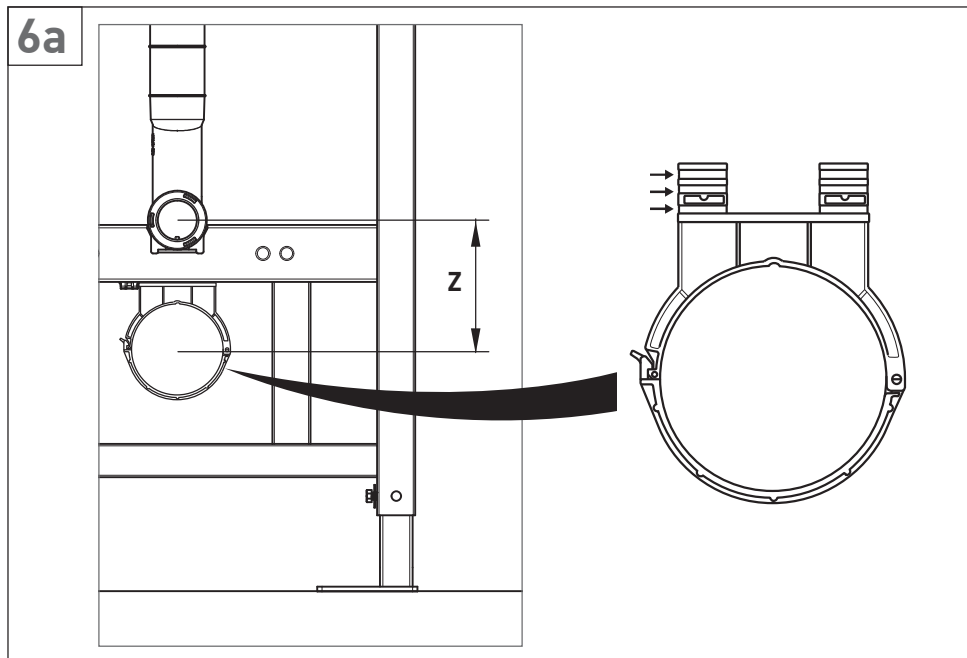
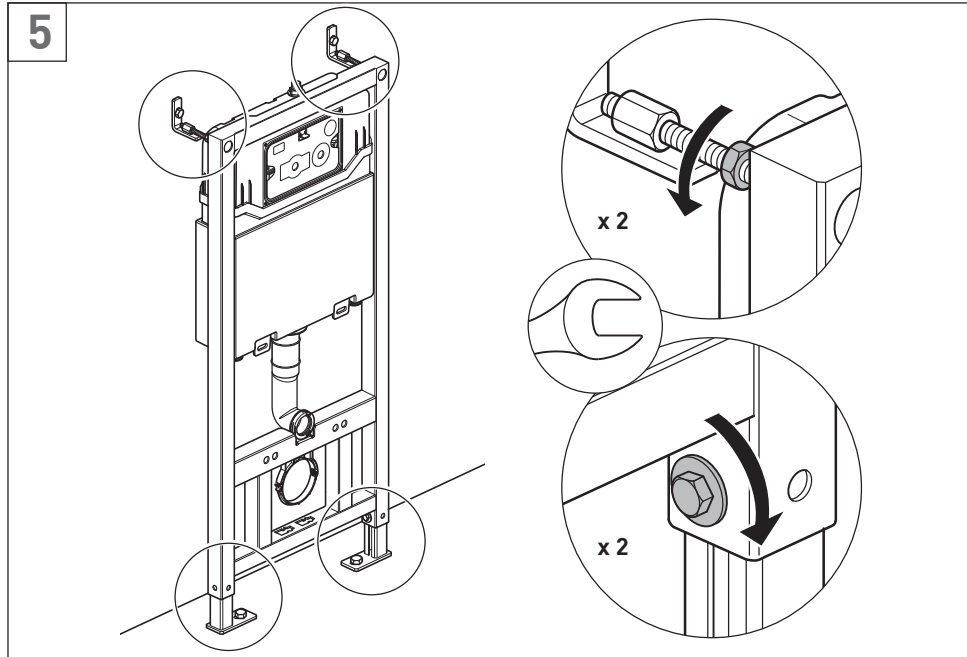
# Installation



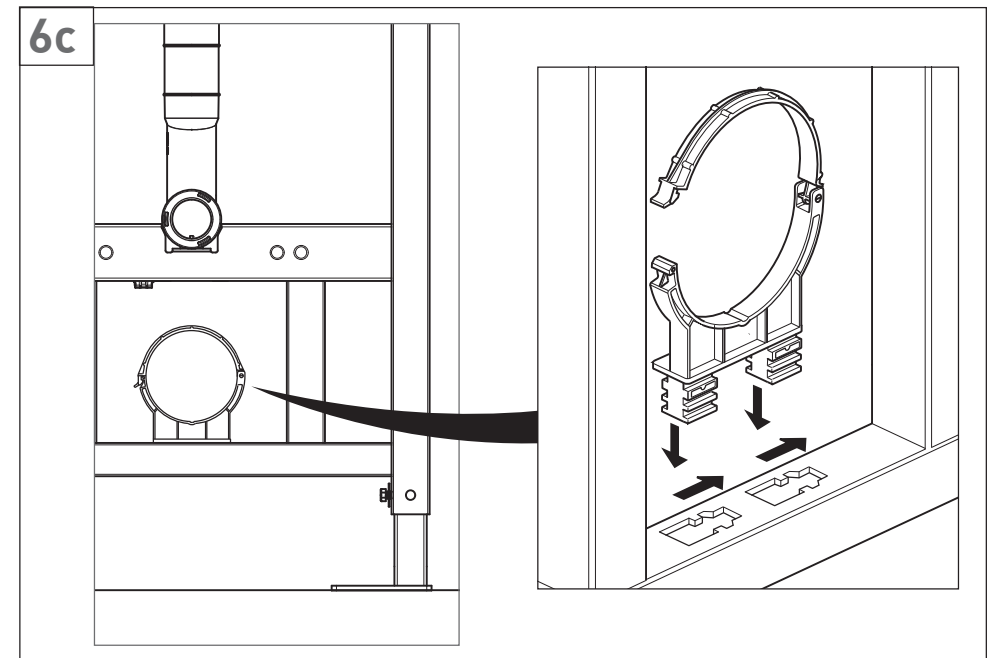
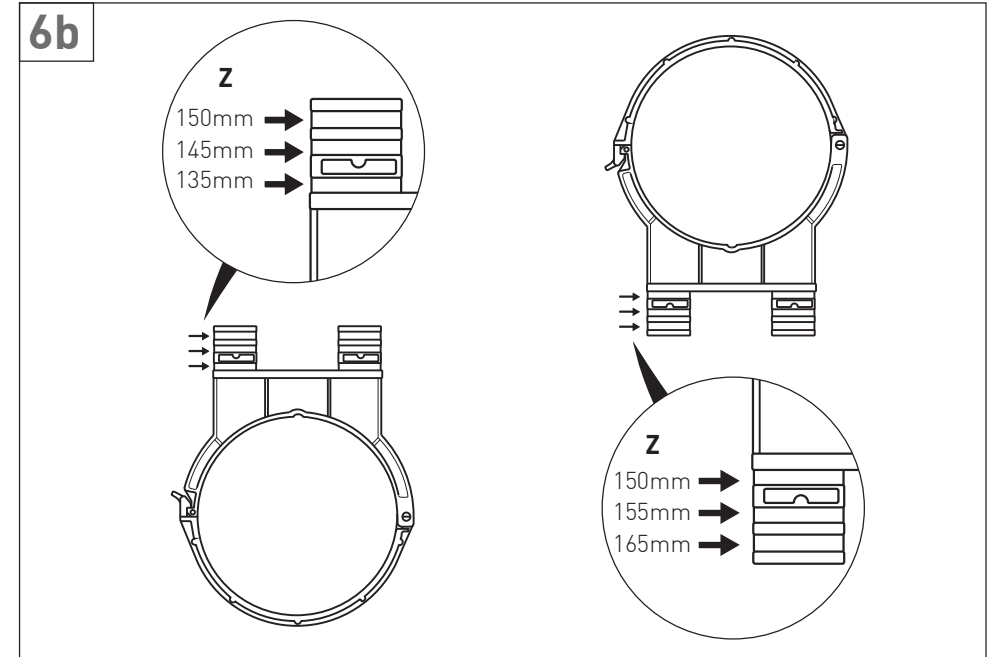
# Installation



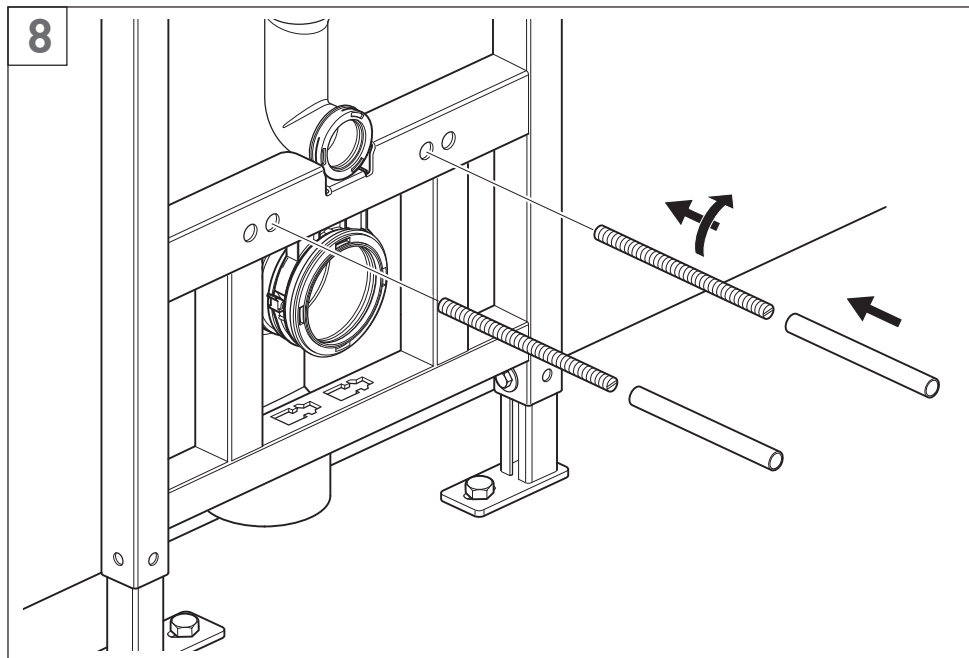
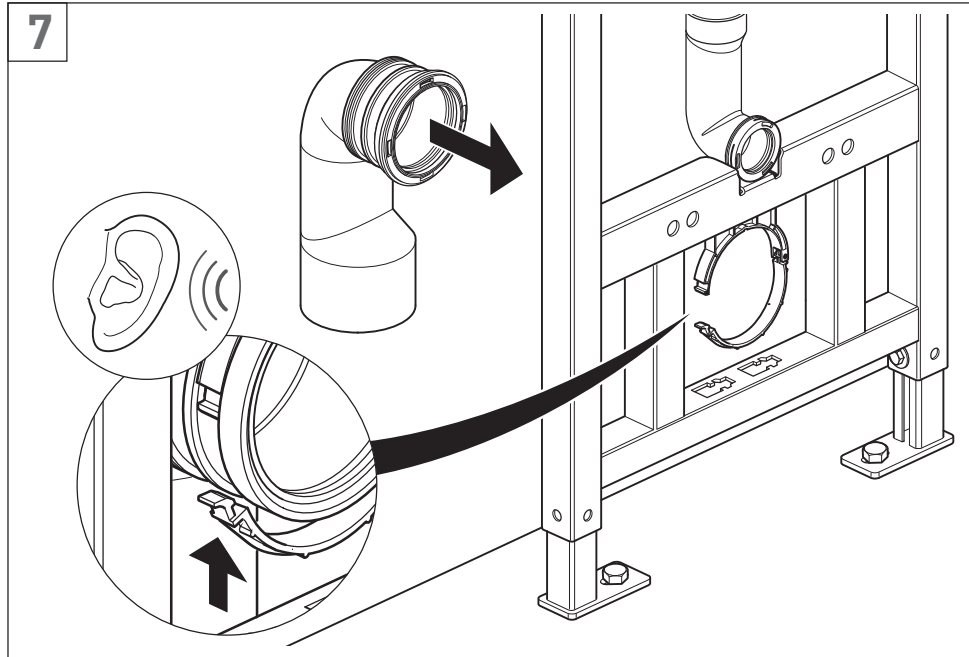
# Installation



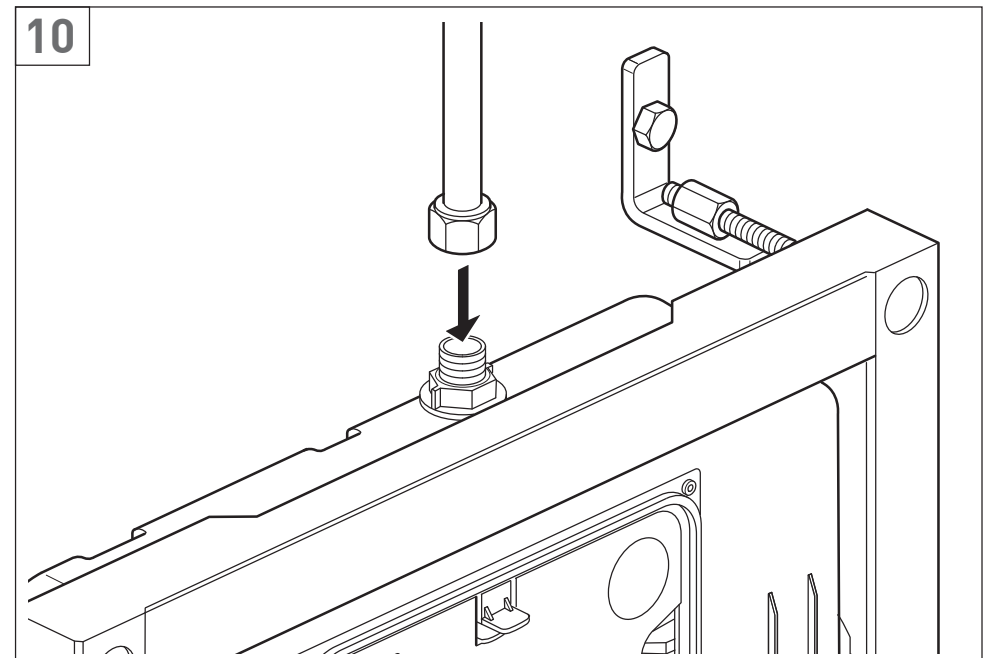
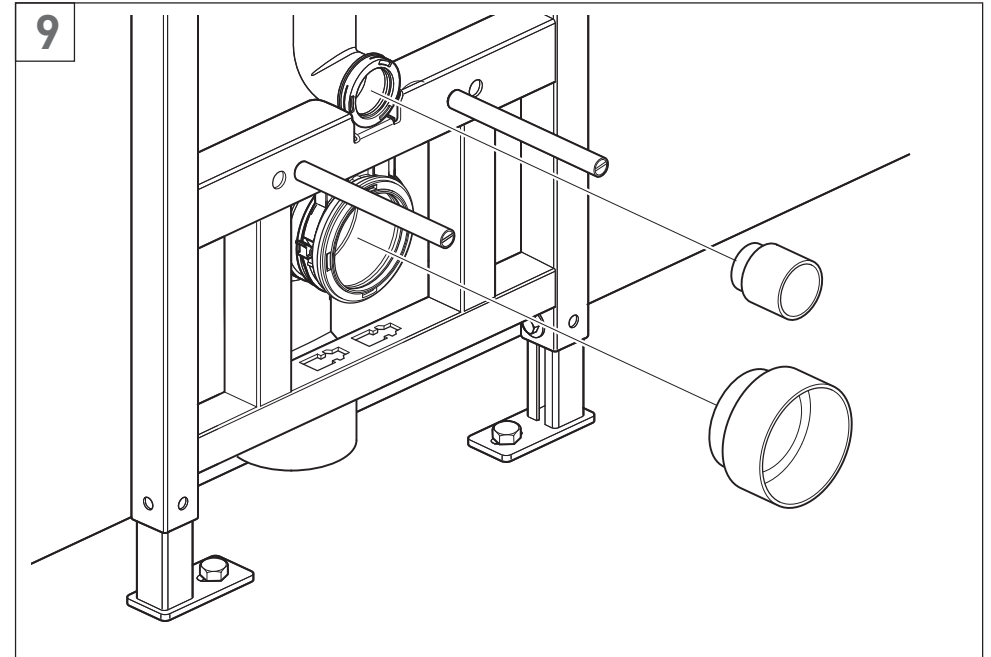
# Installation



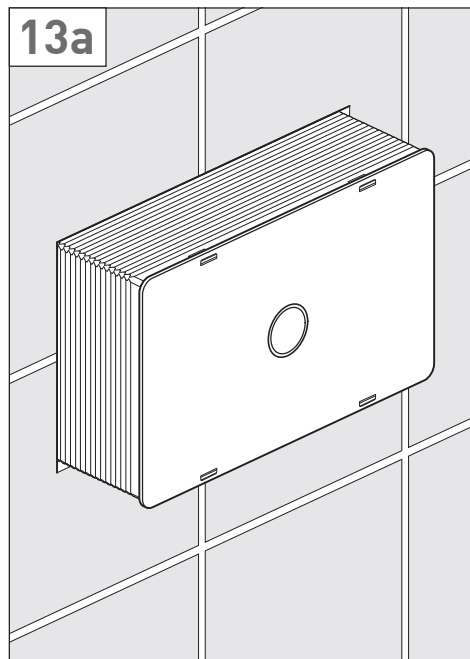
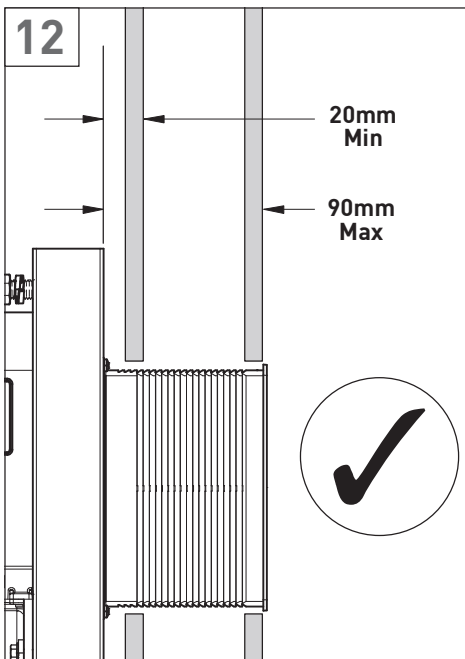
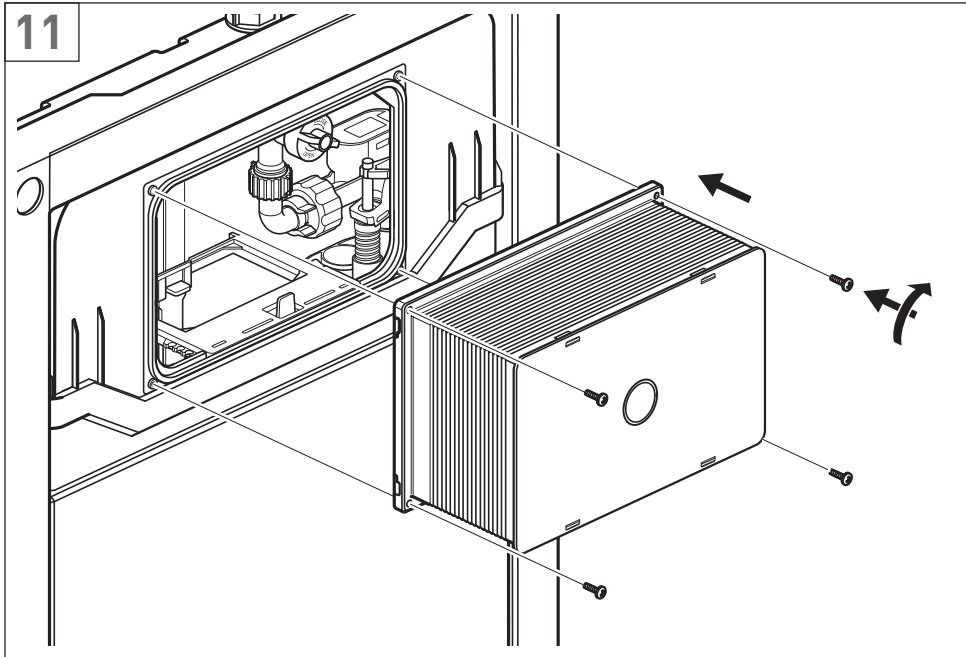
# Installation



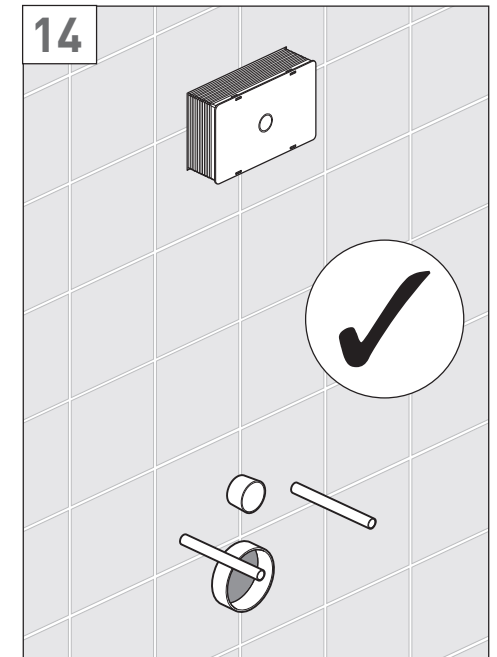
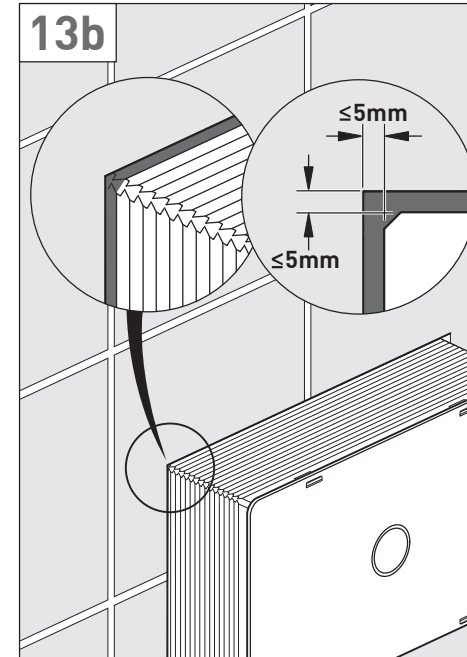
# Installation



# Installation

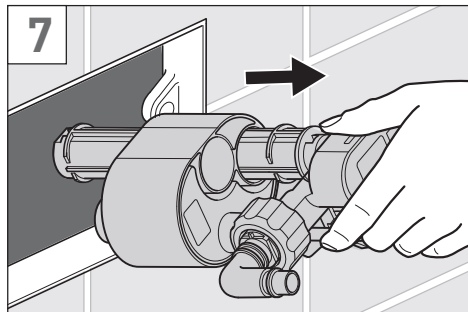
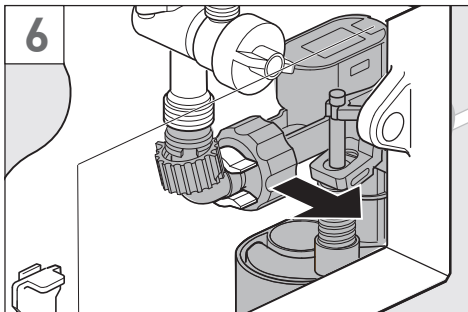
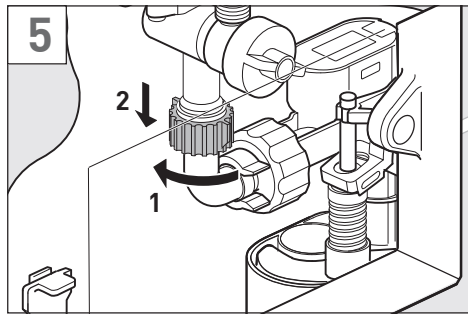
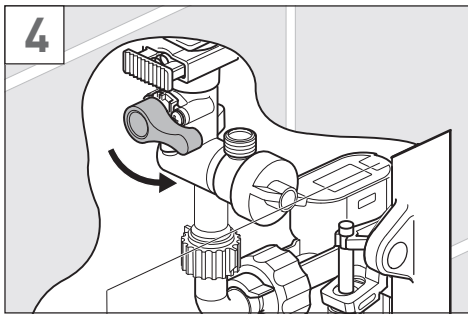
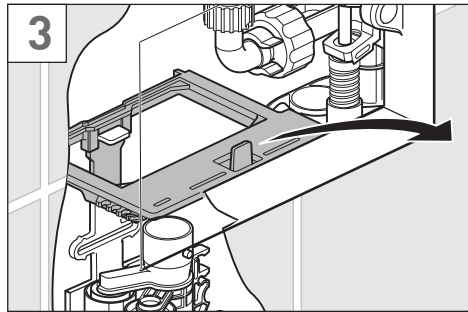
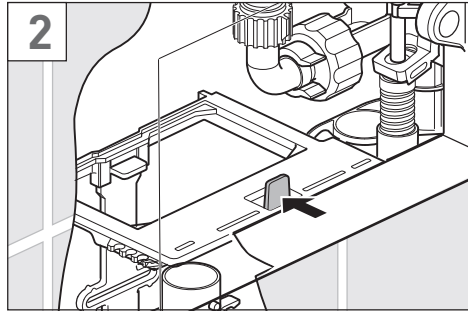
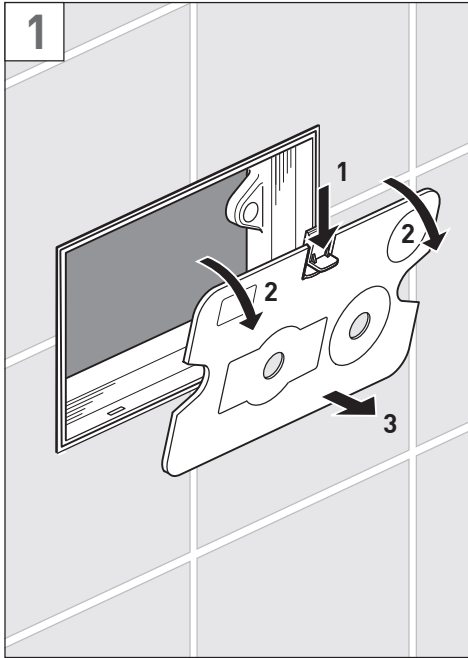


# Installation

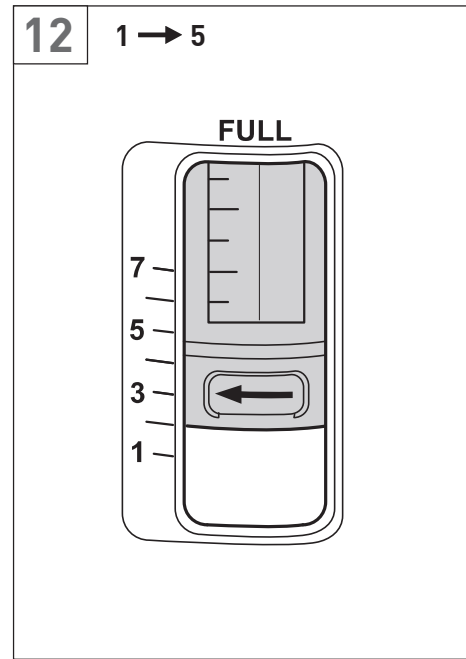
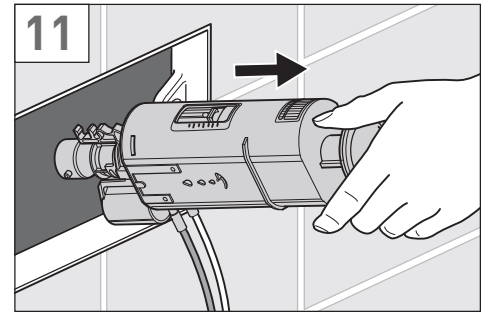
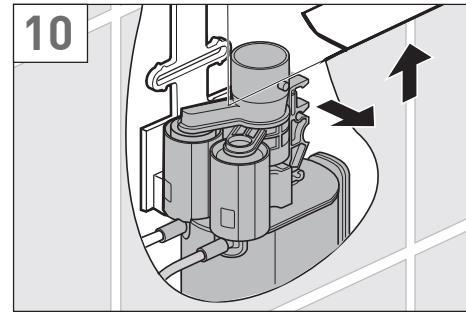
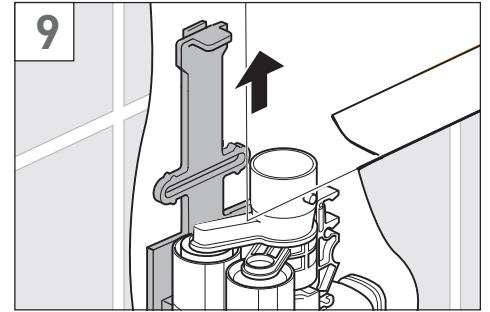
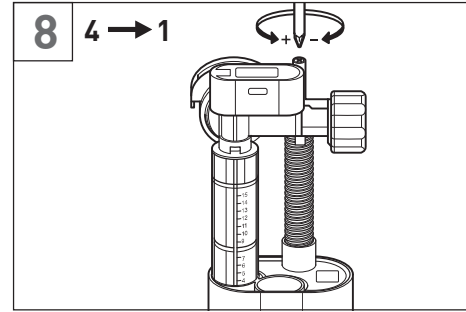


For instructions on how to side-mount the product, spares and guarantee information please visit our website at <https://www.vado.com/sites/default/files/flush-cisterns-install-instructions.pdf> or by scanning the QR code:

# Flow Adjustment (6/3 Litres ----> 4/2.6 Litres)



# Flow Adjustment (6/3 Litres ----> 4/2.6 Litres)

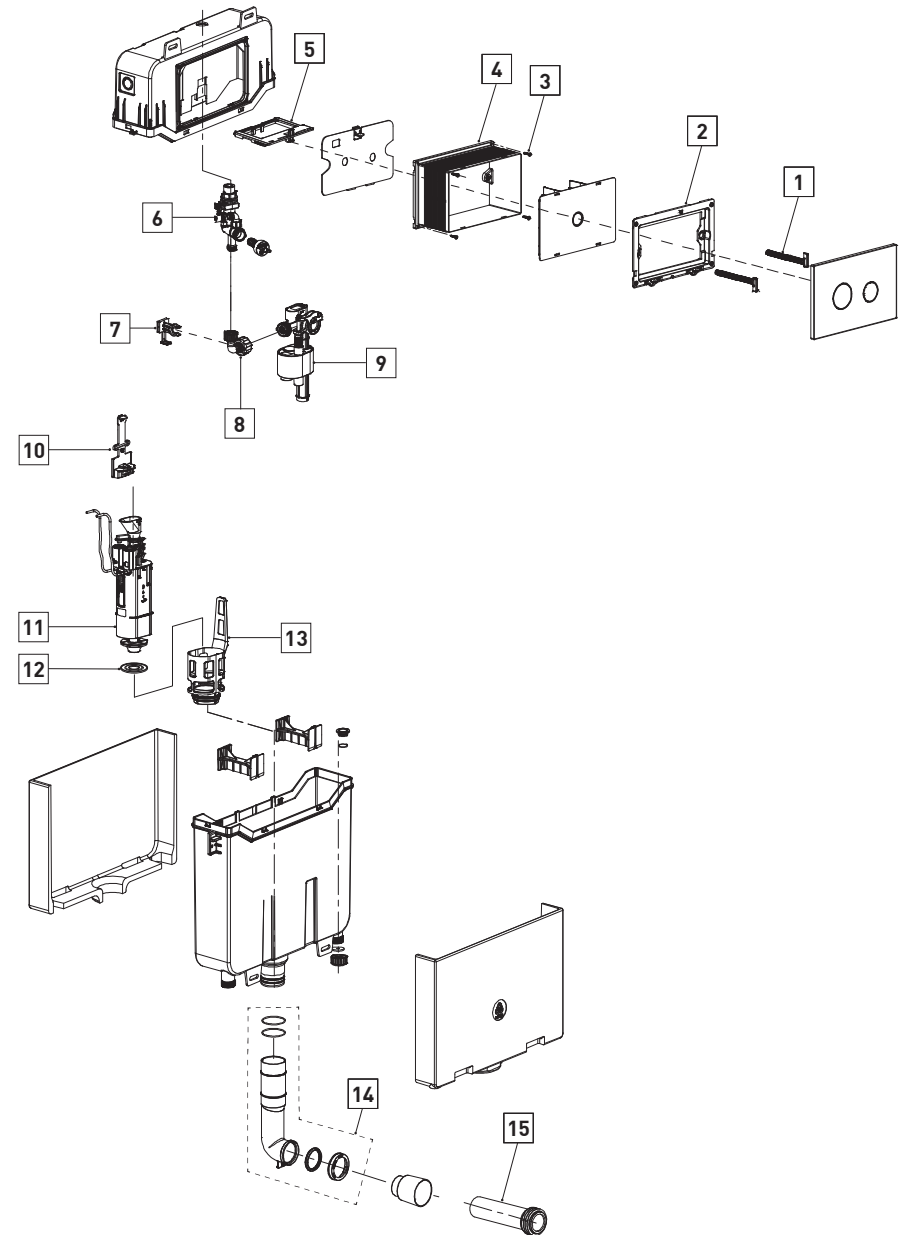




## Parts list:

Item	Part	Code	Qty
1	Plate connecting rods	WG-095-18	1
2	Faceplate bracket	WG-095-02	1
3	Install box screw set	WG-095-08	1
4	Standard access install box	WG-095-06	1
5	Standard flush valve bracket 2	WG-095-14	1
6	Standard inlet connection with filter & ball valve	WG-095-16	1
7	Standard inlet bracket	WG-095-25	1
8	Standard inlet connection	WG-095-26	1
9	Fill valve	WG-095-29	1
10	Standard flush valve bracket 1	WG-095-12	1
11	Standard Flush valve	WG-095-21	1
12	Standard Flush valve gasket	WG-095-23	1
13	Standard Flush valve base	WG-095-19	1
14	Standard flush bend pipe	WG-095-10	1
15	Flush pipe	WG-095-09	1

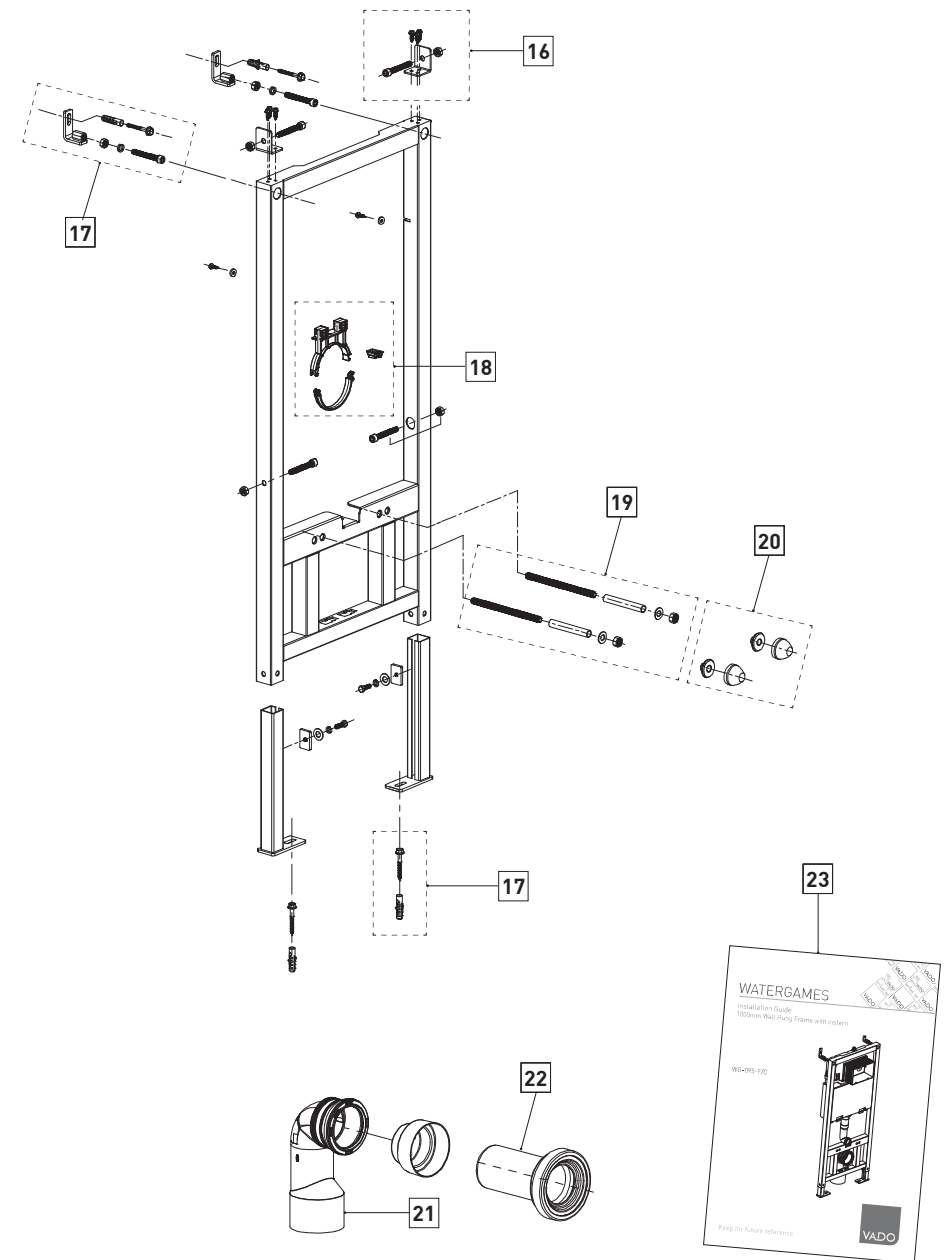
## Parts:



## Parts list:

Item	Part	Code	Qty
16	L bracket set	WG-095-32	1
17	Wall and floor set	WG-095-31	1
18	Retaining clip for outlet pipe	WG-095-30	1
19	Threaded rod set	WG-095-04	1
20	Decorative cap to suit threaded rods	WG-095-05	1
21	Ø110mm outlet elbow	WG-095-01	1
22	Straight pipe	WG-095-03	1
23	Manuals	Installation Guide & User Manual	1

## Parts:



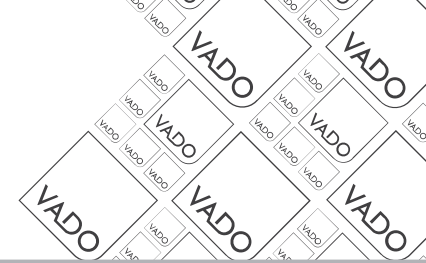


where inspiration flows

# WATERGAMES

---

Installation Guide  
Connecting set for toilet



This instruction booklet covers these models:

WG-095-S-F/C, WG-095A-S-F/C

WG-095-S-F/C  
WG-095A-S-F/C

Vado  
Wedmore Road, Cheddar, Somerset, England BS27 3EB  
tel 01934 744466 fax 01934 744345  
aftersales@vado.com  
www.vado.com



## Important - please read

VADO reserves the right to make technical improvements and enhance the appearance of the products included in this instruction manual.

Please read these instructions carefully before starting installation and keep for future reference.

Remove all packaging and check the product for missing parts or damage before starting installation.

Any alterations made to this product and fittings may infringe water regulations and will invalidate the guarantee.

The installation must comply with all Local/National Water Supply Authority Regulations/Byelaws and Building and Plumbing Regulations.

To be installed in accordance with BS EN806.

We strongly recommend that you use a qualified and registered plumber.

## General Care and Safety

When installing, screws must locate into suitably reinforced studs and noggins. If installed incorrectly this product can be dangerous. It is the installer's responsibility to check that the fixings are suitable for the installation at hand.

Beware of hidden cables or pipes when drilling; the use of a residual current device (RCD) is recommended.

Do not add caustic chemical substances (containing chlorine compounds or similar) into the cistern, these may damage the valve components and in turn cause failure/leaks.

Before enclosing the frame, the system must be first tested for leaks before 2nd fix commences. The pan will need to be held in place on the frame, the water supply turned on, and the product flushed.

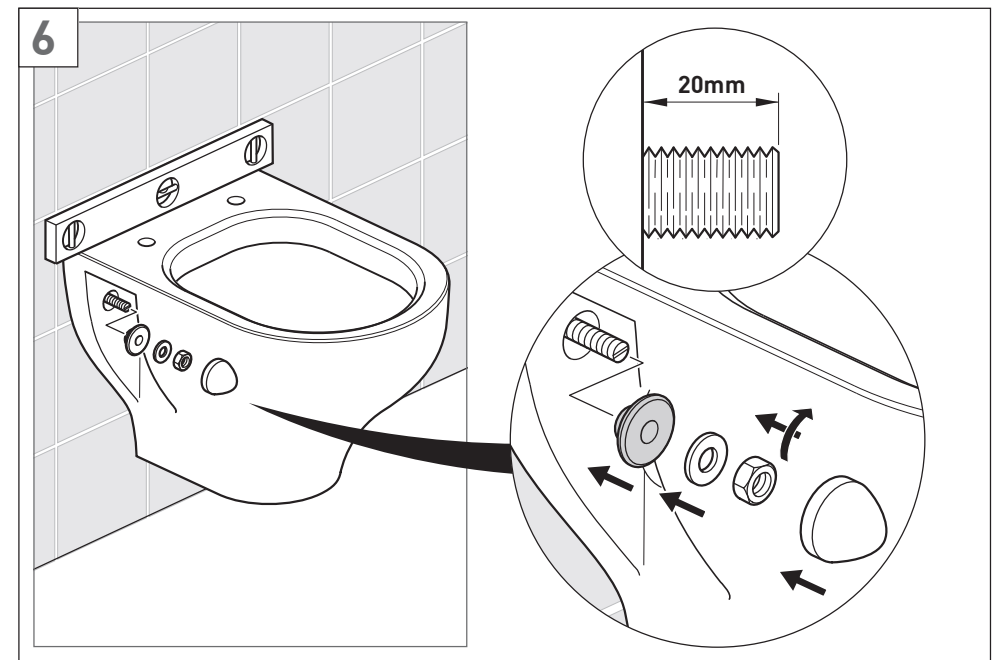
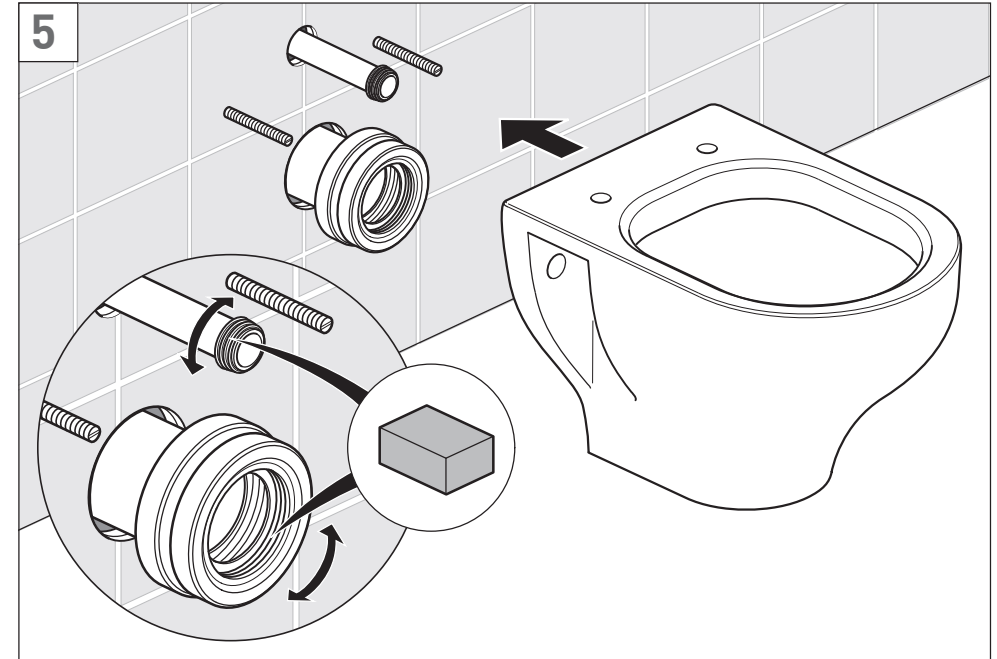
When installed, the fitting must comply with the requirements of the Water Supply (Water Fittings) Regulations 1999 and Scottish Byelaws 2004.

For further information, contact the Water Regulations department of your local water supplier (see the WRAS website [www.wras.co.uk](http://www.wras.co.uk) for details) or the Water Regulations Advisory Scheme by email ([info@wras.co.uk](mailto:info@wras.co.uk)) or telephone: 01495848454.

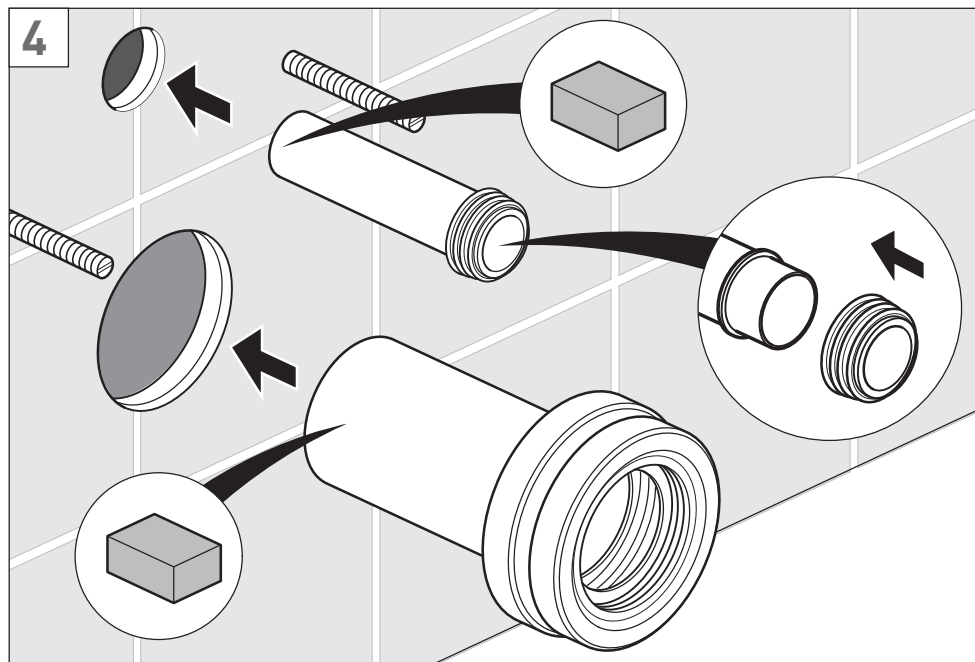
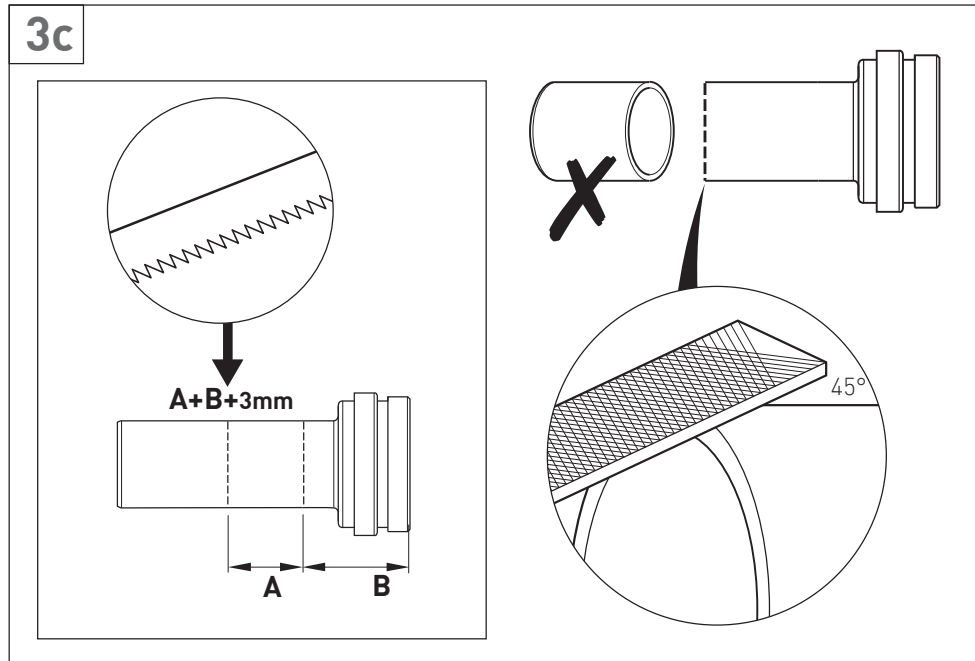
Please take great care when installing this product not to damage its surface.

Please note if installing in an enclosed environment, access should be left for servicing and maintenance. No costs relating to inadequate access can be accepted.

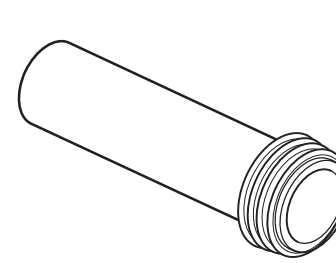
## Installation



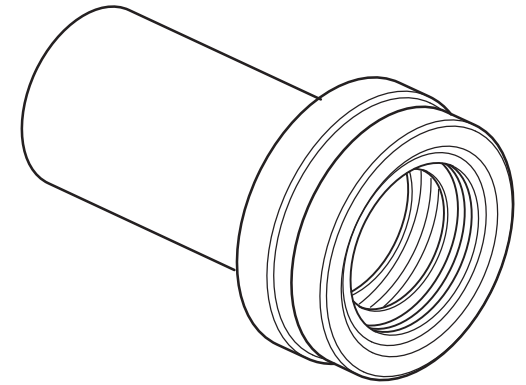
# Installation



# Contents of Packaging



Inlet pipe



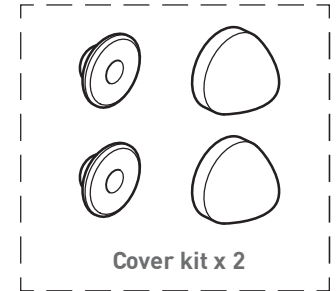
Waste extension pipe



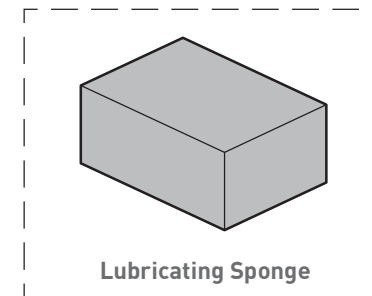
Metal Washers x 2



Nuts x 2

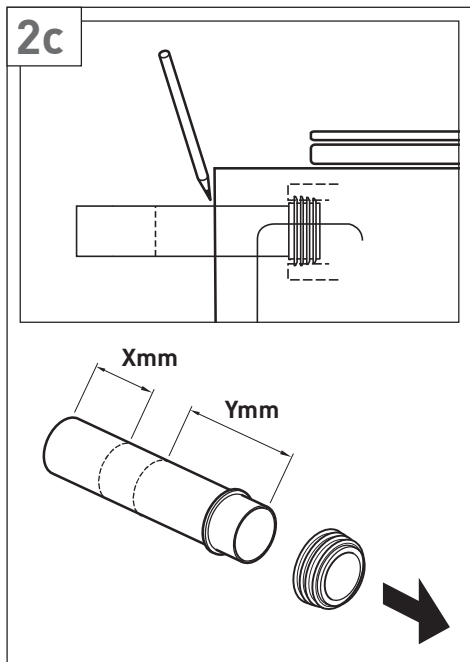
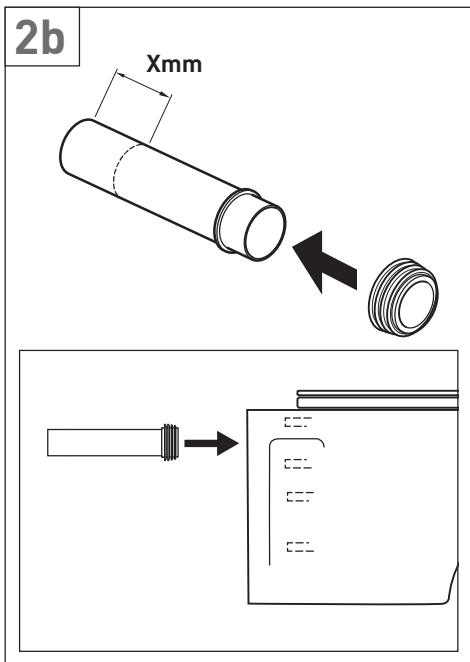
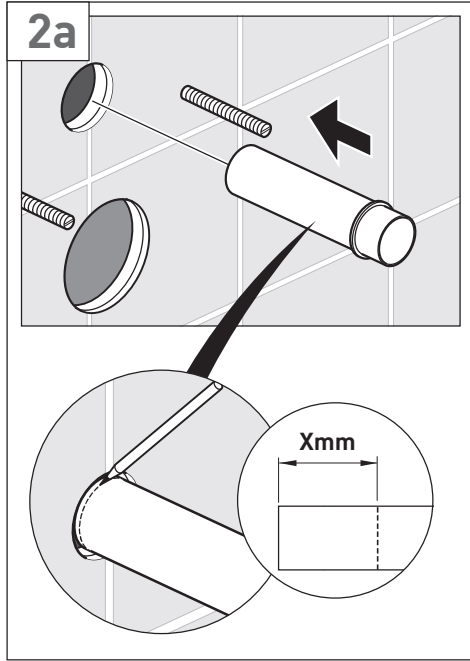
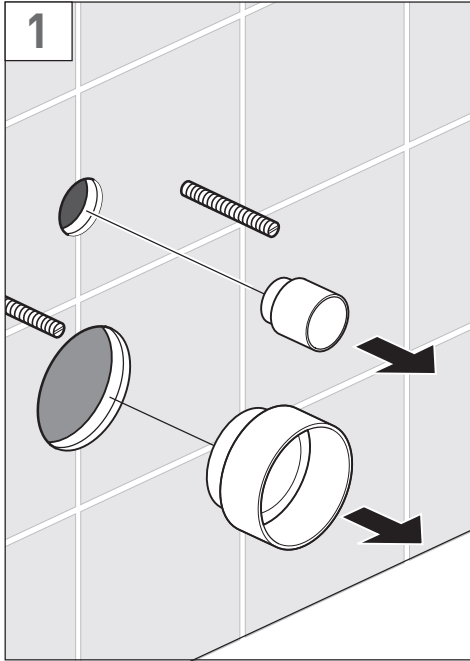


Cover kit x 2



Lubricating Sponge

# Installation



# Installation

