

SPECIFICATION SHEET

COLLECTION: SENSE

PRODUCT CODE: SEN-100EF/SB-C/P



TAP TYPE

Basin Mixer

COLLECTION NAME

Sense

FINISH

Chrome

RECOMMENDED FLOW REGULATOR

5 l/m flow regulator fitted as standard

MINIMUM OPERATING PRESSURE

0.2 Bar LP

MAXIMUM OPERATING PRESSURE

5.0 Bar LP

GUARANTEE

15 Year Guarantee

HANDLES

Single Lever

WITH ECOTURN COLD START TECHNOLOGY

No

tel: 01934 744466
email: sales@vado.com
www.vado.com

WHERE INSPIRATION FLOWS
TAPS | SHOWERS | ACCESSORIES



SPECIFICATION SHEET

COLLECTION: SENSE

PRODUCT CODE: SEN-100EF/SB-C/P

WITH WATER FLOW STRAIGHTENER

No

WITH WATER FLOW AERATOR

Yes

CONNECTIONS / FITTINGS

2 x 1/2" 550mm flexipipe connections

SPARE PARTS

ceramic cartridge CAR-K40A

DECK HOLE DRILL DIAMETER

35mm

MOUNTING

Deck Mounted

PLUMBING SYSTEM SUITABILITY

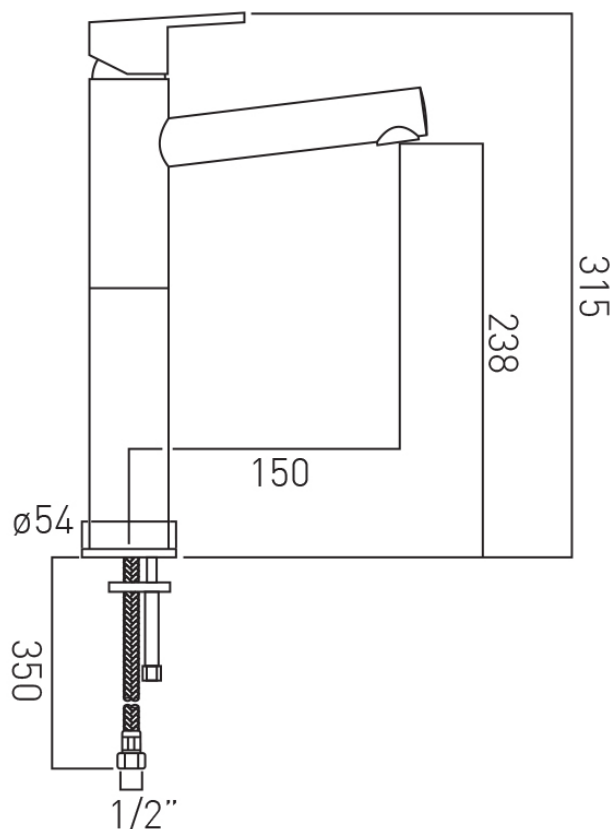
Gravity System, Pumped System, Combination Boiler, Pressurised System



TECHNICAL DRAWING

COLLECTION: SENSE

PRODUCT CODE: SEN-100EF/SB-C/P



tel: 01934 744466
email: sales@vado.com
www.vado.com

WHERE INSPIRATION FLOWS
TAPS | SHOWERS | ACCESSORIES

