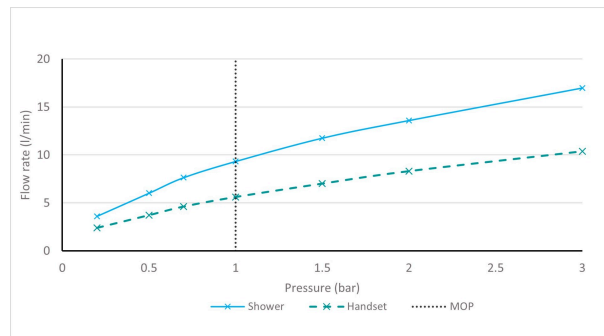


SPECIFICATION SHEET

COLLECTION: CAMEO

PRODUCT CODE: CAM-149T-RRK-CP



SHOWER TYPE

Shower Column

WITH AIR-INJECTION TECHNOLOGY

No

WITH CROSS-SPRAY TECHNOLOGY

No

ADJUSTABLE FIXING FOR EASY RETRO FIT

No

SHOWER HEAD SIZE

300mm x 200mm

WITH SHOWER KIT

No

VALVE TYPE

Exposed

WITH EASY-FIT BRACKETS

Yes

WITH INTEGRATED DIVERTER

Yes

tel: 01934 744466
email: sales@vado.com
www.vado.com

WHERE INSPIRATION FLOWS
TAPS | SHOWERS | ACCESSORIES



SPECIFICATION SHEET

COLLECTION: CAMEO

PRODUCT CODE: CAM-149T-RRK-CP

WITH THERMOSTATIC TECHNOLOGY

Yes

WITH WATER FLOW STRAIGHTENER

No

INSTALLATION TOLERANCES

476mm height adjustment tolerance: min 786mm – max 1262mm, 24mm depth adjustment tolerance: min 66mm – max 90mm

CONNECTIONS / FITTINGS

3/4" easy-fit brackets included

SPARE PARTS

thermostatic cartridge V-704-34S, flow cartridge C-801-33/2P

STYLE

Square

MOUNTING

Wall Mounted

PLUMBING SYSTEM SUITABILITY

Pressurised System

COLLECTION NAME

Cameo

FINISH

Chrome

MINIMUM OPERATING PRESSURE

1.0 Bar MP

MAXIMUM OPERATING PRESSURE

5.0 Bar HP

SPECIFICATION SHEET

COLLECTION: CAMEO

PRODUCT CODE: CAM-149T-RRK-CP

GUARANTEE

15 Year Guarantee

tel: 01934 744466
email: sales@vado.com
www.vado.com

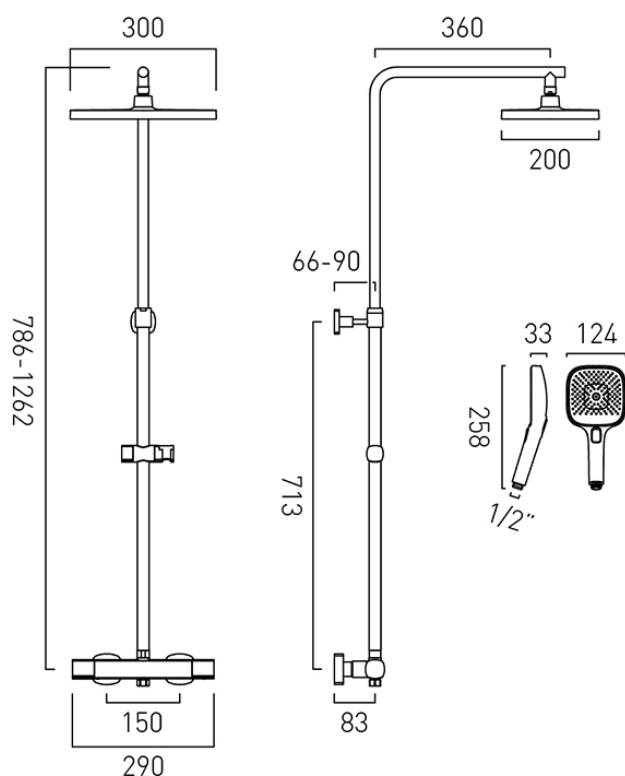
WHERE INSPIRATION FLOWS
TAPS | SHOWERS | ACCESSORIES



TECHNICAL DRAWING

COLLECTION: CAMEO

PRODUCT CODE: CAM-149T-RRK-CP



tel: 01934 744466
email: sales@vado.com
www.vado.com

WHERE INSPIRATION FLOWS
TAPS | SHOWERS | ACCESSORIES

