

# PRODUCT DATA SHEET



## PRODUCT CODE

VR121WNC

## RANGE

VERGE

## DESCRIPTION

Verge Wall Mounted 2 Hole Set Chrome

MIN. PRESSURE 1.0 Bar

MAX. PRESSURE 5.0 Bar

PRESSURE (BAR) FLOWRATE

LOW 0.2 2.2

MID 0.5 3.49

1 4.66

2 4.97

HIGH 3 4.44

4 4.48

5 4.65

COLOUR Chrome

MATERIAL Brass

FINISH APPLICATION Electroplating

INSTALLATION TYPE Wall Mounted

STANDARDS EN 200:2008

HEADWORK 35mm Single Lever  
Ceramic Cartridge

INLET CONNECTIONS THREAD G1/2"

FLOW REGULATOR M24x1 Screw Housing

TAP HOLES 2

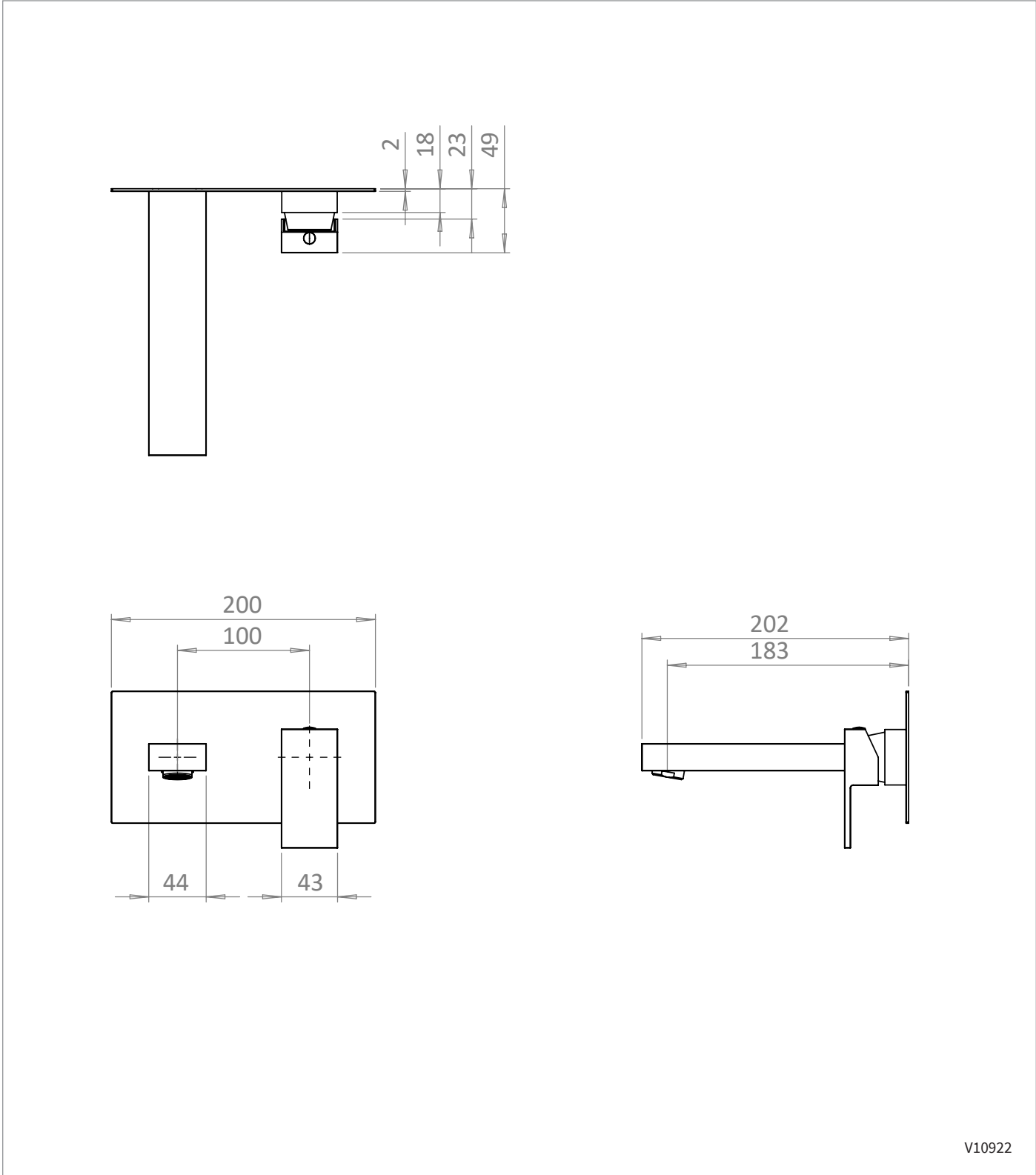
WEIGHT 2.18kg

WARRANTY 15 Years

**TECHNICAL DIMENSIONS**

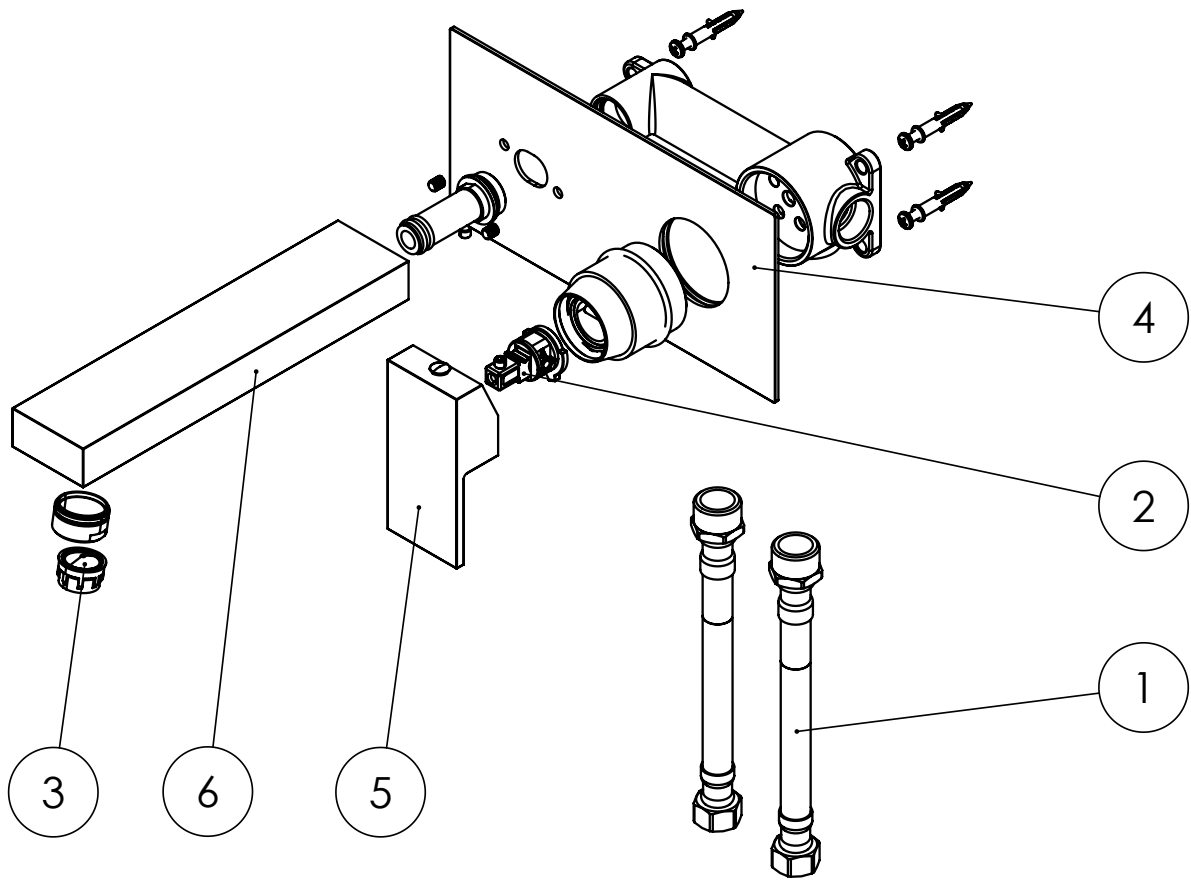
Dimensions in mm unless otherwise specified.

Tolerances (per material type) apply.



V10922

## SPARES DIAGRAM



Only the parts labelled are available as spares.

V10922

## SPARES DIAGRAM

NUMBER	PART CODE	DESCRIPTION
1	A031120200	VR112 Flexible Hose
2	A031140400	VR121 Cartridge
3	A031111000	VR110/112/121 Chrome Aerator
	A031111001	VR110/112/121 Matt Black Aerator
	A031111002	VR110/112/121 Brushed Brass Aerator
	A031111003	VR110/112/121 Brushed Stainless Steel Effect Aerator
4	A031140200	VR121WNC Chrome Wall Plate
	A031140201	VR121WNM Matt Black Wall Plate
	A031140202	VR121WNF Brushed Brass Wall Plate
	A031140203	VR121WNV Brushed Stainless Steel Effect Wall Plate
5	A031140700	VR121WNC Chrome Lever
	A031140701	VR121WNM Matt Black Lever
	A031140702	VR121WNF Brushed Brass Lever
	A031140703	VR121WNV Brushed Stainless Steel Effect Lever
6	A031141000	VR121WNC Chrome Spout
	A031141001	VR121WNM Matt Black Spout
	A031141002	VR121WNF Brushed Brass Spout
	A031141003	VR121WNV Brushed Stainless Steel Effect Spout

Only the parts labelled are available as spares.

V10922