

Technical Data Sheet

Product Name: In Wall Cistern

Product Code: TR9009

trade

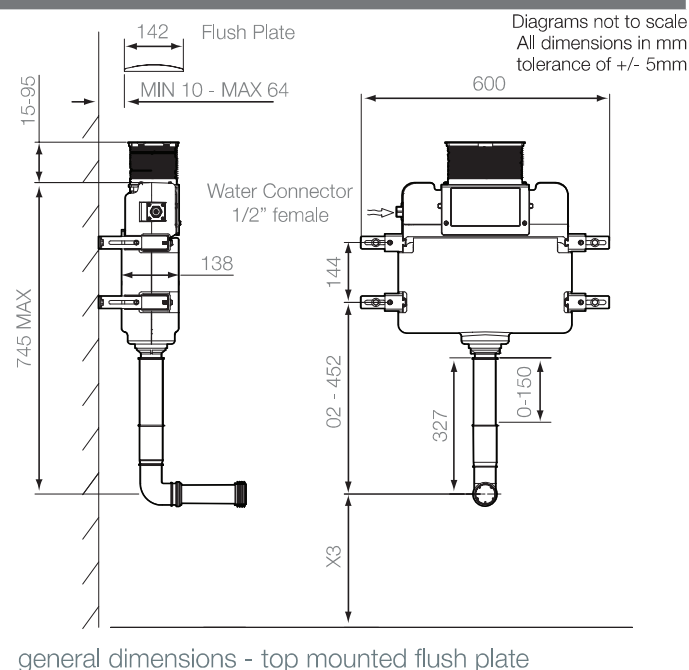
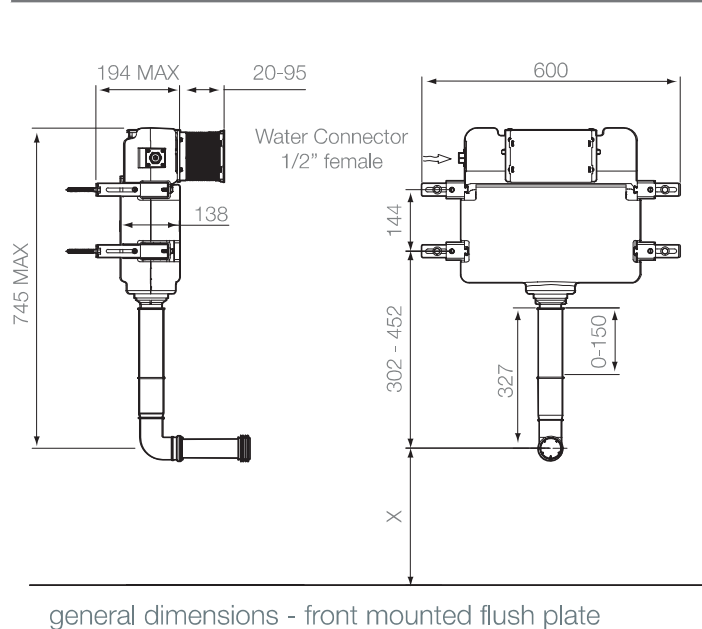
bathroom products



Key Features

- ideal for fully tiled in installations
- all parts serviceable through flush plate aperture
- selection of flush plates available separately
- 3/6 litre flush
- 0.2 - 10 bar working pressure range
- pneumatic flush valve
- side entry inlet valve (1/2" BSP)
- top & front access
- 90° flush pipe
- flush pipe securing bracket
- polystyrene insulation jacket

Dimensions



FAQ's

What is the height of the flush inlet pipe to the pan? 327mm - the pipe can be cut down for different inlet locations

What is the vertical length of the flush pipe to the tank? 177mm to 327mm.

Can I use a flush button rather than a flush plate with this cistern?

Yes, this type of installation is possible, but you must make provision for maintenance of the cistern in lieu of the flush plate.

What depth of void will the tank fit into?

The cistern will fit into a void of 138-194mm. If a deeper void is required, the tank can be mounted on battens.

What thickness of cladding can be used?

Minimum of 20mm - Maximum 95mm for the adjustable flush plate mounting.

trade

Brought to you by the Roper Rhodes Group, Brassmill Lane Trading Estate, Bath, BA1 3JF | Tel: 01225 303 900 Fax: 01225 448 877