

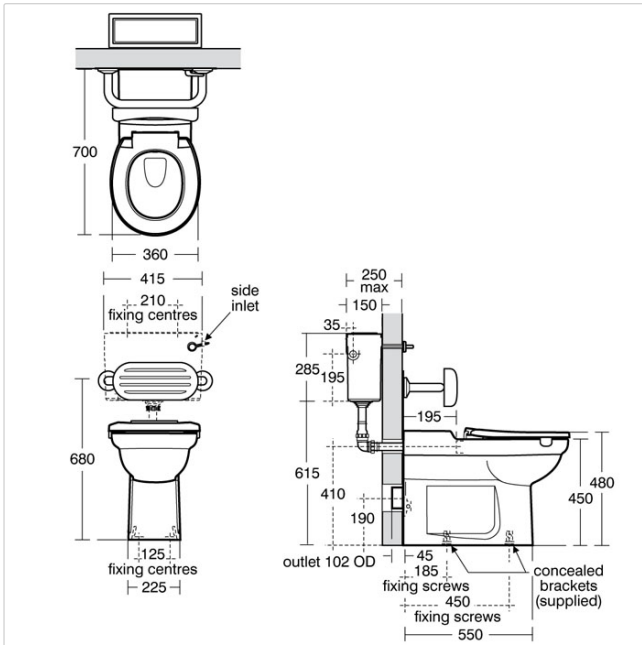


Contour 21 Back To Wall Rimless Raised Height WC Pan, 70cm projection

Illustrated

- S3115** (WC H) Contour 21 back to wall rimless raised height WC pan with floor fixing kit horizontal outlet, 70cm NHS projection
- S4259** Conceala 2 cistern 4.5 Litre syphon low level side supply and internal overflow plastic flushbends, CP lever
- S4066** Contour 21 seat no cover, top fixing hinges and retaining buffers
- S6481** Contour 21 back support rail for 70cm projection HTM64 WC, 40 x 17 x 35mm diameter tube
- S6884** Cushion for back support with clips, new design
- S4302** Contour 21 flushpipe constructed, necessary for installation

Configuration options



Material

Vitreous China

Standards

Vitreous china to BS 3402

Weights

S3115	30.000KG
S4259	2.66KG
S4066	1.52KG
S6481	0.81KG
S6884	3.9KG
S4302	0.39KG

Special Notes

Lever fittings are reversible. S4302 constructed flushbend is multiple part and necessary to enable correct installation of this WC. Pan incorporates full outlet pipe that extends beyond the pan to allow for easier installation and inspection of pipe seal once installed

Colours

White (01)

Designer

Robin Levien, RDI

Frequently used applications

Hospitals (HTM64)

Features

HTM
Special Care
Water Saving

Accreditations

WEPLS
WTL