



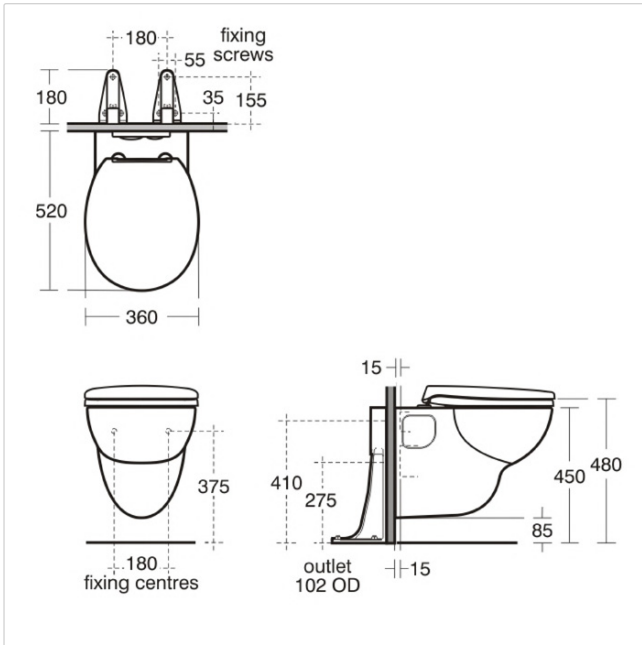
Contour 21 Rimless Wall Mounted WC Pan

Illustrated

- S3076** Contour 21 rimless wall mounted WC pan with horizontal outlet
- S3643** Conceala 2 cistern 4.5/3 Litre dual flush valve side supply and internal overflow, alternative height plastic flushbends
- S4065** Contour 21 seat and cover, top fixing hinges
- S4504** Contemporary flush plate dual flush, Armitage Shanks logo, Stainless Steel for Conceala 2 cisterns
- S9139** Support bracket for wall mounted WC raised height with bolts

Configuration options

- S4259** Conceala 2 cistern 4.5 Litre syphon low level side supply and internal overflow plastic flushbends, CP lever
- S3640** Conceala 2 cistern 4.5 Litre single flush valve side supply and internal overflow, alternative height plastic flushbends
- S3599** Sensorflow 21 WC flushing device, panel mounted sensor complete with concealed valve and 4.5 Litre duct cistern
- S4066** Contour 21 seat no cover, top fixing hinges and retaining buffers
- S4067** Contour 21 seat retaining buffers, white
- S4513** Palm push button Pneumatic, Stainless Steel for 31mm maximum thickness partition
- S4512** Finger push button pneumatic, Stainless Steel for 31mm maximum thickness partition
- S4305** Panekta outlet Connector, finned pattern to convert horizontal outlet WCs to P trap
- S4300** Panekta outlet Connector, finned pattern to convert horizontal outlet WCs to S or turned P trap



Material

Vitreous China

Standards

Vitreous china to BS 3402, BS EN 997 & BS EN 33

Weights

- S3076 20.3KG
- S3643 2.66KG
- S4065 2.7KG
- S4504 0.366KG
- S9139 4.2KG

Special Notes

S9139 support brackets secured to floor within the duct, WC fixed to support brackets with bolts supplied. Joint sealed with waterproof sealant (not supplied). Currently not suitable for in-wall support systems.

Colours

White (01)

Designer

Robin Levien, RDI

Frequently used applications

- Education
- General Healthcare
- Office
- Residential
- Sports and Leisure

Features

- Space Saving
- Water Saving

Accreditations

- WEPLS
- WTL

*Armitage
Shanks*

Tel: 0870 122 8822
 Fax: 0870 122 8282
 Email: info@idealspec.co.uk
 Web: www.idealspec.co.uk

