



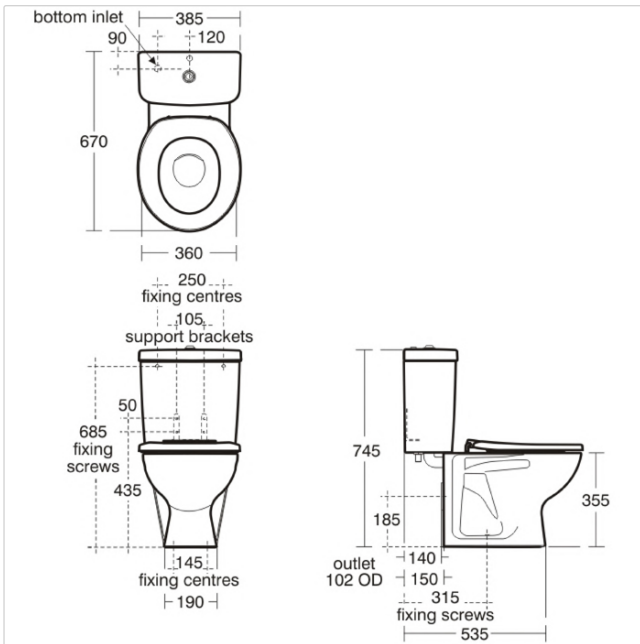
Contour 21 Back To Wall /CC WC Pan 355mm high

Illustrated

- S3047** Contour 21 schools, back to wall and close coupled WC pan with horizontal outlet, 355mm high
- S4259** Conceala 2 cistern 4.5 Litre syphon low level side supply and internal overflow plastic flushbends, CP lever
- S4059** Contour 21 toilet seat no cover for 355mm high pan, bottom fixing hinges
- S9101** Domex screws (pair)

Configuration options

- S3599** Sensorflow 21 WC flushing device, panel mounted sensor complete with concealed valve and 4.5 Litre duct cistern
- S3640** Conceala 2 cistern 4.5 Litre single flush valve side supply and internal overflow, alternative height plastic flushbends
- S4058** Contour 21 toilet seat and cover for 355mm high pan, bottom fixing hinges
- S4067** Contour 21 seat retaining buffers, white
- S4513** Palm push button Pneumatic, Stainless Steel for 31mm maximum thickness partition
- S4305** Panekta outlet Connector, finned pattern to convert horizontal outlet WCs to P trap
- S4300** Panekta outlet Connector, finned pattern to convert horizontal outlet WCs to S or turned P trap



Material

Vitreous China

Standards

Vitreous china to BS 3402. WC pan to BS EN 997 & BS EN 33

Weights

- S3047 16.281KG
- S4259 2.66KG
- S4059 1.15KG
- S9101 0.216KG

Special Notes

WC pan screwed to floor. Joint sealed with waterproof sealant (not supplied).

Colours

White (01)

Designer

Robin Levien, RDI

Frequently used applications

Education

Features

- Space Saving
- Water Saving

Accreditations

- WEPLS
- WTL