



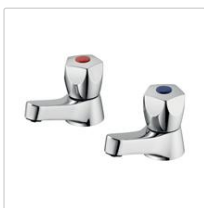
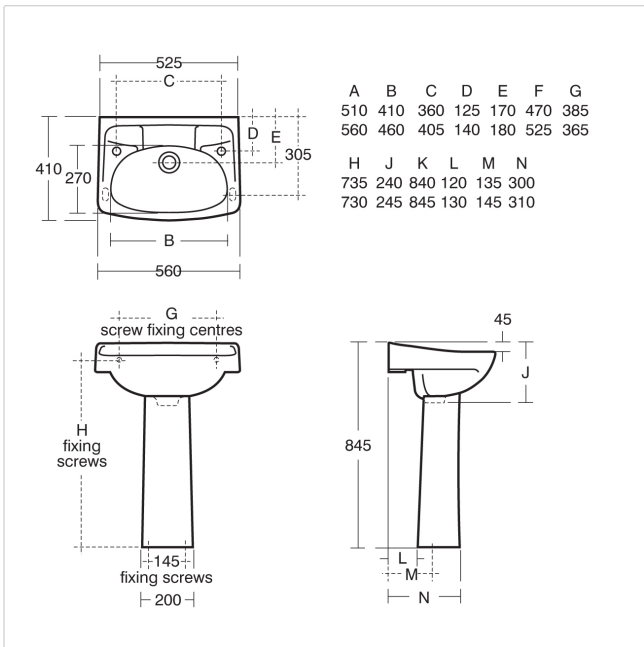
Sandringham Royalex Washbasin 56cm 2 Taphole

Illustrated

- S2170** Sandringham Royalex 56cm washbasin, 2 corner tapholes with overflow and chainstay hole
- S2955** Ova Pedestal
- B9865** Sandringham 21 Washbasin Pillar Taps
- S8800** Waste, 1 1/4in plastic waste with bead chain and plug, 80mm slotted tail, bolt stay
- S8910** Trap 1 1/4in plastic bottle, 75mm seal

Configuration options

- S9180** Leg centre support 60cm Stainless Steel with fixing plate.
- S9181** Leg centre support 90 cm Stainless Steel with fixing plate
- S9110** Hangers concealed, Steel
- S7155** Alterna 5412 1/2in pillar taps, supplied with hot and cold indices
- S7195** Nimbus 1/2in raised nose pillar taps
- S7185** Alterna Quadrant 1/2in quarter turn washbasin pillar taps with ceramic discs
- S7096** Sandringham washbasin pillar taps, lever
- S8735** Waste 1 1/4in brass anti theft waste with chain and captive plug, 80mm slotted tail, bolt stay
- A5900** TMV Thermostatic mixing valve 15mm
- S8900** Trap 1 1/4in metal bottle, 75mm seal, outlet screwed 1 1/4in BSP male with compression nut and ring
- S8920** Trap 1 1/4in plastic resealing bottle, 75mm seal
- S9140** Bracket concealed in Aluminium alloy, 19cm centres, for 56cm Royalex washbasins
- S9130** Sink screw to wall brackets in cast iron, 33cm overall with 30.5cm stud
- S9145** Bracket Aluminium alloy adjustable centre for washbasins with wall to centre Overflow waste outlet from 140 to 190mm
- S9115** Screw to wall towel rail brackets in cast iron with 30.5cm stud



Material

Vitreous China

Standards

Vitreous china to BS 3402 - Washbasin to BS 1188

Weights

S2170	14.06KG
S2955	10.18KG
B9865	0.972KG
S8800	0.08KG
S8910	0.2KG

Special Notes

Washbasin wall mounted using S9110 hangers and S9145 bracket (when appropriate) or full pedestal mounted using 2 screws through the back of the washbasin (not supplied). Note: A pop up waste cannot be fitted when using S9145 bracket.

Colours

White (01)

Frequently used applications

Education	Factory
General Healthcare	Hotels
Office	Public Building
Pubs and Clubs	Residential
Retail	Sports and Leisure

Armitage Shanks

Tel: 0870 122 8822
 Fax: 0870 122 8282
 Email: info@idealspec.co.uk
 Web: www.idealspec.co.uk

