

Technical Data Sheet

ROPER RHODES®

Henley Bath Filler - T263202

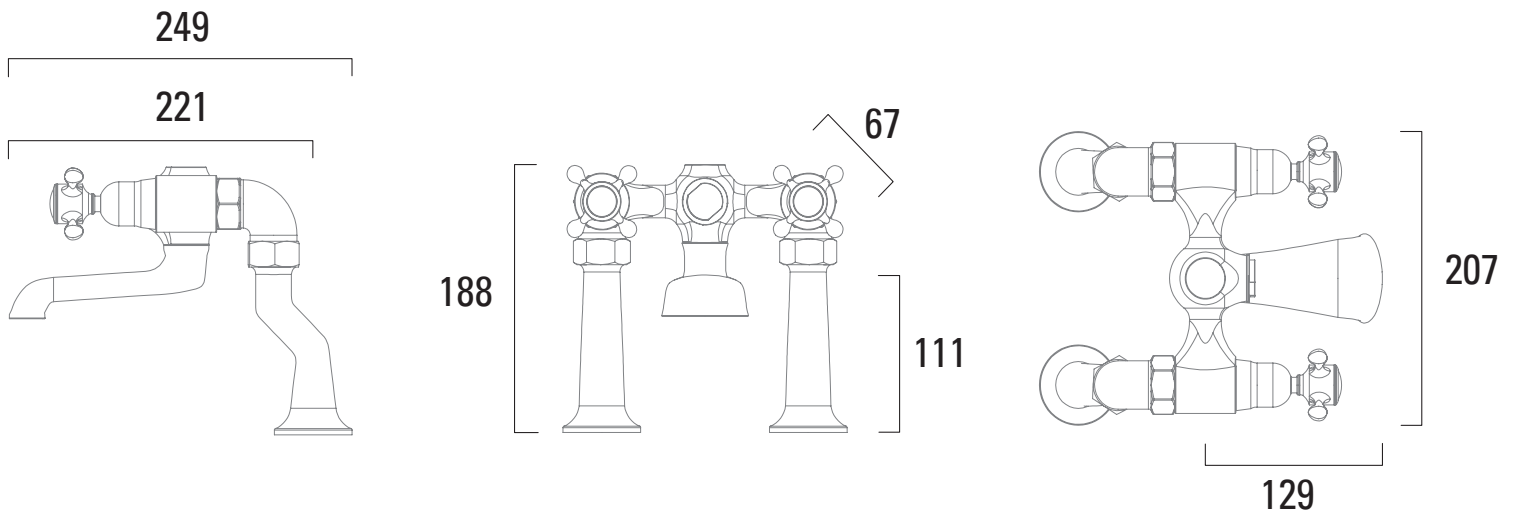
No.	Description	Code	Fixings Included
1	Henley Bath Filler	T263202	YES



Min Pressure:	0.3bar
0.2bar	8.7 litres / min
0.3bar	10.7 litres / min
0.4bar	12.3 litres / min
0.5bar	13.8 litres / min
1bar	15.6 litres / min

Dimensions - T263202

Diagrams not to scale. All dimensions in mm (tolerance of +/-5mm)



*Dimensions are subject to change, customers are advised to measure actual product before commencing installation.

FAQs

Does the tap come fitted with an aerator? Yes, the aerator comes pre-installed but can be replaced.

What size plumbing fittings are needed for the threaded legs? This product will work with standard 3/4" plumbing fittings.