

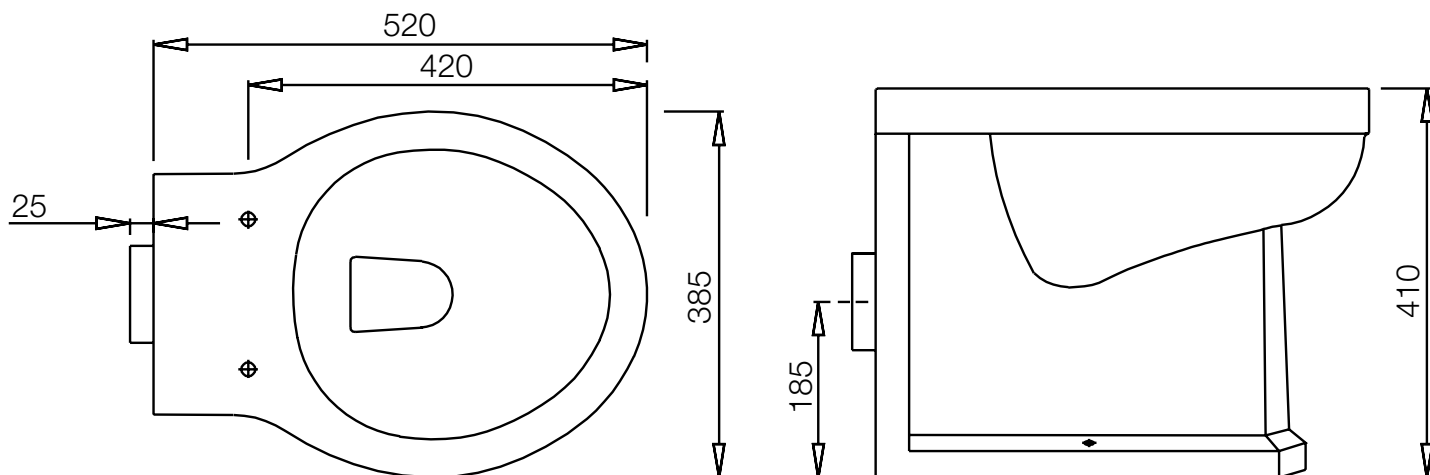
No.	Description	Code	Fixings Included
1	Harrow Back to Wall Pan	HBWPAN	Yes
2	Harrow Wooden Seat	HSCTSW	Yes



External Dimensions / Footprint	
Front to back footprint	455mm
Left to Right front footprint	215mm
Left to Right bowl	295mm
Front to back bowl	340mm
Distance from spigot to back of pan	30mm projection beyond pan
Height floor to waste centre	180mm
Waste diameter	100mm
Height of inlet centre to floor	340mm

Dimensions

Diagrams not to scale
All dimensions in mm
tolerance of +/- 5mm



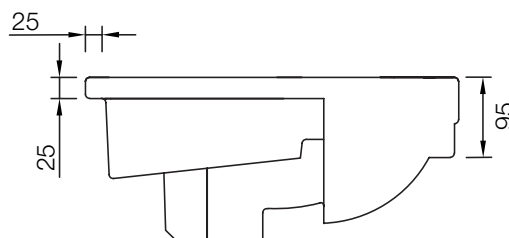
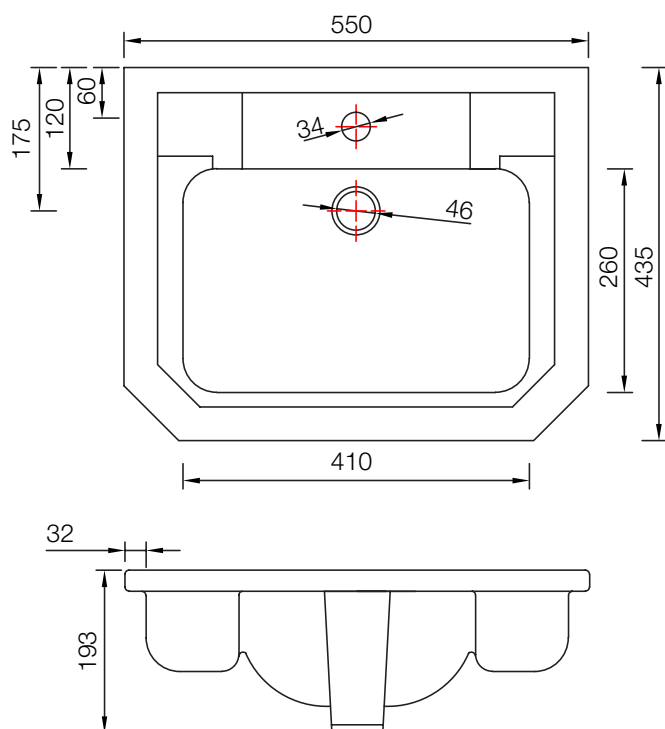
FAQ's

Can I use a wooden seat with this pan? **Yes, Greenwich seats are compatible with this pan.**
Can I use a plastic seat with this pan? **Minerva or Neutron seats are compatible with this pan.**

No.	Description	Product Code
1	Harrow Semi-Countertop Basin - One Tap Hole	H3SCBAS1



Dimensions



Diagrams not to scale
All dimensions in mm
tolerance of +/- 5mm

FAQ's

Is the basin glazed on the back side? **Yes, the basin is glazed.**

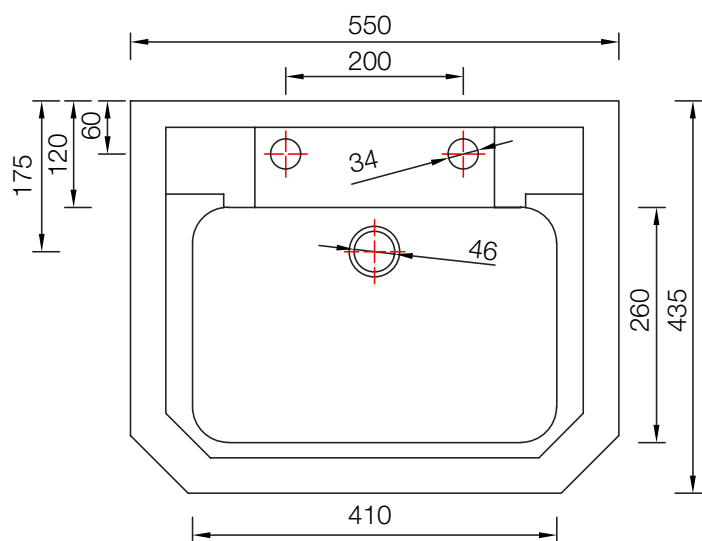
Internal depth	95mm
Internal Front to Back	255mm
Internal Left to Right	405mm
Tapledge	120mm
Taphole Centre to Waste Centre	115mm

Taphole/waste centre to furthest/closest side	277.5mm
Waste centre to back of basin	180mm
Rear lip height	25mm
Rear lip depth	25mm
Belly projection	165mm
Back of basin to belly	270mm

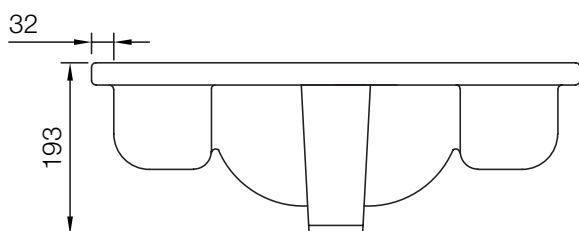
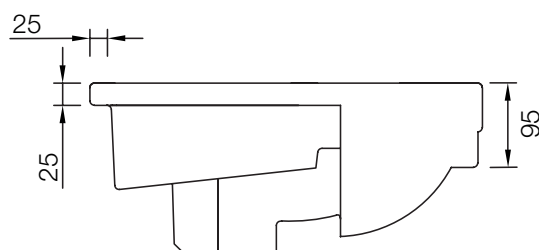
No.	Description	Code	Fixings Included	Gross Weight	Net Weight
1	Harrow Semi-Countertop Basin - Two Tap Holes	H3SCBAS2			



Dimensions



Diagrams not to scale
All dimensions in mm
tolerance of +/- 5mm



FAQ's

Is the basin glazed on the back side? **Yes, the basin is glazed.**