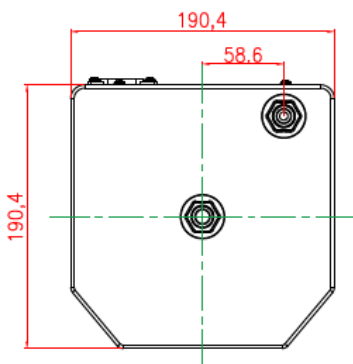
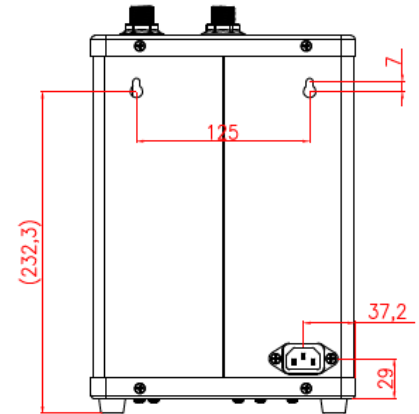
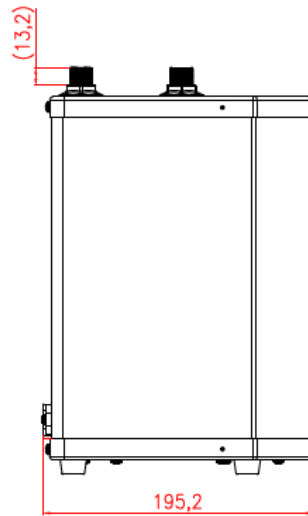
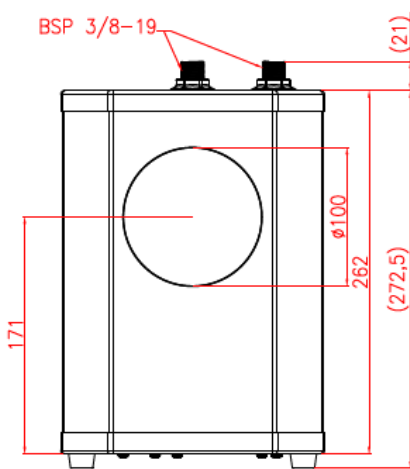






AMANZI TANK SPECIFICATION SHEET





### Electronic Control Display Panel

 ON/OFF to control the power, it will also control the display ON/OFF. Touch and hold for 3 seconds to switch power ON/OFF. Also use to confirm by touch for 1 sec a change in setting i.e. when used arrows to change temperature 98°C max. 97°C; 96°C; 95°C; 90°C; 85°C; 75°C—touching this button again for 1 sec will confirm the new setting for the tank temperature.

  Changes temperature up or down between the 7 temperature settings: 98°C max; 97°C; 96°C; 95°C; 90°C; 85°C; 75°C. using the arrows. To confirm the temperature and start the electronic instant hot water appliance press the ON/OFF button for “  ” 1 second and the electronic instant hot water appliance will start to heat up the water and an audible beep will be heard.

Flow capacity and pressure	
Measure:	Comments:
Boiler flow rate	1 bar = 1.2 L/Minute (+/-10% QA pass, 1.3 to 1.6 L/Minute) 2 bar = 1.78 L/Minute 3 bar = 2.22 L/Minute
Boiling tank capacity	2.4 Litres
Expansion bladder capacity	0.22 Litres
Maximum Draw off	1.4 Litres at (3 in 1 tap spout, 2 bar supply pressure) above 94°C
Water loss / wastage	Established as "almost no loss"
Electrical	
Measure:	Comments:
Supply voltage range	AC 220-240V (50Hz)
Power usage (element on) at 240V AC	1.5kW (rated) 1.522kW (maximum power usage when tested, element on, 237V/50Hz)
Standby (screen on) Power usage	1W (rated) 1.1-1.2W (as sample tested)
Standby (screen off) Power usage	0.1-0.2W (as sample tested)
Power usage (power on, no water usage – "keep warm")	0.025kW (depending on ambient temperature)
Power usage (to reheat after 1 litre dispensed)	1.5kW (based on single dispense only, not continuous use)
Supply lead	1.4M (cable), 3 pin UK plug (13A), IEC connector
Safety devices	<ul style="list-style-type: none"> <li>- vented (unpressurised) tank</li> <li>- minimum water level float switch to prevent dry heating</li> <li>- digital thermal monitoring and control</li> <li>- digital self-diagnostic control</li> <li>- one shot dry burn 120°C thermal fuse (non-resettable)</li> </ul>