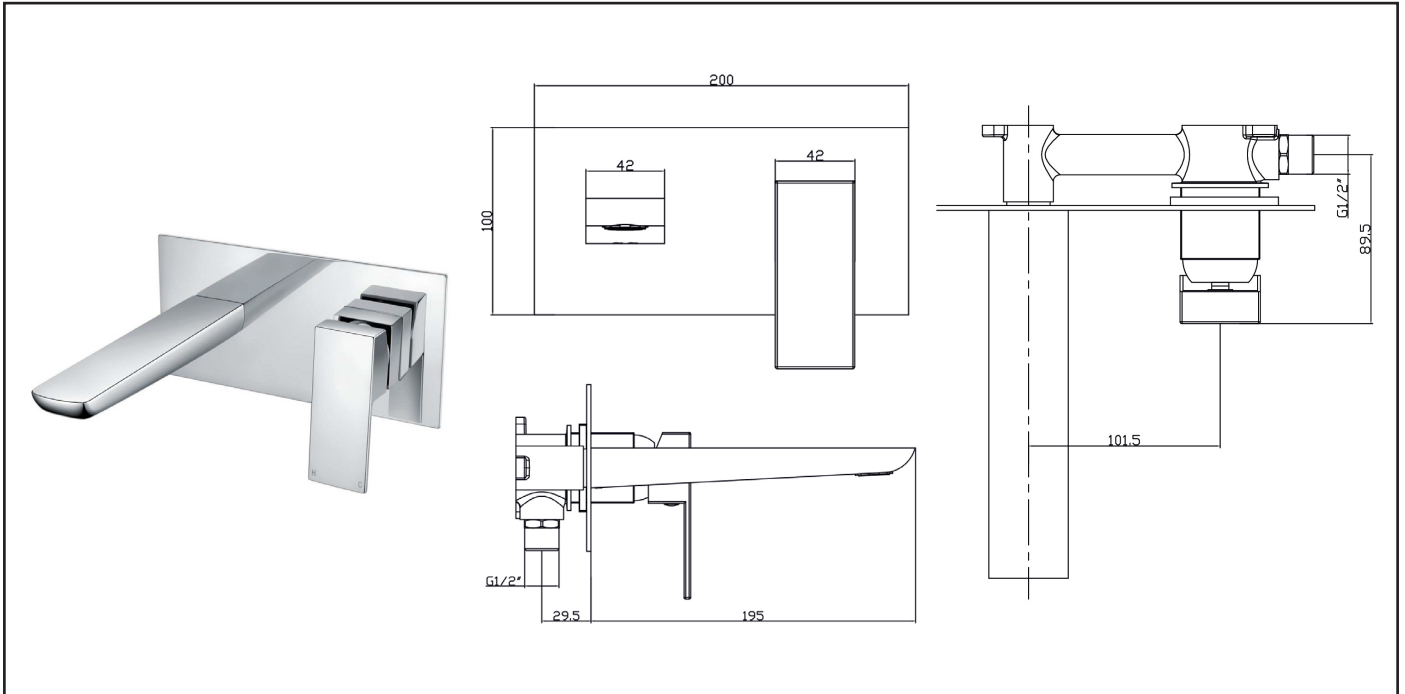


RAK-MOON

Basin Mixer | Wall-Mounted | No Waste

RAK
CERAMICS



Dimensions: 200W X 195D X 100H

Colour: Chrome (C)

Code: RAKMOO3007

Working Pressure: 0.1 - 6.0 Bar Pressure

Warranty: 15 Years

Weight: 2 Kg

Dimension: All Dimensions in mm tolerance $\pm 5\%$ for below 200mm and $\pm 3\%$ for above 200mm.

Note: Due to a continuing development programme to improve design and performance the manufacturer reserves all rights to vary specifications without prior information.

Please note all accessories are for photographic use only.