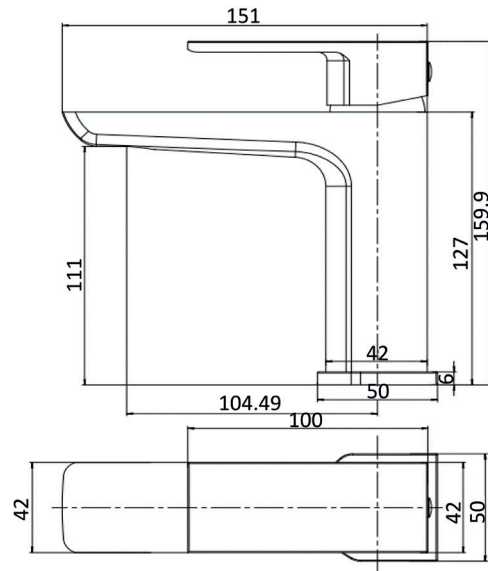


RAK-MOON TAPS

Basin Mixer | Standard | Inc Waste

RAK
CERAMICS



Dimensions: 50W X 151D X 159.9H

Colour: Chrome (C)

Code: RAKMOO3001

Working Pressure: 0.2 - 0.6 Bar Pressure

Warranty: 15 Years

Weight: 1.7 Kg

Dimension: All Dimensions in mm tolerance $\pm 5\%$ for below 200mm and $\pm 3\%$ for above 200mm.

Note: Due to a continuing development programme to improve design and performance the manufacturer reserves all rights to vary specifications without prior information.

Please note all accessories are for photographic use only.