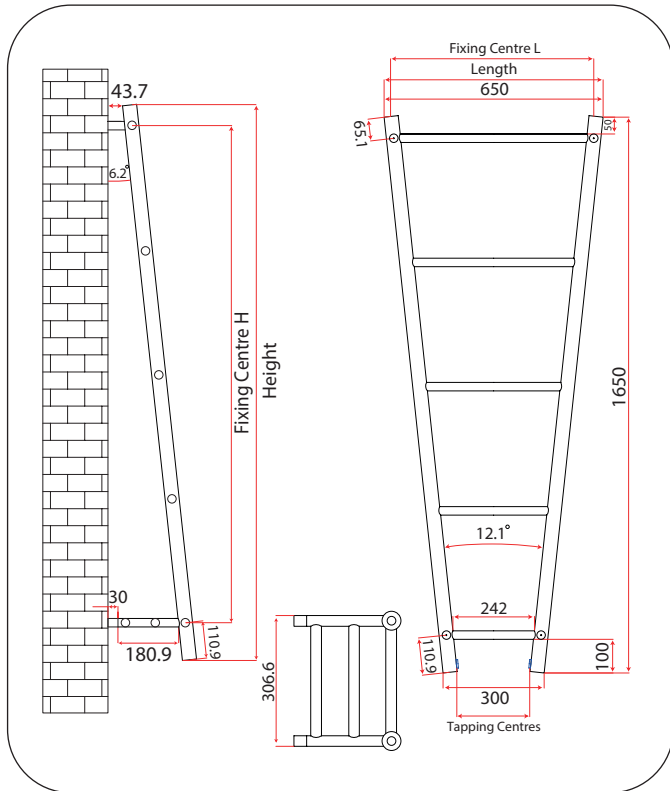


RADOX - Fyln



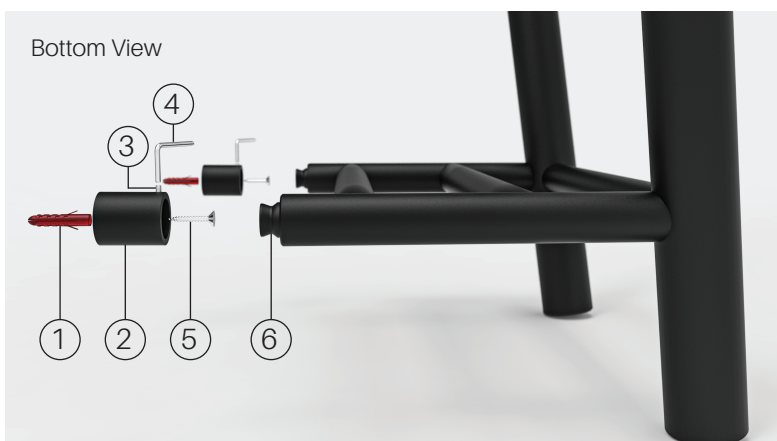
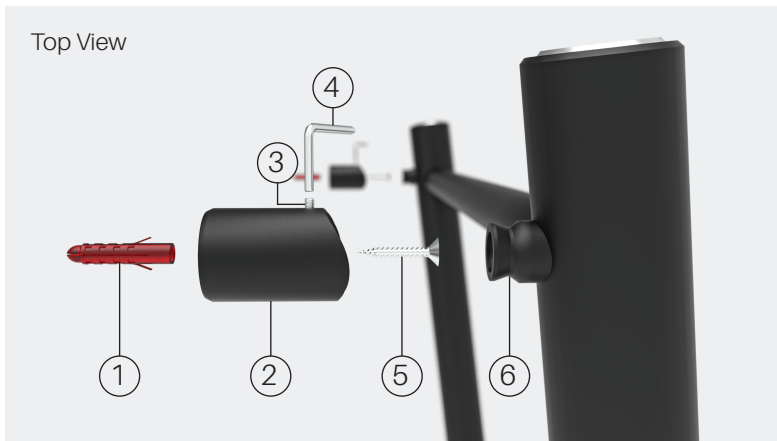
Please Note:

- Please allow minimum of 100mm for valves
- Summer Element use will affect pipe centres
- The flow and return can be reversed

- All the dimensions are shown in millimetres
- Tube dia **40mm x 30mm**
- Header tube dia **40mm x 30mm**
- Bracket length - 50mm
- ½ inch BSP bottom opposite end connections
- Test pressure: 10 Bar
- Max working temperature: 8 Bar
- Heat output - in accordance with EN 442

Flyn	Water Content (L)	Weight (KG)	Tapping Centres +/- 2mm	Fixing Centres (H) +/- 2mm	Fixing Centres (L) +/- 2mm (TOP)	Fixing Centres (L) +/- 2mm (Bottom)	Height (mm)	Length (mm)
RXFL-1650650	6	8	130	1475	597	284	1650	650

Installation:



Step 1: Select the desired mounting position, make sure the wall is adequate to take the fixing points of the rail i.e anchor points must be securely attached to a stud or masonry.

Step 2: Loosely screw the wall support (Part 2) into the wall using the wall screw (5) and washer. Use wall plug (1) if you are fixing into masonry. Do not tighten fully.

Step 3: Manoeuvre the rail back onto the bracket and tighten with the grub screw (3).

Cleaning:

- Do not use any abrasive or chemical cleaners to clean the radiators as this will cause damage to the surface finish. Please use warm water and a damp cloth.
- Do not clean when hot.

- 1) Wall Plug
- 2) Wall Support
- 3) Grub Screw
- 4) Allen Key (Not Supplied)
- 5) Wall Screw
- 6) Solid Fixing Lug