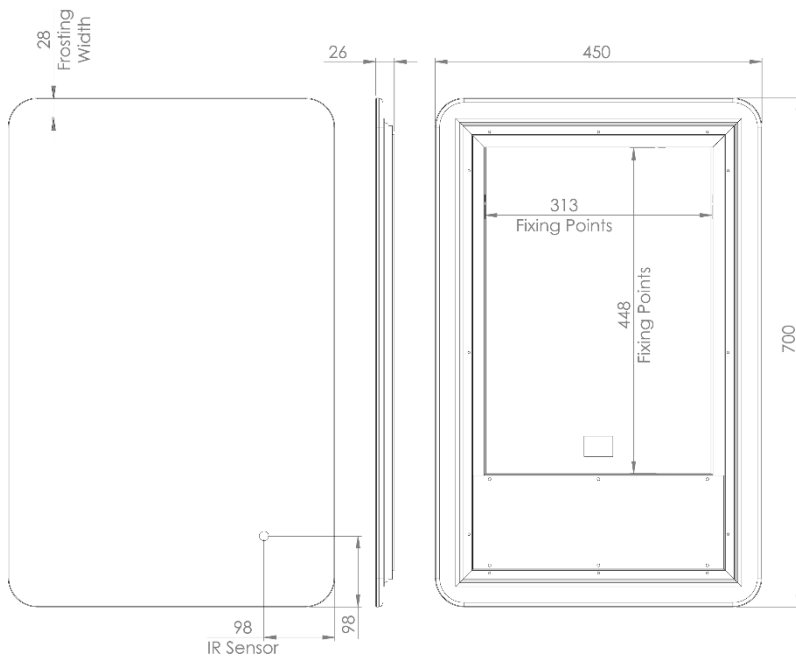


Technical Data Sheet

SYSTEM – SYS45AL, SYS70AL, SYS80AL, SYS90AL & SYS120AL

SYS45AL



Box Contents:

System Mirror | 2x Wall hanging brackets | 4x wall plugs | 4x screws | Instructions booklet

Materials

Frame Material: Extruded Aluminium
Glass: 5mm PVC Backed

*Dimensions are subject to change, customers are advised to measure actual product before commencing installation.

**Fixing point dimensions are for guidance only/the positions of wall fixing must be checked when product is received.

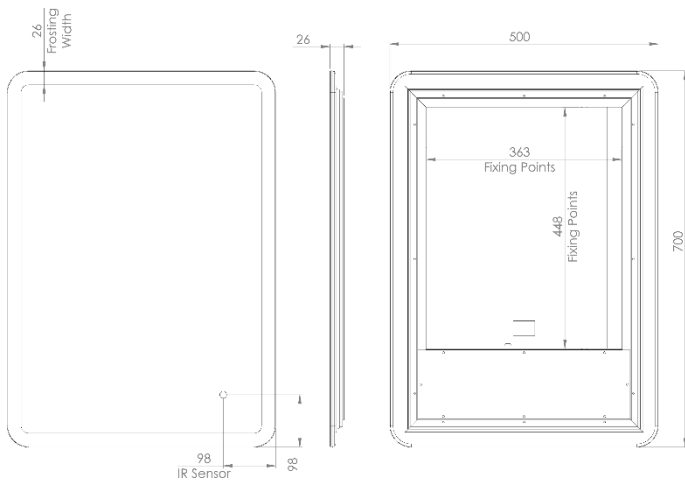
FAQ's:

	Units	SYS45AL	SYS70AL	SYS80AL	SYS90AL	SYS120AL
Can the mirror be hung landscape?	-	Yes	Yes	Yes	Yes	Yes
What is the thickness of the mirror glass?	mm	5				
Is the mirror IP44 rated?	-	Yes – Suitable for use in bathroom zone 2				
What size fuse should I use?	-	Seek the advice of an electrician				
What is the total power consumption?	W	47	55	61	62	82
Does the mirror have an energy rating?	-	Yes – It has an energy rating of: A				
What is the colour of the light and the Kelvin rating?	K	2700 - 6400				
What is the wattage of the lights?	W	21	20	26	27	30
Where is the IR sensor/rocker switch located?	-	Front bottom right	Front bottom right	Front bottom right	Front bottom right	Front bottom centre
Can the LED lighting be replaced?	-	No				
Can the IR sensor be replaced?	-	Yes				
What is the output of the demister pad?	W	26	35	35	35	52
What are the dimensions of the demister pad? (L x W)	mm	230 x 450	310 x 450	310 x 450	310 x 450	250 x 900
How do I turn on the demister pad?	-	The demister pad will turn on when the LEDs are turned on.				
Are illuminated mirrors supplied with mains cable?	-	All illuminated mirrors are supplied with a removeable 500mm mains cable. There is ample storage for excess cable in the back of the unit.				

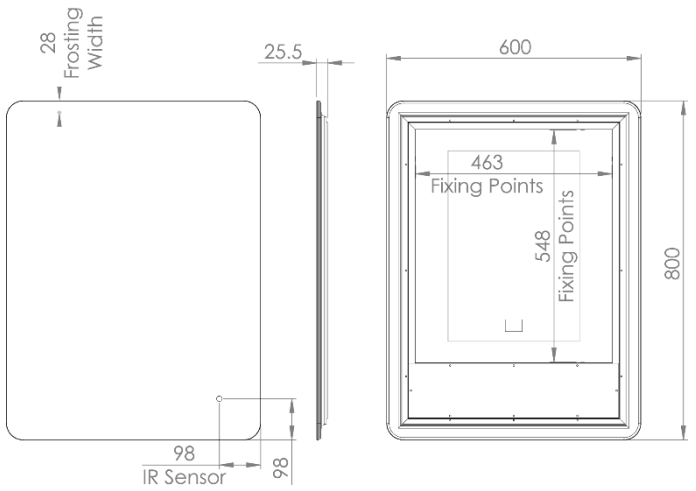
10 Year Guarantee

We have complete confidence in this Roper Rhodes bathroom Mirror and as such it is offered with a 10-year guarantee against defects in manufacture. The electronics are covered by our 2-year guarantee. In the unlikely event that this product should fail during the guarantee period we will either replace the faulty part or the complete unit as appropriate.

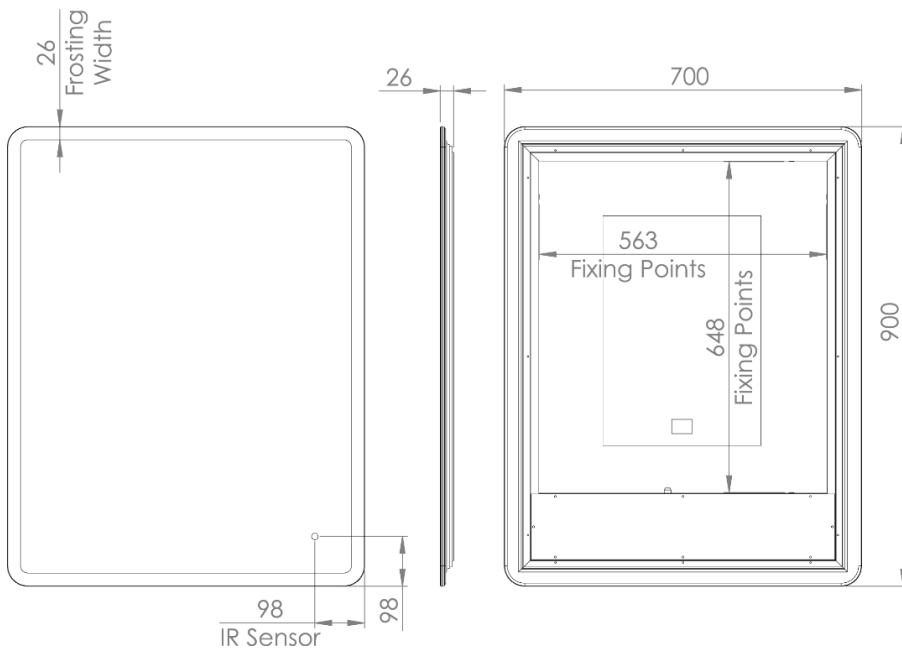
SYS70A



SYS80AL



SYS90AL



SYS120AL

