

QUADRANT TRAY PLINTH KIT INSTALLATION INSTRUCTIONS

Please read these instructions throughout before installing as incorrect fitting will invalidate the guarantee.
If you are unsure about these instructions please contact Kudos Shower Products 01 539 564040.

THESE INSTRUCTIONS ARE TO BE LEFT WITH THE CONSUMER

HEALTH & SAFETY WARNING

DUE TO THE WEIGHT & SIZE OF THE TRAY(S) A MINIMUM OF TWO PERSONS ARE REQUIRED TO MOVE AND INSTALL

Important

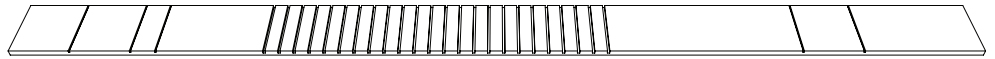
Check appearance of all product - any defects must be reported to your retailer before assembly/installation. Claims for imperfections will only be accepted prior to assembly/installation.

Any claims made under the terms of the Lifetime Guarantee must be reported to your retailer within 21 days of the fault occurring.

Quadrant Flexible Plinth Product Descriptions & Codes

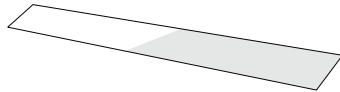
Product Code: 162136

Pre-machined cut flexible Plinth
Facia for Quadrant Trays



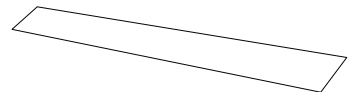
Product Code: 161491

Decorative Acrylic Facia Cover
1900mm High Gloss Finish



Product Code: 164758

Decorative Acrylic Facia Cover
1900mm Matt SR Finish



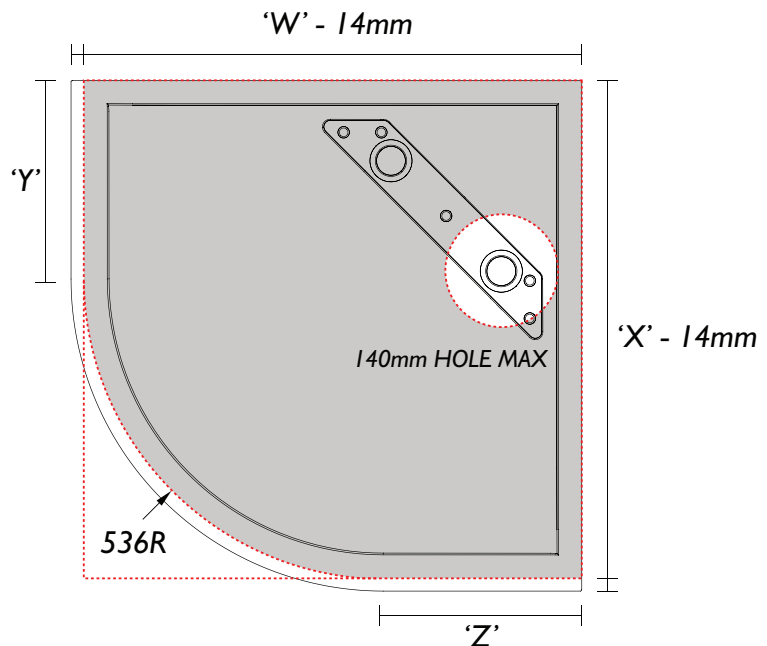
Quadrant Tray - Base Board

1. Cut out a Base Board (not supplied) with is a minimum of 18mm thick and needs to be a moisture resistant material.

Width value of 'W' - 14mm and depth value of 'X' - 14mm.

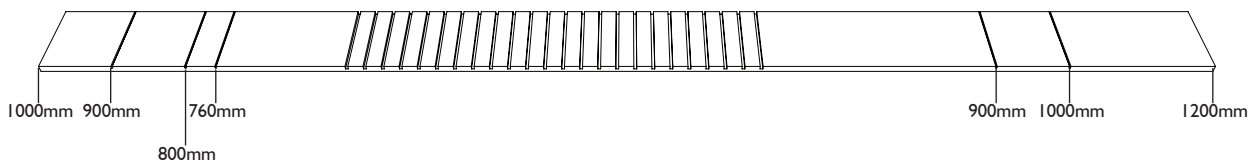
Add a radius of 536mm so that its concentric with the tray radius.
The radius needs to start from straight values 'Y' & 'Z' from the tray.

2. Cut a Hole (max 140mm) corresponding to the waste position on the tray. If fitting a connect2 tray cut only one hole to correspond to the waste hole to be used.



Cut Flexible Plinth Facia to suit Quadrant Size

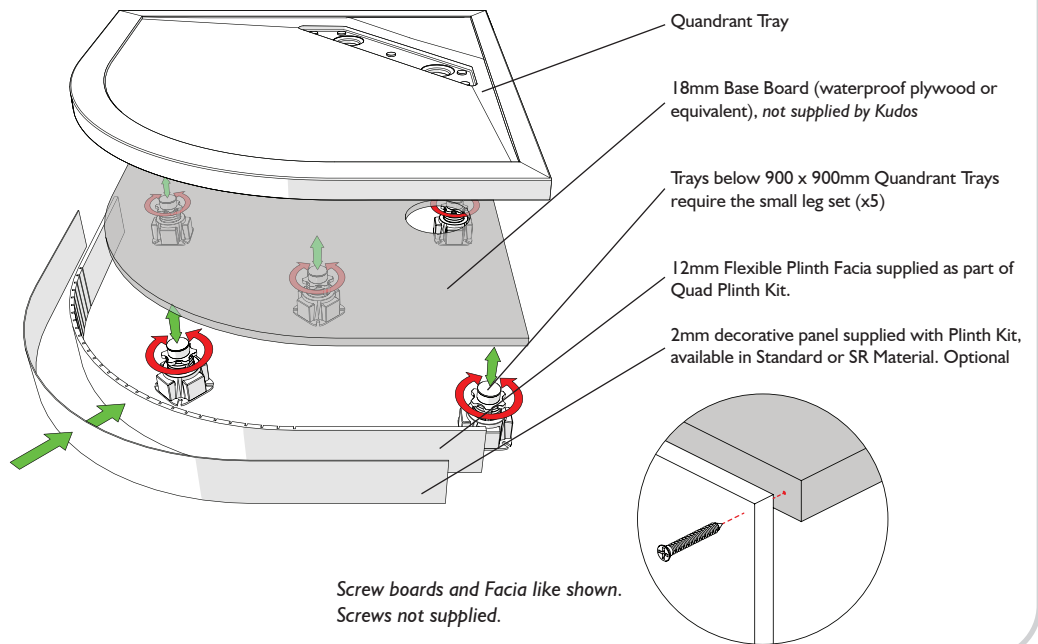
1. Acquire the Pre-machined cut flexible Plinth Facia for Quadrant Trays.
2. Cut to suit the Quadrant Tray size you have.



Quadrant Tray Plinth Installation

1. Install using the diagram provided.
2. Screw board and Facia together with screws spaced every 100mm. This is due to the Facia wanting to bow and distort more on the radius than the flat.
3. When fitting bed the tray with sand and cement using 10mm notch spreader. Make sure it's level.
4. We recommend using spray repositional adhesive, or double sided tape when adding the Decorative panels to the front/side boards.
5. Silicone around edges.
6. Leave for 24hrs.

Optionally, to keep the front / side boards in position you can add brackets or blocks on the inside, see back page.



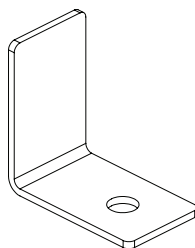
Optional Support Facia Installation

1a. Optionally, before fitting the facias you can add either L-shaped brackets or blocks so that the facia can't change position.

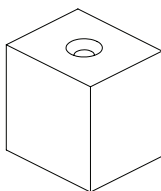
L-shaped Brackets and Blocks are NOT supplied by Kudos.

Use diagram as a guide for the blocks. Diagram relates to a 900 x 900 tray. May require more for the larger tray sizes.

1b. Next Page

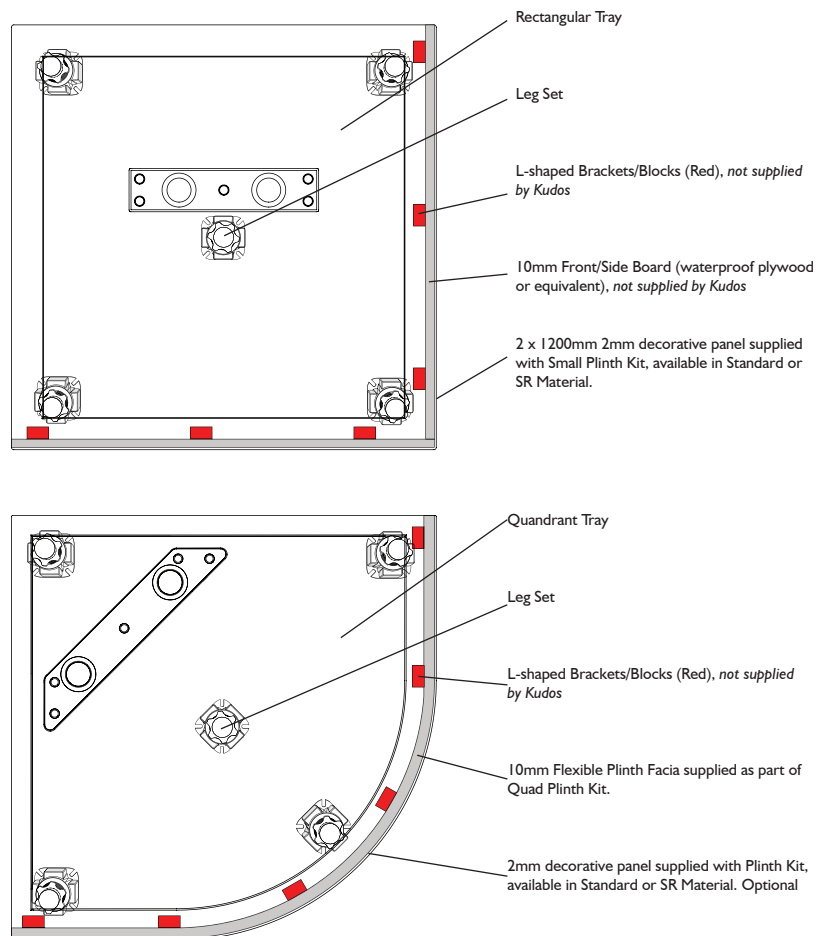


L-shaped Bracket



Block

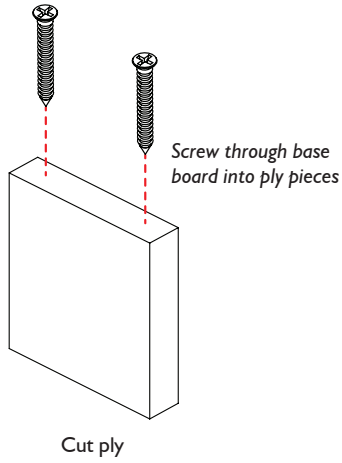
NOT SUPPLIED BY KUDOS



Optional Support Facia Installation

1 b. Optionally, if you have spare ply left over, this can easily be used so that the facia can't change position.

Use diagram as a guide for the adding ply. Diagram relates to a 900 x 900 tray. May require more for the larger tray sizes.



NOT SUPPLIED BY KUDOS

