

PRODUCT DATA SHEET



PRODUCT CODE

PROMOD1701TRIMV

RANGE

MODULE

DESCRIPTION

Module 2 Control Trimset Stainless Steel Effect With Handshower

COLOUR Stainless Steel Effect

MATERIAL Brass

FINISH PVD

INSTALLATION TYPE Wall Mounted

WEIGHT 1.9kg

STANDARDS EN 1111:2008

WARRANTY 15 Years

MIN. PRESSURE 1 Bar

MAX. PRESSURE 5 Bar

MOD1701R - 2 OUTLET

PRESSURE (BAR)	FLOWRATE			
	EXIT 1	EXIT 2 HAND SHOWER	EXIT 1+2	
MID	0.5	9.2	4.2	9.3
	1	13	6	13.4
	2	18.7	8.5	19
HIGH	3	23	10.7	23.5
	4	26.5	12.3	27
	5	29.5	13.8	30.3

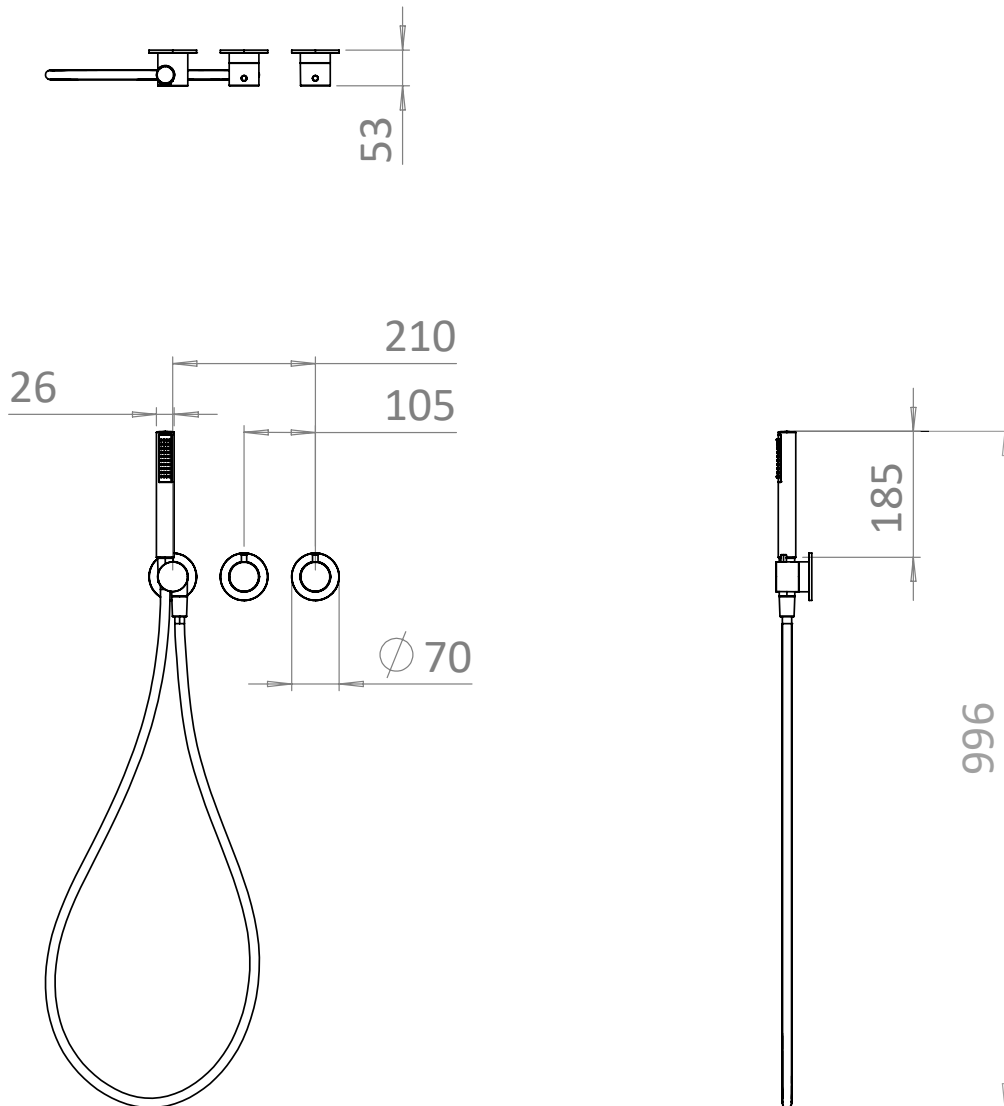
MOD3701R - 3 OUTLET

PRESSURE (BAR)	FLOWRATE			
	EXIT 1	EXIT 2 HAND SHOWER	EXIT 3	
MID	0.5	10	4.1	9.7
	1	13.7	6	13.4
	2	19.5	8.5	19
HIGH	3	23.8	10.6	23.3
	4	27.5	12.3	26.8
	5	30.5	13.8	29.8

TECHNICAL DIMENSIONS

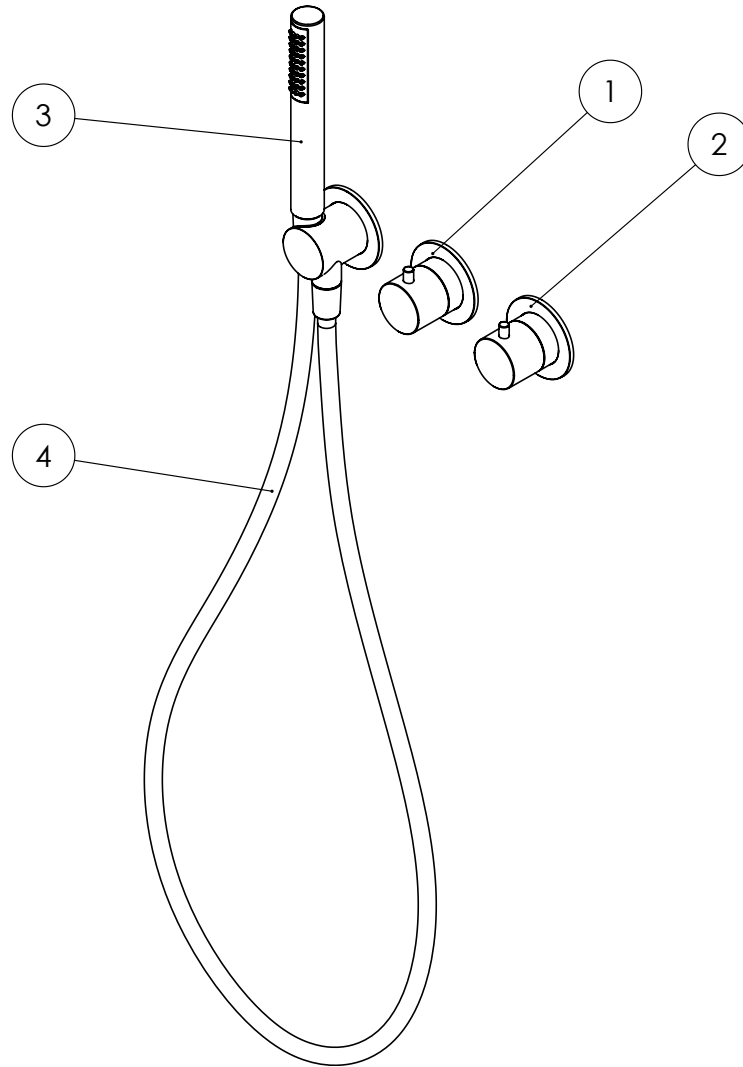
Dimensions in mm unless otherwise specified.

Tolerances (per material type) apply.



V10622

SPARES DIAGRAM



NUMBER	PART CODE	DESCRIPTION
1	E005058.275HESC	Mod Handle, Collar and Plate for Diverter Stainless Steel Effect
2	E005056.275HESC	Mod Handle, Collar and Plate for Thermostat Stainless Steel Effect
3	E082019.27700SC	Module Bath Spout Stainless Steel Effect
4	C084021.00010SA	Module Shower Hose Stainless Steel Effect

Only the parts labelled are available as spares.

V10622