

# PRODUCT DATA SHEET



**PRODUCT CODE**  
PROMOD1601TRIMC

**RANGE**  
MODULE

**DESCRIPTION**  
Module 2 Control Trimset Chrome With Bath Spout

COLOUR Chrome

MATERIAL Brass

FINISH Electroplating

INSTALLATION TYPE Wall Mounted

WEIGHT 1.55kg

WARRANTY 15 Years

MIN. PRESSURE 1 Bar

MAX. PRESSURE 5 Bar

## MOD1701R - 2 OUTLET

PRESSURE (BAR)	FLOWRATE		
	EXIT 1	EXIT 2 BATH SPOUT	EXIT 1+2
MID	0.5	9.2	10
	1	13	14.1
	2	18.7	20
HIGH	3	23	24.6
	4	26.5	28.6
	5	29.5	32

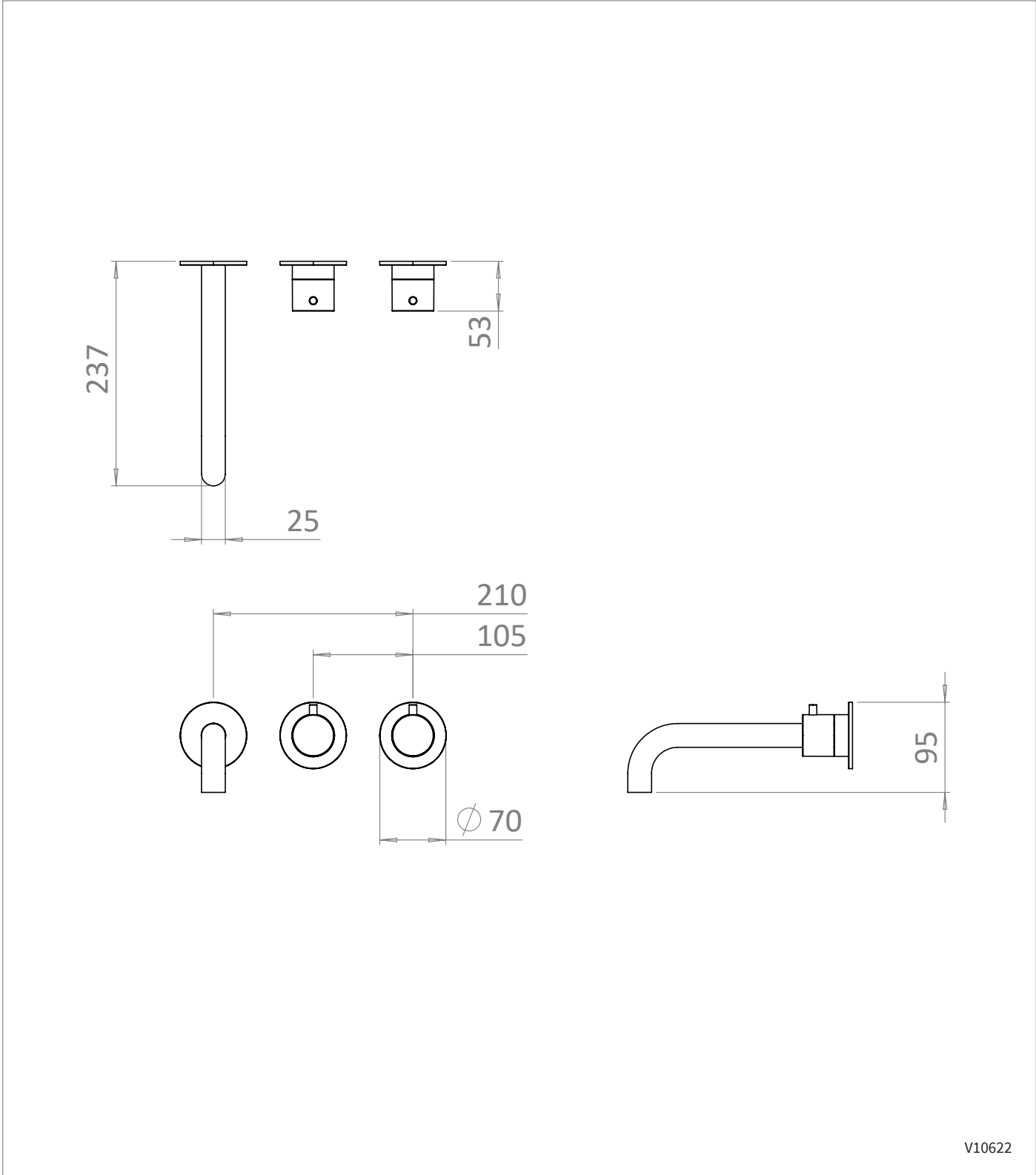
## MOD3701R - 3 OUTLET

PRESSURE (BAR)	FLOWRATE		
	EXIT 1	EXIT 2 BATH SPOUT	EXIT 3
MID	0.5	10	9.7
	1	13.7	13.4
	2	19.5	19
HIGH	3	23.8	23.3
	4	27.5	26.8
	5	30.5	29.8

### TECHNICAL DIMENSIONS

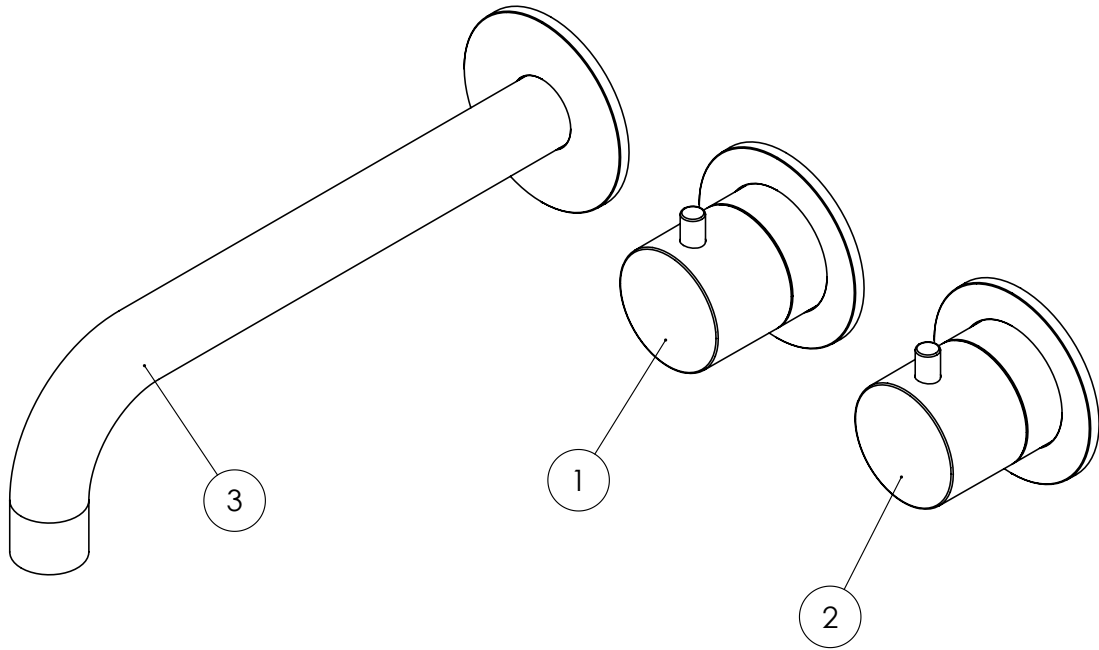
Dimensions in mm unless otherwise specified.

Tolerances (per material type) apply.



V10622

**SPARES DIAGRAM**



NUMBER	PART CODE	DESCRIPTION
1	E005058.021HESC	Mod Handle, Collar and Plate for Diverter Chrome
2	E005056.021HESC	Mod Handle, Collar and Plate for Thermostat Chrome
3	E098007.021HESC	Module Bath Spout Chrome

Only the parts labelled are available as spares.

V10622