

PRODUCT DATA SHEET



PRODUCT CODE

PRO330WM

RANGE

MPRO

DESCRIPTION

Bath 3H Filler Wall Mounted
Matt Black

MIN. PRESSURE 1 Bar

MAX. PRESSURE 5 Bar

PRESSURE (BAR) FLOWRATE

LOW 0.2 0.0

MID 0.5 0.0

1 32

2 47

HIGH 4 66

5 75

COLOUR Matt Black

MATERIAL Brass

FINISH APPLICATION Immersion Plating

INSTALLATION TYPE Wall-Mounted

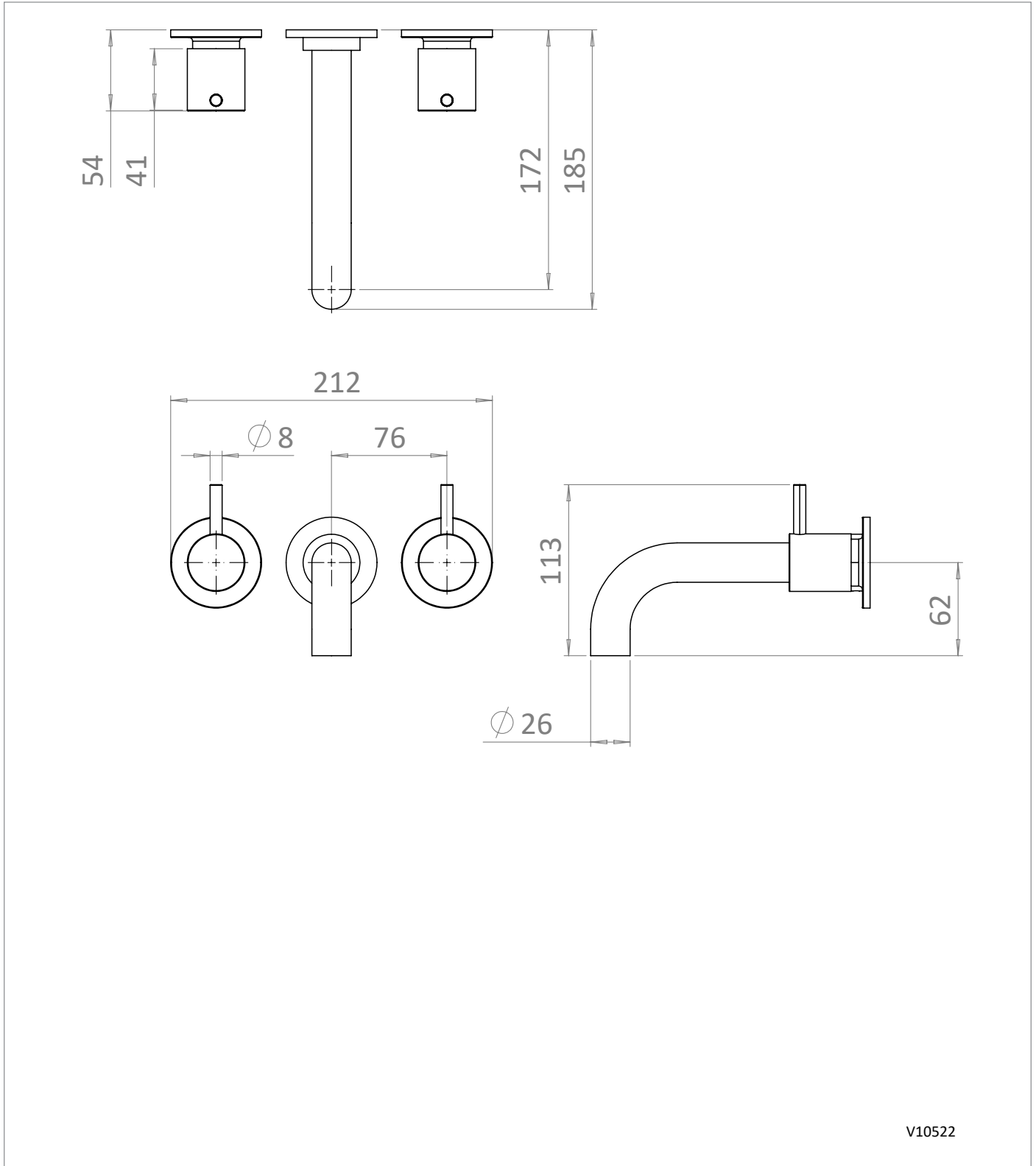
APPROVALS KIWA - 2001772

WARRANTY 15 Years

TECHNICAL DIMENSIONS

Dimensions in mm unless otherwise specified.

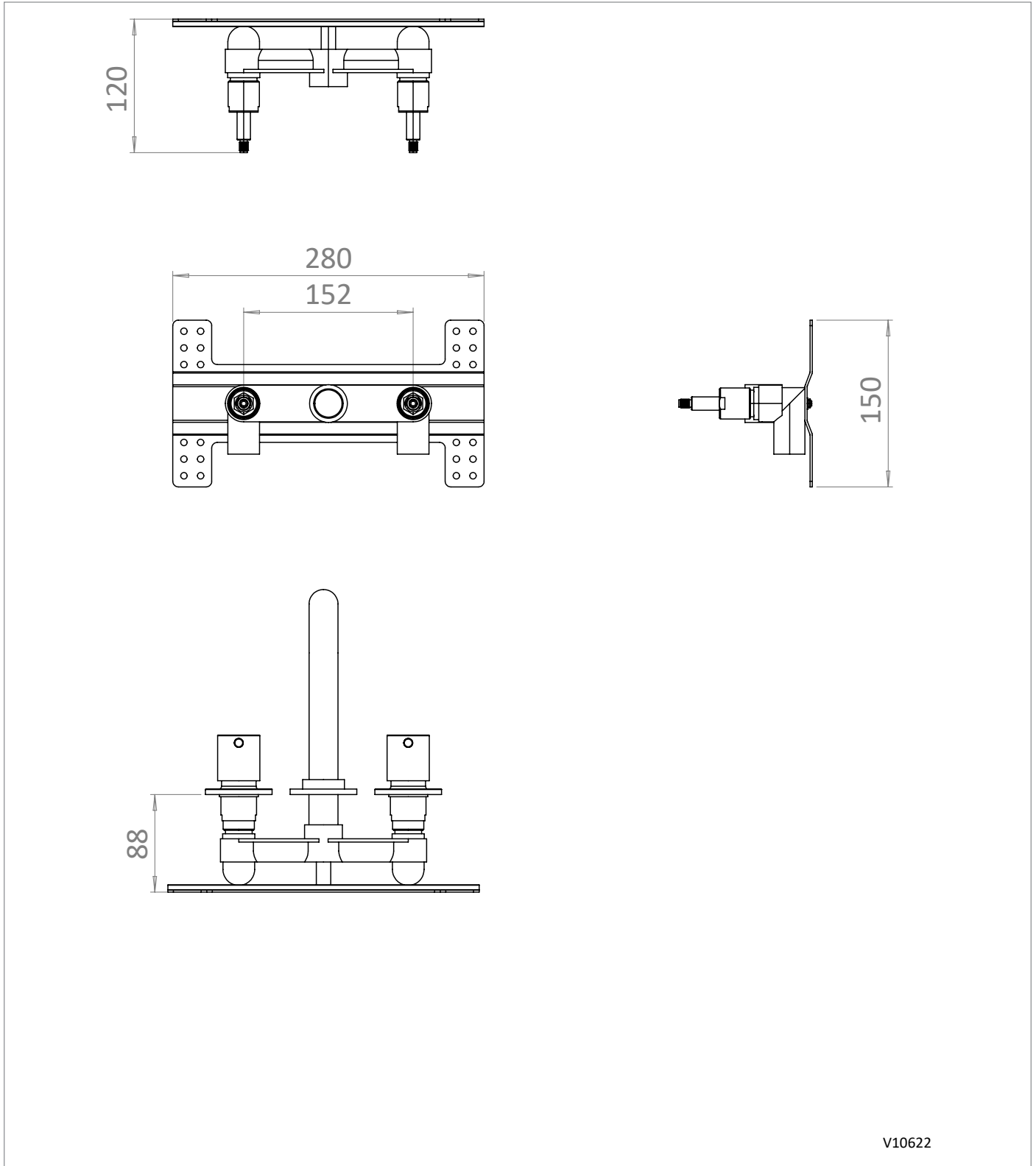
Tolerances (per material type) apply.



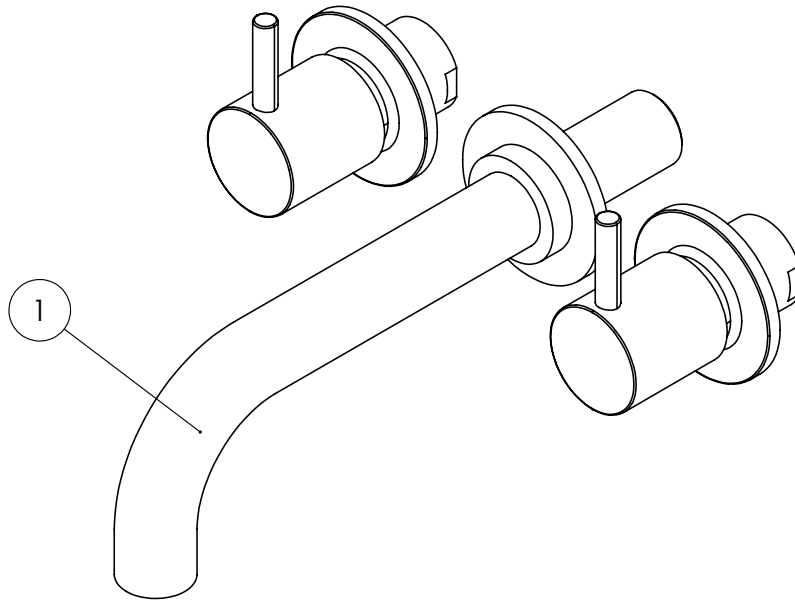
TECHNICAL DIMENSIONS

Dimensions in mm unless otherwise specified.

Tolerances (per material type) apply.



SPARES DIAGRAM



NUMBER	PART CODE	DESCRIPTION
1	PRO330SPOUTC	MPRO Bath Filler Spout - Chrome
	PRO330SPOUTF	MPRO Bath Filler Spout - Brushed Brass
	PRO330SPOUTM	MPRO Bath Filler Spout - Matt Black
	PRO330SPOUTV	MPRO Bath Filler Spout - Stainless Steel
	CGPRO130C	Cold Cartridge
	CGPRO130H	Hot Cartridge

Only the parts labelled are available as spares.

V10522