

# 青岛兴邦电子电器有限公司

## 说明书

|      |            |             |    |
|------|------------|-------------|----|
| 客户名称 | 英国 PRIMA   | 设计          | 于丽 |
| 产品型号 | DF90E      | 会签<br>型号经理  |    |
| 业务经理 | 薛孝田        | 会签<br>电气工程师 |    |
| 设计时间 | 2017.05.31 | 审核          |    |
| 版次   | 01         | 批准          |    |

### 印刷说明:

- 1.此印刷品专用号 **Cod:0103084742**
- 2.此印刷品自下发之日起开始实施。
- 3.此印刷品最终成品大小为**A4**纸一半大小。
- 4.此印刷品黑白印刷。
- 5.此印刷品要求字迹清晰、不能有漏印、错印、模糊现象。

- 工业设计工程师负责根据客户要求对版面进行设计修改;
- 型号经理负责会签确定机器尺寸/外观型号/具体参数等;
- 电气工程师负责会签确定电压/功率/接线图/认证标志等;
- 销售经理负责审核确定客户对文件是否确认;
- 技术部长负责批准确定文件是否下发;

(注:此页为非印刷页,仅为了说明)



**PRDE0004**

**Manual for Installation, Use and Maintenance  
Downdraft Cooker Hood**

## Important

The manufacturer cannot be held responsible for injuries or losses caused by incorrect use or installation of this product. Please note that the manufacturer reserves the right to invalidate the guarantee supplied with this product following incorrect installation or misuse of the appliance or use in a commercial environment.

This appliance is not designed to be used by people (including children) with reduced physical, sensorial or mental capacity, or who lack experience or knowledge about it, unless they have had supervision or instructions on how to use the appliance by someone who is responsible for their safety.

Under no circumstances should any external covers be removed for servicing or maintenance, except by suitably qualified personnel.

### Appliance information:

Please enter the details on the appliance rating plate below for reference, to assist Customer Care in the event of a fault with your appliance and to register your appliance for guarantee purposes.

Appliance Model

Serial Number

### CE Declarations of Conformity:

This appliance has been manufactured to the strictest standards and complies with all applicable legislation, including Gas safety, Electrical safety (LVD) and Electromagnetic interference compatibility.

### IMPORTANT INFORMATION FOR THE CORRECT DISPOSAL OF THE PRODUCT, IN ACCORDANCE WITH EC DIRECTIVE 2002/96/EC.

At the end of its working life, the product must be taken to a special local authority waste collection centre or to a dealer providing appliance recycling services. Disposing of a household appliance separately avoids possible negative consequences for the environment and health. It also enables the constituent materials to be recovered, saving both energy and resources.

As a reminder of the need to dispose of household appliances separately, the product is marked with a crossed-out wheeled dustbin.

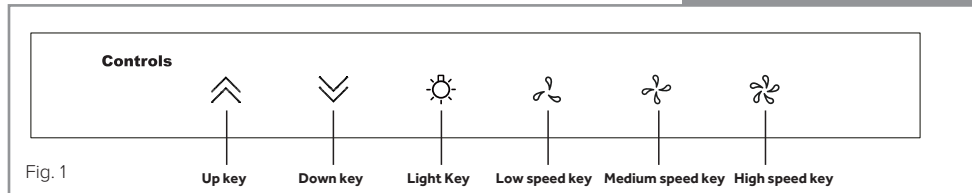
### Please note:

- Under no circumstances should the extractor be connected to any gas ventilation system, flue system or hot air ducting system.
- Do not vent the extractor into an attic or loft space.
- Only house the extractor in rooms with adequate ventilation. Remember that the extractor is powerful and whatever air is extracted needs to be replaced.
- Do not tile the extractor in. It should be removable for service or maintenance.
  
- You must be able to isolate the extractor from the mains electrical supply after installation.
- Steam cleaners must not be used when cleaning this appliance.
- The performance of your extractor will vary depending on a number of factors. These include: type of extraction, length of ducting, room volume, ventilation available and cleanliness of the filters.

## Using your Extractor

For best performance, you should switch on the extractor 15 minutes before starting for approximately 15 minutes after the end of cooking.

### Control Panel



- **Up key:** Press for 2 seconds, the section of the extractor rises. When moving, touch the key, it will stop. Press again 2 seconds, the section continues to rise. If you press the Down key for 2 seconds, the section will drop down. When the section rises halfway, the fan will start working at low speed.
- **Down key:** Press for 2 seconds, the section drops down. When moving, touch key and it will stop, Press again 2 seconds, it will continue to drop down to the bottom. Press the Up key again to make the section rise. When the section drops down halfway, the fan will stop.
- **Light key:** Touch the key to switch on/off the lights. When the section drops down halfway, the light will turn off.
- **High speed key:** Touch the key for high speed; touch again to switch off the fan, if you press the medium speed key or low speed key, the fan speed will change.
- **Medium speed key:** Touch the key for medium speed; touch again to switch off the fan. If you touch the high speed key or low speed key, the fan speed will change.
- **Low speed key:** Touch the key for low speed; touch again to switch off the fan. If you touch the high speed key or middle speed key, the fan speed will change.
- **Timer:** Press any speed button for 3 seconds when the appliance is working and the key will flash. It will show timer mode for 15 minutes and will stop working after 15 minutes.

## Mains Electricity Connection

THIS APPLIANCE MUST BE CONNECTED TO THE MAINS SUPPLY BY A COMPETENT PERSON, USING FIXED WIRING VIA A DOUBLE POLE SWITCHED FUSE SPUR OUTLET AND PROTECTED BY A 3A FUSE.

**Warning! This appliance must be earthed.**

We recommend that the appliance is connected by a qualified electrician, who is a member of the N.I.C.E.I.C. and who will comply with the I.E.T. and local regulations.

The wires in the mains lead of this appliance are coloured in accordance with the following code:

**Green & Yellow = Earth, Blue = Neutral, Brown = Live.**

As the colours of the wires in the mains lead for the appliance may not correspond with the coloured markings identifying the terminals connecting to the fuse spur, proceed as follows:

- The wire which is coloured green and yellow must be connected to the terminal marked E (Earth) or coloured green.
- The wire which is coloured blue must be connected to the terminal marked N (Neutral) or coloured black.
- The wire which is coloured brown must be connected to the terminal marked L (Live) or coloured red.

### **Note: Use a 3A Fuse**

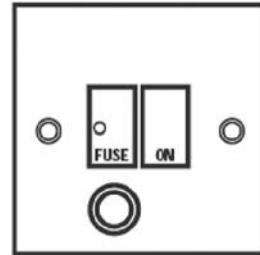
Assembly and electrical connection should be carried out by specialised personnel.

When installing this product we recommend you seek the help of another individual.

Do not mount the isolation switch behind the chimney section. It is a requirement that you must be able to isolate the extractor from the mains electrical supply after installation.

This appliance is intended to be connected to the mains electrical supply by means of an isolation switch and fused spur and is intended to be protected by a 3A fuse. The use of a 13A fuse can cause damage to the internal wiring in the event of a fault, and may also invalidate the warranty.

DOUBLE POLE SWITCHED  
FUSE SPUR OUTLET



USE A 3 AMP FUSE

## Electrical Information

Mains electrical voltage: 230 – 240Vac, 50Hz

### Total rated power consumption:

164W

## Troubleshooting

### If your extractor is not working:

1. Check that the mains supply has not been switched off.
2. Check that the fuse in the spur has not blown.

## GUARANTEE

Your new product is guaranteed against defects in materials and/or workmanship. Any parts found to be defective will be repaired or replaced at our discretion. All repairs must be carried out by an authorised Repair Agent. Your extractor comes with a 5 years Parts 2 years Labour Guarantee if registered within 30 days of purchase.

### THIS GUARANTEE IS VALID PROVIDING THAT :

- The appliance has been installed by a suitably qualified person
- Installation has been carried out in accordance with instructions and current legislation
- Proof of purchase can be produced
- The appliance has been used for domestic purposes only
- The appliance has not been tampered with or repair attempted or modified by any unauthorised person

### THIS GUARANTEE DOES NOT COVER :

- Damage by misuse, neglect or transit
- Use of parts that have not been recommended
- Routine maintenance, general wear & tear and installation faults
- Rubber seals, removable glass and/or plastic parts, fuses or light bulbs which all need replacing periodically
- Second-hand or reconditioned appliances
- Appliances used for commercial or professional purposes

**This guarantee does not in any way affect your statutory legal rights.**

## INSTALLATION

Extractor Dimensions.

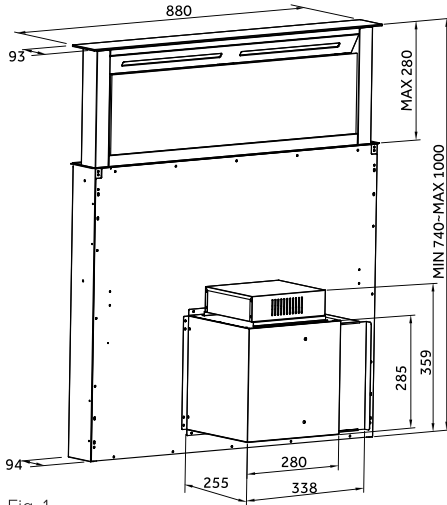


Fig. 1

Cut Out Dimensions.

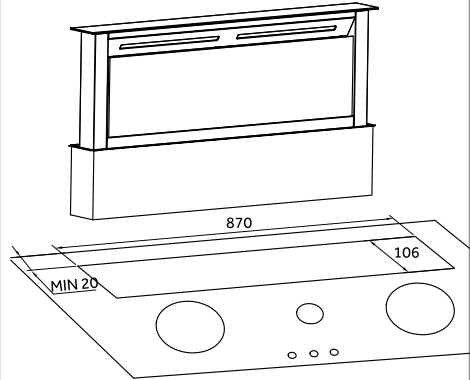


Fig. 2

Installation tool and parts.

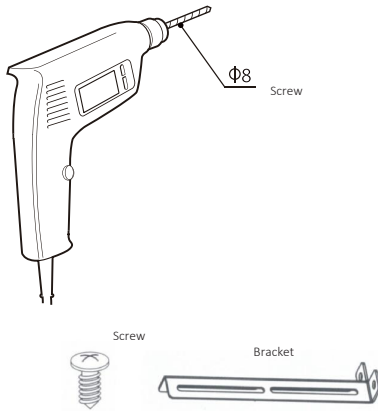


Fig. 3

Insert extractor into cavity.

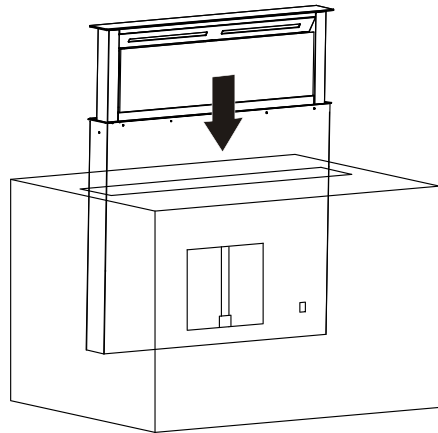


Fig. 4

Install in place, then use s14x10 screws to fix bracket to the extractor.

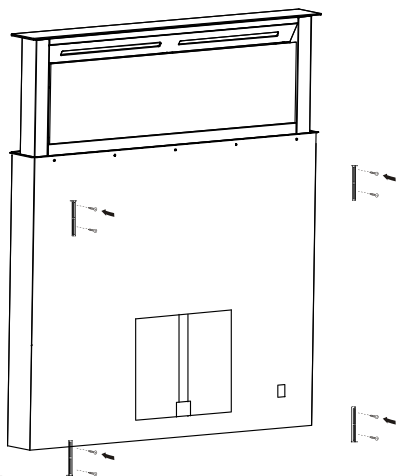


Fig. 5

Use St4X10 screws to attach bracket to cavity interior.

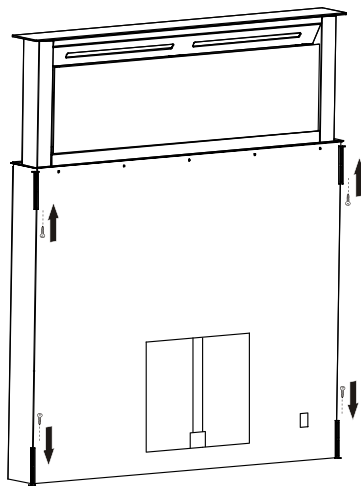


Fig. 6

Use ST4x10 screw fix motor on the extractor.

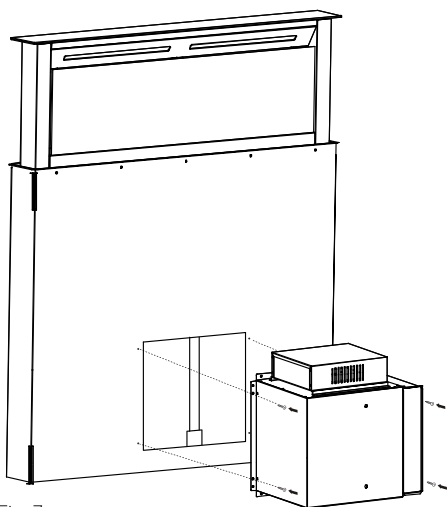


Fig. 7

Install power cable as shown below.

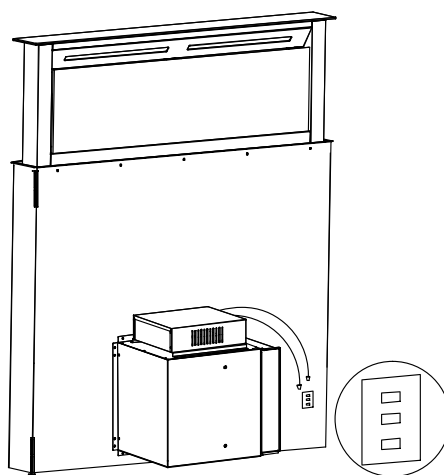


Fig. 8





## Installation Instructions

### BEFORE YOU BEGIN

Read these instructions completely and carefully.

### CAUTION:

**Due to the weight and size of this cooker hood and to reduce the risk of personal injury or damage to the product, TWO PEOPLE ARE REQUIRED FOR PROPER INSTALLATION.**

Note to Installer: Please leave these instructions with the customer.

Note to Customer: Keep these instructions in a safe place for future reference.

Installation of this appliance requires basic mechanical and electrical skills and should preferably be undertaken by a professional electrician.

Proper installation is the responsibility of the installer.

### WARNING:

To reduce the risk of the fire or electrical shock, do not use this cooker hood with any external speed control device. Any such alteration from original factory wiring could result in damage to the unit and/or create an electrical safety hazard and will invalidate the warranty.


## Installation Guide

Refer to Figure Fig.1 open mounting holes on the cooker:

If you want to install the hood decorative panels flush with the worktop, see (Fig.2) diagram to open and align the mounting holes.

When mounting the hood into the cooker openings, handle with care to avoid damage to decorative parts. See (Fig.4).

The hood decoration panel and cooker should be flush with the mounting foot fixed, If the cooker is tiled, the top two mounting feet cannot be installed correctly. See (Fig.5, Fig.6)



## Replacement of Charcoal Filter

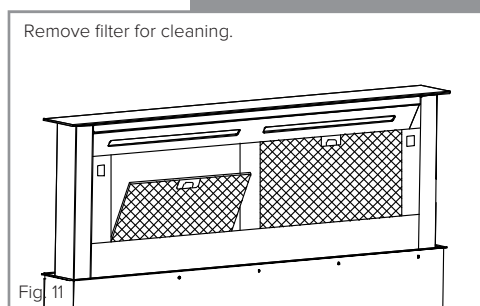
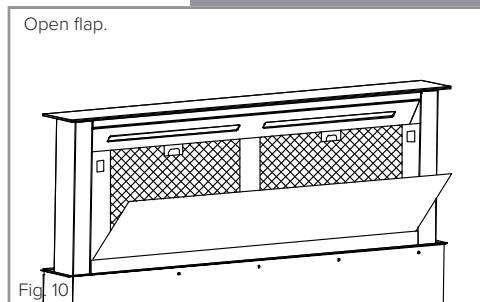
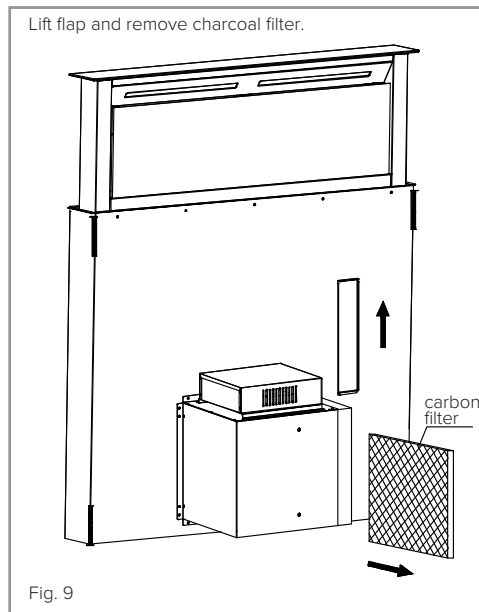
Remove the fixed plate for the charcoal filter, then you can install the filter. See (Fig.9) The activated charcoal filter provides air purification. After every 4 months, it is advisable to replace this filter. Cleaning or replacement of the activated charcoal filter, depending on the frequency of use, is strongly recommended.

## Cleaning Grease Filter

1. Pull the glass gently, release the lock and the glass will rise up.
2. Press and hold the filter handle and pull it forward, remove filter from the filter holes, then remove the filter.

The installation process can be reversed to reinsert the filter. (Fig.10/11).

3. To prevent fire, it is recommended that every two months you clean the filter according to the following:
  - Remove filter from the hood and soak in a cleaning solution.
  - Rinse thoroughly with warm water to clean and dry.
  - The filter can also be cleaned in the dishwasher.
4. The aluminium panel may become discoloured after repeated washing. This is normal and there is no need to request a replacement filter.



## Danger

1. When the panel is lowering, DO NOT place your hand on the decorative panel – DANGER of trapping fingers. See (Fig.12) below.
2. Ensure that there are no other items in the vicinity to hinder the hood from rising or lowering, eg. handles, spoons, pens, etc. See (Fig.13).
3. KEEP CHILDREN AWAY FROM THE APPLIANCE WHEN IT IS OPERATING.
4. Do not leave pan handles over area where hood rises, due to risk of spillage.

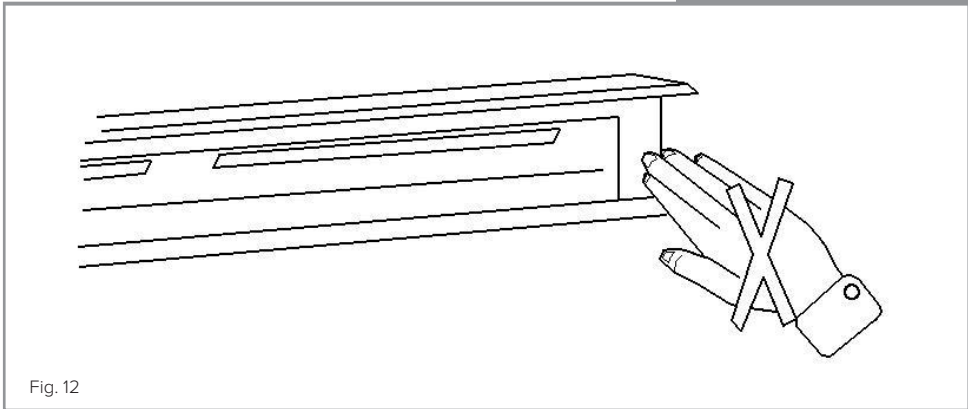


Fig. 12

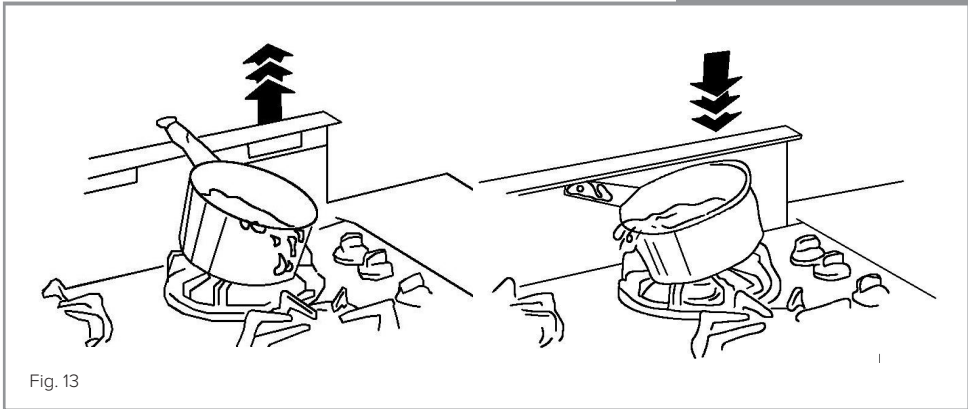


Fig. 13

| <b>Attribute</b>   | <b>Symbol</b> | <b>Value</b> | <b>Units</b>      |
|--|---------------|--------------|-------------------|
| Model Identification   |               | PRDE0004     |                   |
| Annual Energy Consumption  | $AEC_{Hood}$  | 97.9         | kWh               |
| Time Increase factor   | f             | 1.7          |                   |
| Fluid Dynamic Efficiency   | $FDE_{Hood}$  | 9.4          |                   |
| Energy Efficiency Index  | $EEl_{Hood}$  | 96.3         |                   |
| Measured Airflow at Best Efficiency Point                          | $Q_{BEP}$     | 266.7        | m <sup>3</sup> /h |
| Measured Pressure at Best Efficiency Point                         | $P_{BEP}$     | 194          | Pa                |
| Maximum Airflow  | $Q_{MAX}$     | 510          | m <sup>3</sup> /h |
| Measured Electric Power at Best Efficiency Point                   | $W_{BEP}$     | 153.1        | W                 |
| Nominal Lighting Power   | WL            | 4            | W                 |
| Average Illumination of the lighting system on the cooking surface | $E_{Middle}$  | 350          | Lux               |
| Measured Power Consumption in standby                              | $P_s$         | 0.7          | W                 |
| Measured Power Consumption off mode                                | $P_o$         | 0.47         | W                 |
| Noise Level  | $L_{WA}$      | 69           | dB(A)             |
| Grease Filter Efficiency   | $GFE_{Hood}$  | 67.6 (D)     | %                 |
| Lamp Efficiency  | $LE_{Hood}$   | 87.5 (A)     | %                 |

E & O E. All instructions, dimensions and illustrations are provided for guidance only. PRIMA reserves the right to change specifications without prior notice.



Please call **PRIMA CARE** for Service;  
Contact number: 0344 576 6841  
Website: [www.prima-appliances.uk/primacare](http://www.prima-appliances.uk/primacare)