

## PDT-000051

## 2.4 Litre Instant hot water tank



### General Information

#### Standards 1

#### EMC:

EN 55015: 2013+A1: 2015; EN 61547: 2009;  
EN 61000-3-2: 2014, EN 61000-3-3: 2013

#### LVD:

EN 60335-2-35: 2002 + A1: 2006 + A2: 2011  
EN 60335-1: 2012 + A11: 2014; EN 62233: 2008

#### Construction Material

ABS/ Glass

#### Installation type

Stand alone

#### Colour / Finish

Matt Black

#### Certification

WRAS

#### WRAS No:

Pending



### Specification

#### Connection 1

3/8" BSP Female to 1/2" BSP Male adaptor

#### Connection 2

3/8" BSP Female to quick connection adaptor

#### Tank capacity

2.4 Ltrs

#### Rated Input

1.5kw

#### Rated Voltage

220-240V ac, 50HZ

#### Standby Power

2.2w

#### IPX Classification

IPX4

#### Static Bar Pressure

1Bar

#### Dynamic Bar Pressure

1.5 to 5Bar

#### Optimum working pressure

1Bar Minimum to 3Bar Maximum

#### Plug Type

Fused 13A 3 Pin Plug

#### Power Cord Length (mm)

910

#### Function type

Touch screen digital interactive control

#### Temperature Control

75°C to 98°C

#### Guarantee

2 years

#### Height (mm):

330

#### Width (mm):

230

#### Length / Depth (mm):

210

#### SKU CAT No:

3

#### Category:

Kitchens

#### Sub Category:

Hot Water Taps

#### Product Weight (KG):

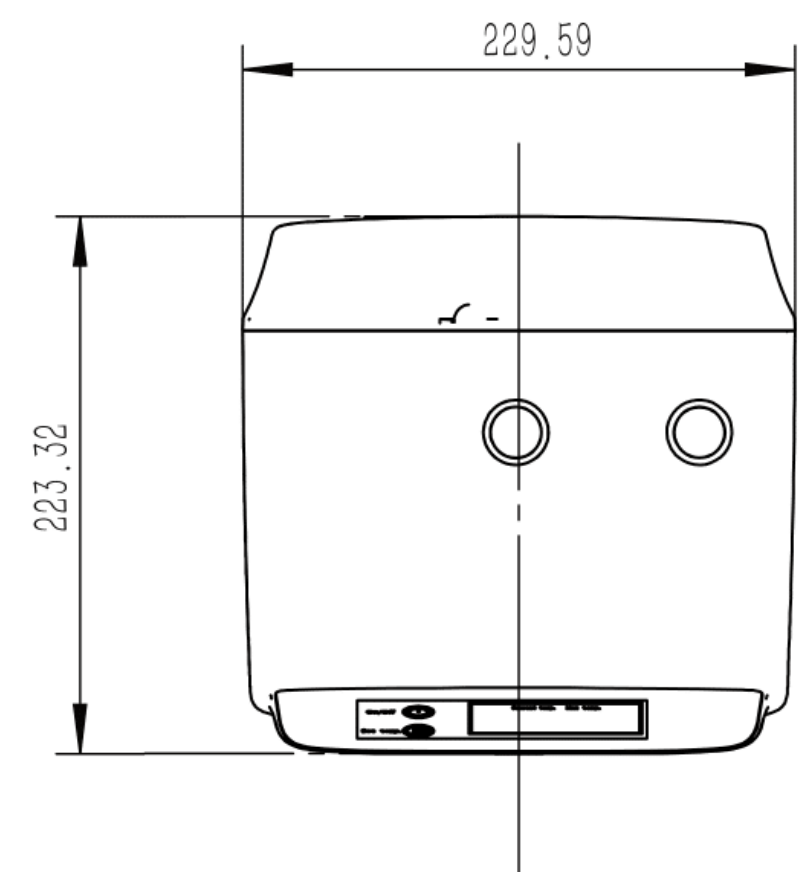
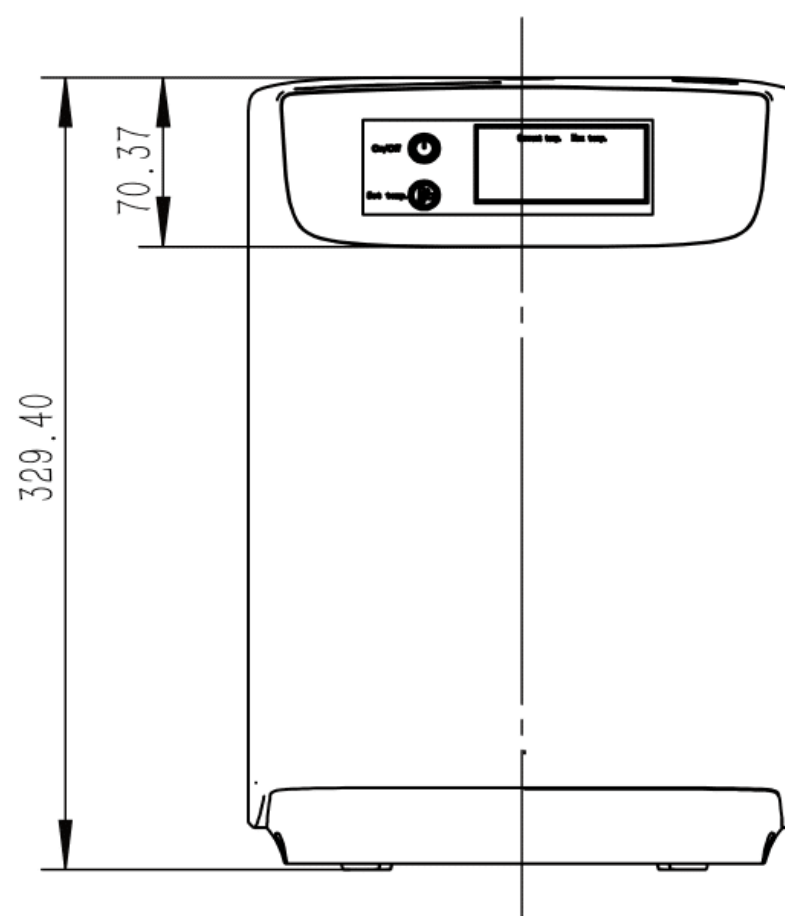
4.5

#### Carton Quantity (Pcs):

4

#### EAN:

5010000051006



**T: 01724 847397 or E: SALES@ELLSI.CO.UK**