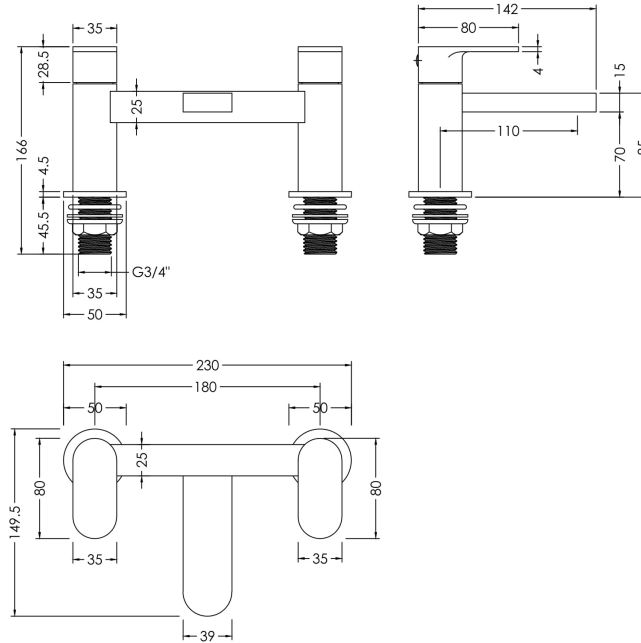


Sales Code: BIN303

Description: Binsey D/M Bath Filler



Product Dimensions

Height (mm):	120
Width (mm):	215
Depth (mm):	142
Length (mm):	
Nett Weight (kg):	1.77

Packaging Dimensions

Height (mm):	185
Width (mm):	190
Depth (mm):	270
Gross Weight (kg):	1.77

Packaging Data

Box Colour:	White Cardboard Box
Box Qty:	1
Label Size:	100 x 50
Label Colour:	White Label
Label Qty:	1

Outer Box Dimensions (If Applicable)

Height (mm):	560
Width (mm):	540
Depth (mm):	530
Length (mm):	

Gross Weight (kg):	
Barcode:	5056211898856

Product Details

Country of Origin:	China
Fitting Instruction:	No
Product Material:	Brass
Control Type:	Manual
Waste Included:	Waste Not Included
Waste Type:	Not Applicable
WRAS Approval: No	Approval No: N/A
Valve/Cartridge Type:	1/4 Turn Ceramic Disc
Colour/Finish:	Chrome
Mount Type:	Deck
Operating Pressure (bar):	1

Flow Rates: (Litres Per Min)	0.1 bar: 6.3	0.5 bar: 16	1 bar: 23.1	2 bar: 33.3	3 bar: 41
Pipe Size:	3/4"				
Pipe Centres:	180				