

NVA BF C

NIVA Tap Range Niva Bath Filler Chrome



Features:

- A hard-wearing, flawless chrome finish that lasts for years
- Long life and easy to use 1/4 turn ceramic disc valves
- Supplied with metal fixing nuts to secure your tap in place
- Suitable for high and low pressure water systems

Product Certifications:

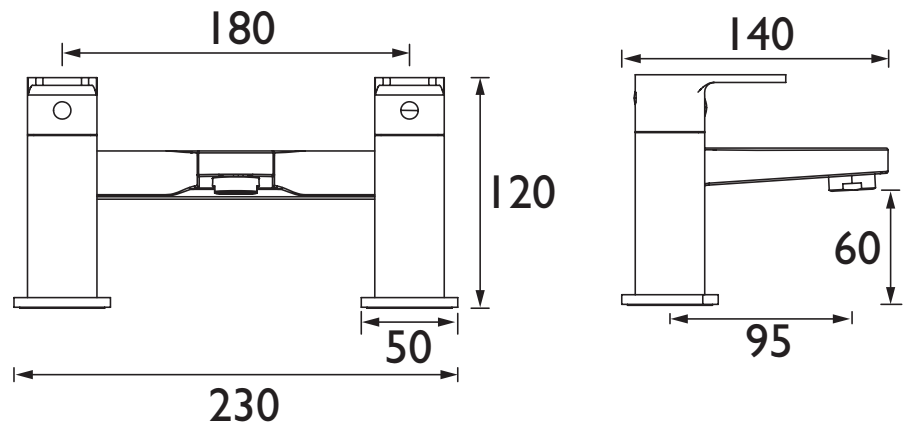
For more products, visit our website:
<http://www.bristan.com>



Specification

Product Type:	Bathroom Tap
Main Construction Material:	Brass
Mount Type:	Deck
Handle Type:	Lever
Connection Inlet:	G 3/4"
Connection Outlet:	Flow Straightener
Number of Tap Holes:	2
Valve/Cartridge Type:	3/4" Ceramic Disc Valve - 1/4 Turn
Plumbing System Requirements:	Suitable for plumbing systems
Minimum Dynamic Pressure (bar):	0.2
Maximum Dynamic Pressure (bar):	5.0
Maximum Hot Water Temperature °C:	60
Maximum Static Pressure (bar):	10
Flow Type:	Single
Isolation Included:	No

Dimensions (measurements in mm)



Flow Rates (l/min)

System Pressure (bar)	0.2	0.5	1	2	3	5
NVA BF C (mixed)	18.3	29.4	41.8	59.7	72.9	94.0

TECHNICAL DATA SHEET



BRISTAN

D1