

NVA BAS C

NIVA Tap Range Niva Basin Mixer with Clicker Waste Chrome



Features:

- A hard-wearing, flawless chrome finish that lasts for years
- Long life ceramic cartridge for added durability and ease of use
- All in one box - Includes flexible tails and clicker waste so nothing to buy separately
- Supplied with metal fixing nut to secure your tap in place
- Suitable for high and low pressure water systems

Product Certifications:



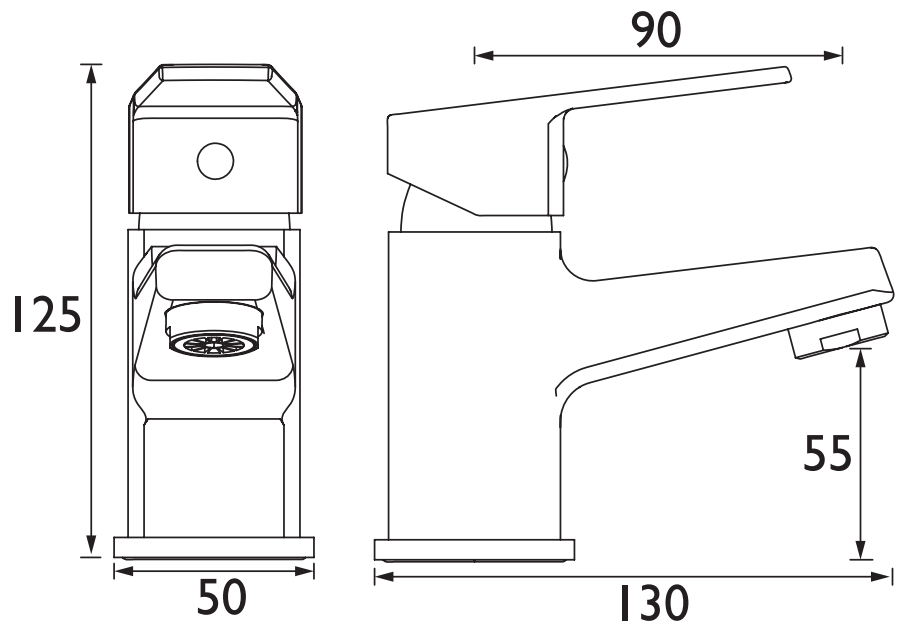
For more products, visit our website:
<http://www.bristan.com>



Specification

| | |
|--|-----------------------------------|
| Product Type: | Bathroom Taps |
| Main Construction Material: | Brass |
| Mount Type: | Deck |
| Handle Type: | Lever |
| Connection Inlet: | 1/2" BSP Flexible Tails |
| Connection Outlet: | M24 Flow Straightener |
| Number of Tap Holes: | 2 |
| Valve/Cartridge Type: | 35mm Single Lever Cartridge |
| Plumbing System Requirements: | Suitable for all plumbing systems |
| Minimum Dynamic Pressure (bar): | 0.2 bar |
| Maximum Dynamic Pressure (bar): | 5.0 bar |
| Maximum Hot Water Temperature °C: | 65°C |
| Maximum Static Pressure (bar): | 10 bar |
| Flow Type: | Single |
| Isolation Included: | No |

Dimensions (measurements in mm)



Flow Rates (l/min)

| System Pressure (bar) | 0.2 | 0.5 | 1 | 2 | 3 | 5 |
|-----------------------|-----|------|------|------|------|------|
| NVA BAS C (mixed) | 6.4 | 10.7 | 15.4 | 22.1 | 27.3 | 35.4 |

TECHNICAL DATA SHEET



BRISTAN

D2