

PRODUCT DATA SHEET



PRODUCT CODE

MOD440R

RANGE

Module

DESCRIPTION

Module 2 Outlet Valve With Outlet For Bath Spout and Handshower

MATERIAL	Brass
INSTALLATION TYPE	Wall Mounted
STANDARDS	EN 1111:2017
HEADWORK	Thermo Cartridge Flow Controls
INLET CONNECTIONS THREAD	G3/4"
OUTLET CONNECTIONS THREAD	G3/4"
WEIGHT	5kg
WARRANTY	15 Years (5 Years Cartridge)

MIN. PRESSURE 1 Bar

MAX. PRESSURE 5 Bar

PROMOD440TRIMx - 2 OUTLET

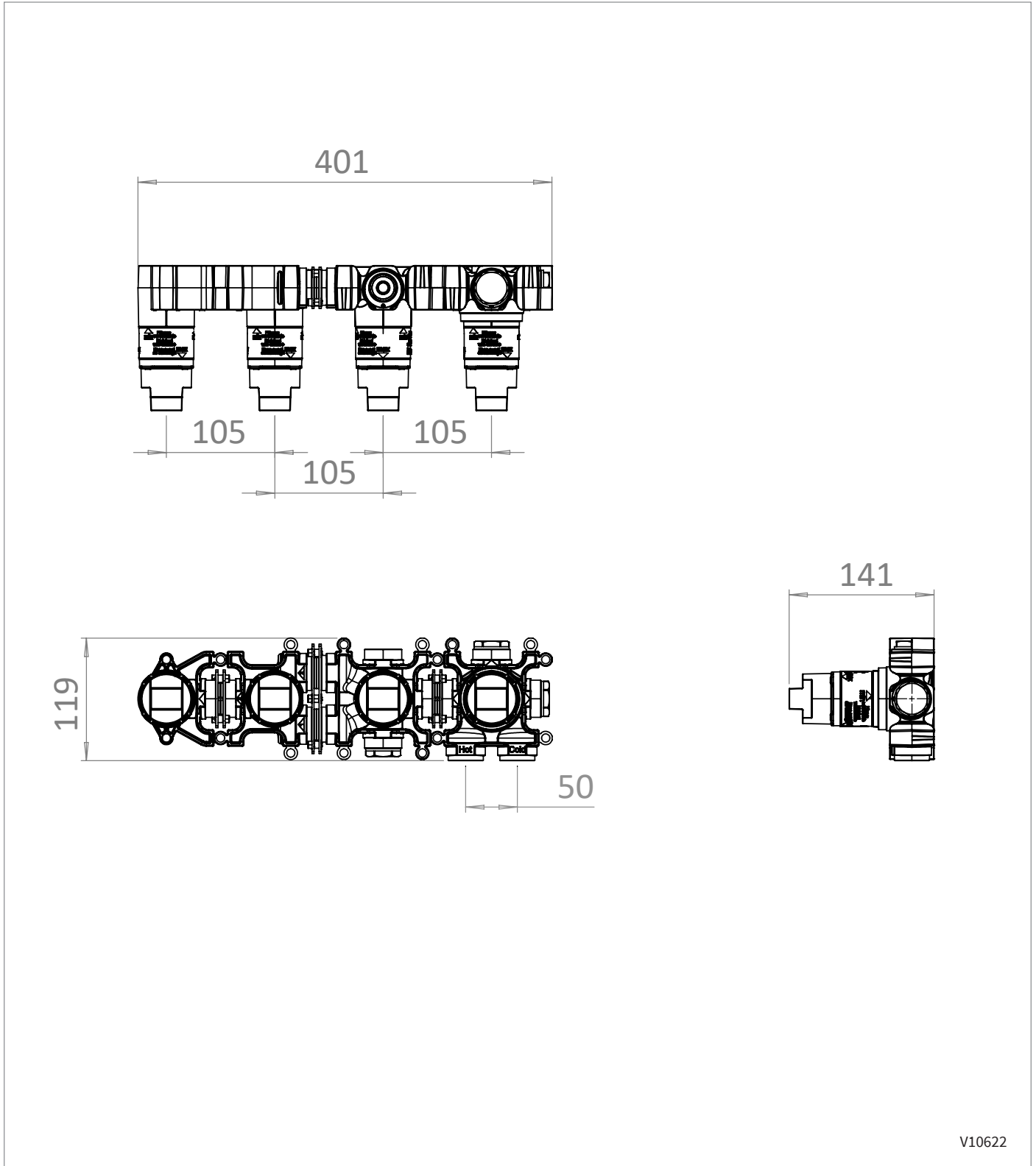
FLOWRATE

PRESSURE (BAR)	EXIT 1 TOP OR BOTTOM	EXIT 2 BATH SPOUT	EXIT 3 HAND SHOWER	
MID	0.5	8.5	8	4.1
	1	12.4	11.7	6
	2	18	17	8.5
HIGH	3	22	21	10.6
	4	25.6	24	12.3
	5	28.5	26.7	13.8

TECHNICAL DIMENSIONS

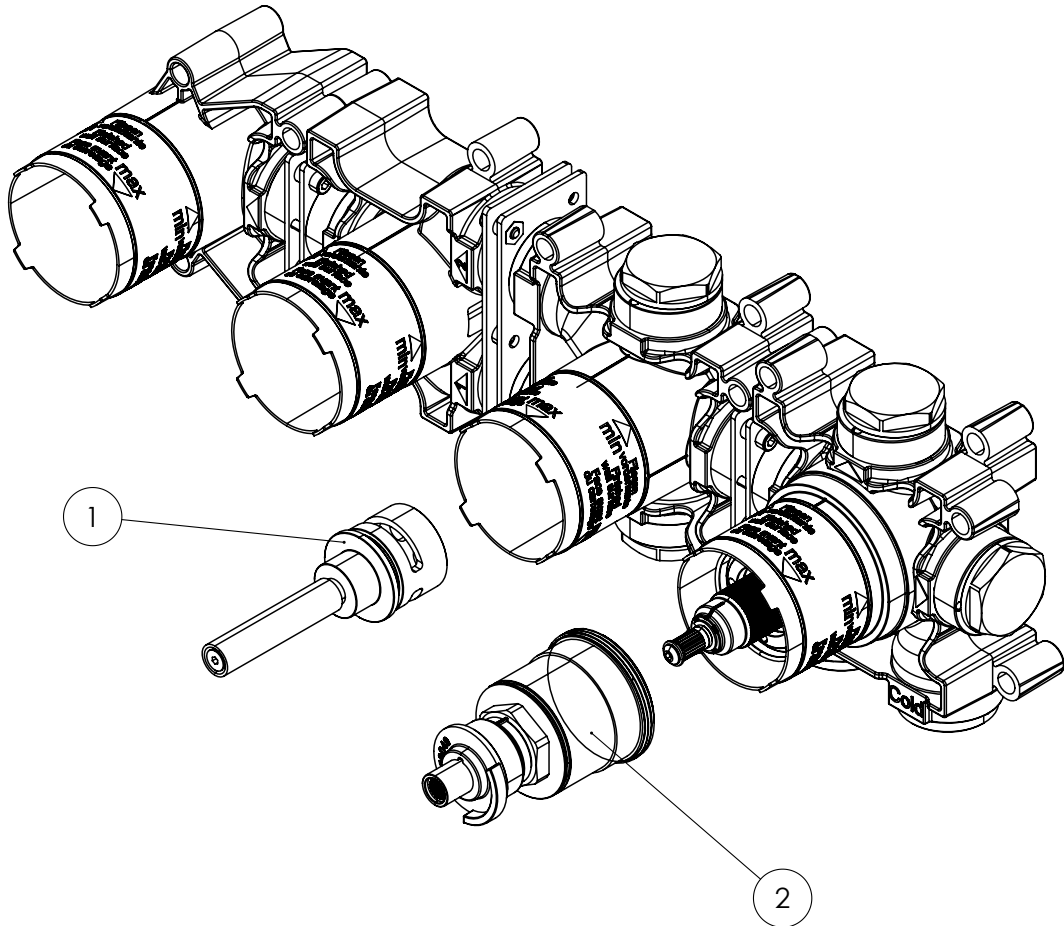
Dimensions in mm unless otherwise specified.

Tolerances (per material type) apply.



V10622

SPARES DIAGRAM



NUMBER	PART CODE	DESCRIPTION
1	E250005.000HESC	Module 2 Way Diverter Cartridge
2	E250031.000HESC	Module Thermo Cartridge

Only the parts labelled are available as spares.

V10822