

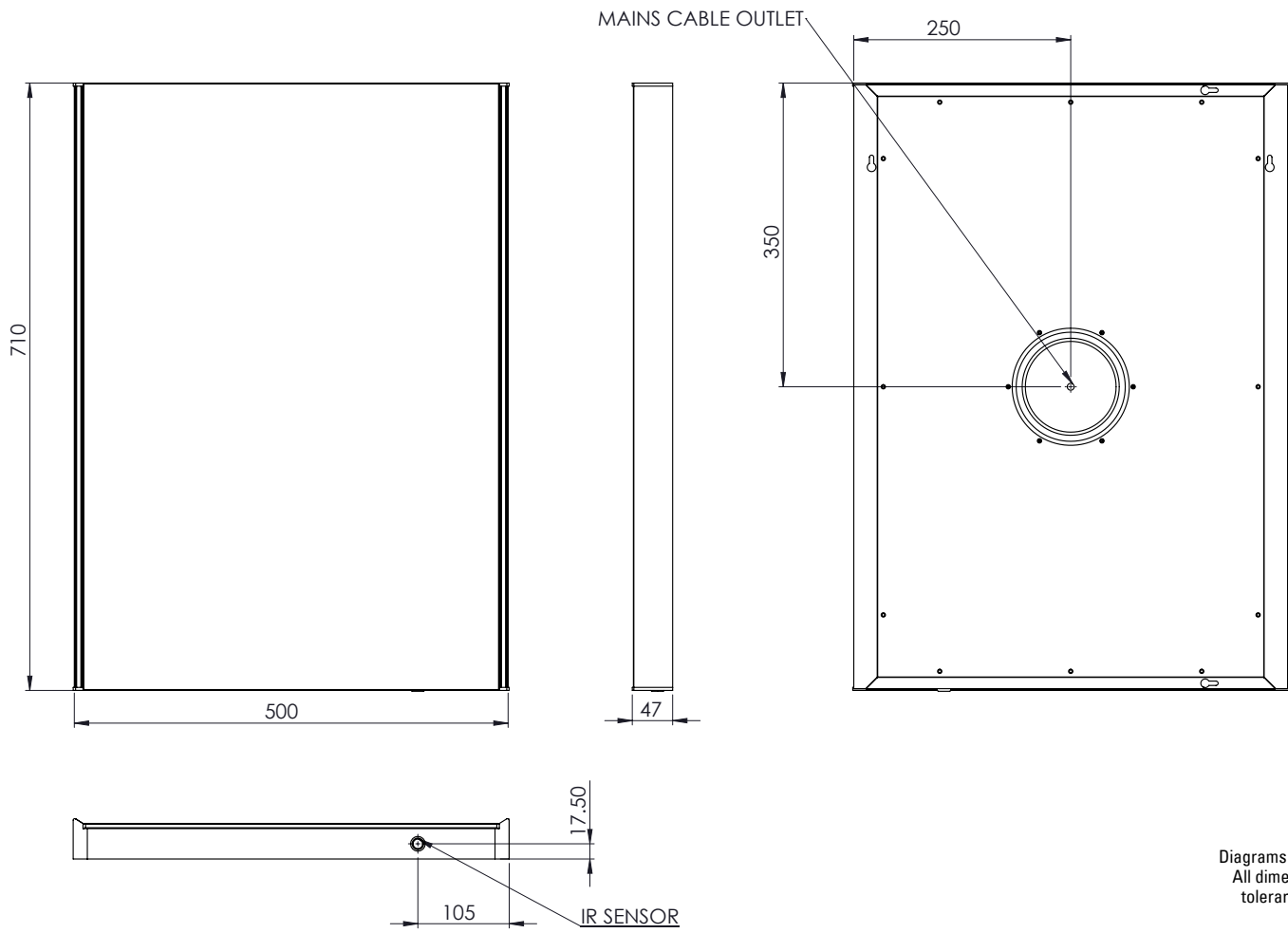


MLE470 Precise

## Features

- LED Technology
- Demister Pad
- IR Sensor
- Heated Demister
- IP44 Rated

Dimensions



Diagrams not to scale  
All dimensins in mm  
tolerance of +2mm

Is the mirror IP44 rated? Yes it can be placed in Zone 2.

Can the mirror be hung portrait & Landscape? Yes

What size fuse should I use? We cannot recommend fuse size as each installation is different a qualified Electrician should be consulted in accordance with IEE 7671

Is the mirror fitted with a mains cable? Yes the cable length is 500mm.

What is the wattage of the light? 16.8 Watts

What is the output of the demister pad? 34.88 Watts

Can the LED lighting be replaced? Yes we offer spares and instruction on how to replace them.

Does the mirror have an energy rating? The mirror has an energy rating for the LED lighting used only in accordance with EU 874-2012. This LED's used in this product are rated is 'A'.

What is the thickness of the mirror glass? 5mm and it is film backed for additional safety

Does the mirror have a shaver socket? No

Where is the IR sensor located? Refer to above drawing

Can the IR sensor be re-positioned? No

How do I turn on the demister pad? The demister pad is activated when the light on the mirror is turned 'ON'.

Once the light is turned 'OFF' the demister pad is switch off.

How do you fix the mirror to the wall? Keyhole slots using screws and raw plugs to secure, refer to enclosed instructions for further details.

Where is the mains cable entry located? Refer to above drawing.