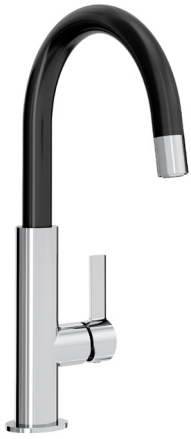


MLB SNK BLK

MELBA Tap Range Melba Sink Mixer Black



Features:

- Long life and easy to use 1/4 turn ceramic disc valves
- Metal fixing nut for added durability
- Minimum working pressure of 1.0 bar
- Flexible tails included
- Chrome plated to BS EN 248

Product Certifications:



WRAS Cert. Number: 2106903
WRAS Expiry Date: 30/06/2026



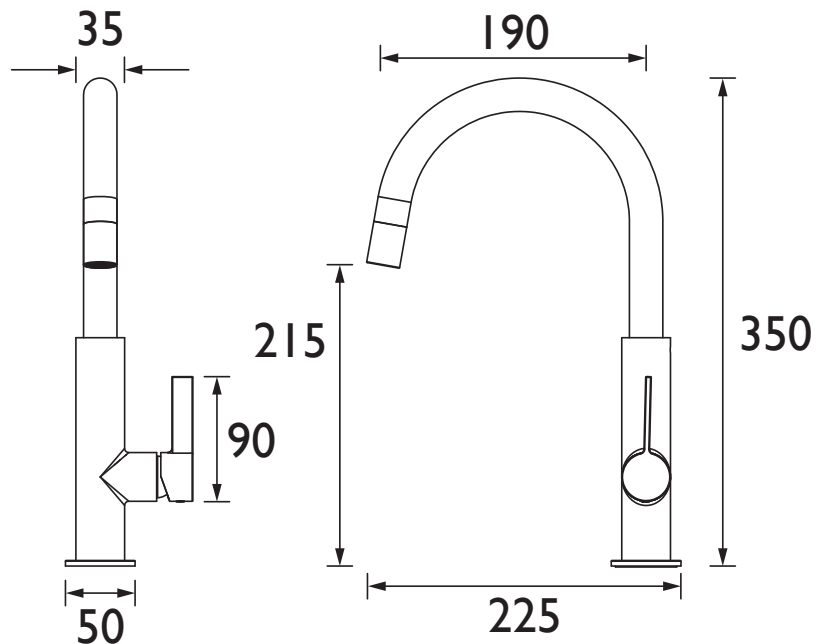
For more products, visit our website:
<http://www.bristan.com>



Specification

Product Type:	Kitchen Taps
Main Construction Material:	Brass
Mount Type:	Deck Mounted
Handle Type:	Lever Handle
Connection Inlet:	G1/2"
Connection Outlet:	M22 Flow Straightener
Number of Tap Holes:	1
Valve/Cartridge Type:	25mm Cartridge
Plumbing System Requirements:	Suitable for high pressure systems
Minimum Dynamic Pressure (bar):	1.0 bar
Maximum Dynamic Pressure (bar):	5.0 bar
Maximum Hot Water Temperature °C:	65°C
Maximum Static Pressure (bar):	10 bar
Flow Type:	Single Flow
Isolation Included:	No

Dimensions (measurements in mm)



Flow Rates (l/min)

System Pressure (bar)	1	2	3	5
MLB SNK BLK (mixed)	7.4	10.5	12.9	16.7

TECHNICAL DATA SHEET



BRISTAN