

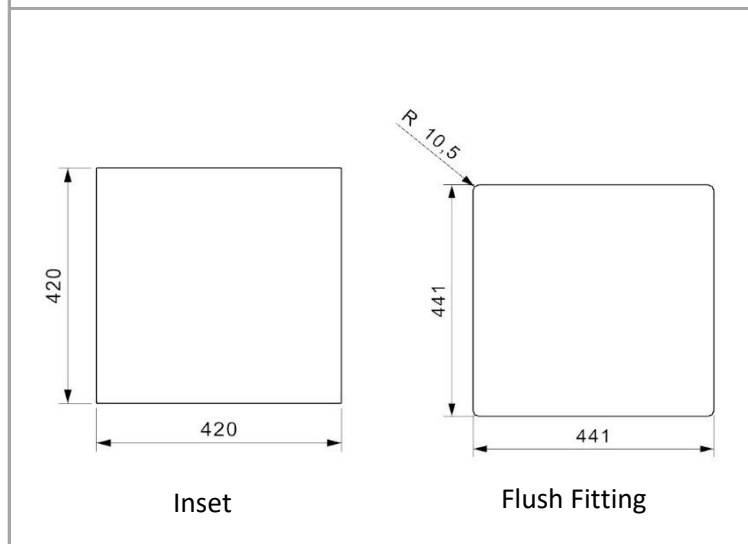
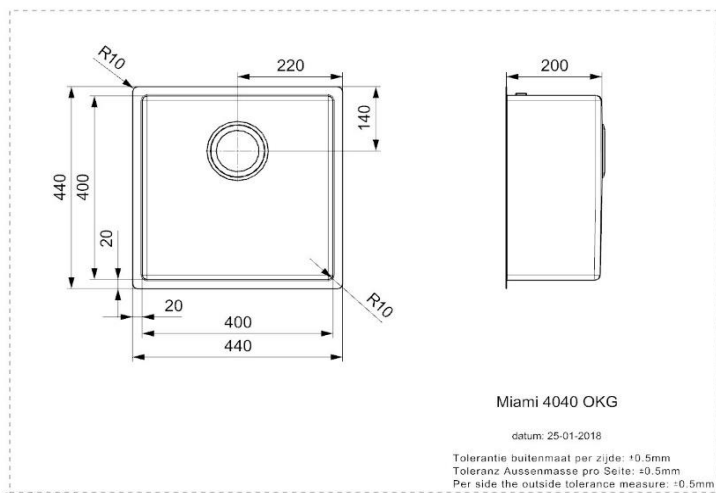
Technical Specification Sheet

MIAMI 40X40

R30707 / R30714 / R30691



Specification	
Material	Stainless Steel
Finish	PVD
Colour	Copper / Gold / Gunmetal
Gauge	0.9
Welded/Pressed	Pressed
No. of bowls	1
Fitting Method	Inset/Flush/Undermount
Handing Options	n/a
Cabinet Size (mm)	450
Overall Length (mm)	440
Overall Width (mm)	440
Main Bowl Length (mm)	400
Main Bowl Width (mm)	400
Main Bowl Depth (mm)	200
Second Bowl Length (mm)	N/A
Second Bowl Width (mm)	N/A
Second Bowl Depth (mm)	N/A
Waste Kit Included (Yes/No)	Yes
Clips & Seals Included (Yes/No)	Yes (inset only)
Waste Size (mm)	90
Waste Kit Code	M 2900 (GM) / M 2910 (C) / M 2910 (G)
Clips & Seals Code	Star Clips x8
Overflow Location	Central, back of the bowl
Cut Out Length (mm)	520 (inset)
Cut Out Width (mm)	420 (inset)
Product Weight (kg)	6
Packed Weight (kg)	7.5
Packed Dimensions (mm)	670 x 500 x 300
EAN number	Copper - 8712465030707 Gold - 8712465030714 Gunmetal - 8712465030691



Warranty	
5 Years on manufacturing 1 years serviceable parts warranty (waste kit, clips & seals)	
Care & Maintenance	
Clean with warm soapy water only You can use the Reginox care cleaners to help maintain the steel finish Avoid using anything abrasive on sink surface as will void the warranty	

--	--	--	--