

# LQR PROSNK C

## LIQUORICE Tap Range Liquorice Monobloc Sink Mixer with Pull Down Spray Chrome



### Features:

- Long life ceramic cartridge for added durability and ease of use
- Metal fixing nut for added durability
- Minimum working pressure of 1.0 bar
- Product supplied with two check valves
- Flexible tails included

### Product Certifications:



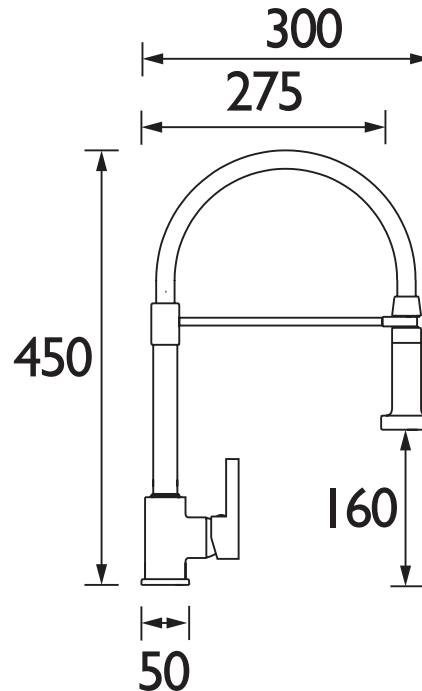
For more products, visit our website:  
<http://www.bristan.com>



### Specification

Product Type:	Kitchen Taps
Main Construction Material:	Brass
Mount Type:	Deck Mounted
Handle Type:	Lever Handle
Connection Inlet:	1/2" BSP Flexible Tails
Connection Outlet:	Spray Handset
Number of Tap Holes:	1
Valve/Cartridge Type:	35mm Single Lever Cartridge
Plumbing System Requirements:	Suitable for all plumbing systems
Minimum Dynamic Pressure (bar):	1 bar
Maximum Dynamic Pressure (bar):	5 bar
Maximum Hot Water Temperature °C:	65°C
Maximum Static Pressure (bar):	10 bar
Flow Type:	Single Flow
Isolation Included:	No

### Dimensions (measurements in mm)



### Flow Rates (l/min)

System Pressure (bar)	1	2	3	4	5
LQR PROSNK C (mixed)	5	7.1	9.1	12.3	13.4

## TECHNICAL DATA SHEET



# BRISTAN

D6