

AFTERCARE INSTRUCTIONS

Your fitting has a high quality finish and should be treated with care to preserve the visible surfaces.

All surface finishes will wear if not cleaned correctly, the only safe way to clean your mixer is to wipe with a soft damp cloth. Stains can be removed using washing up liquid. All bath cleaning powders and liquids will damage the surface of your fitting, even the non-scratch cleaners. **NOTE: Never use abrasive detergents or disinfectants or those containing alcohol, hydrochloric acid or phosphoric acid.**

Bristan recommend E-Cloth for cleaning all of our bathroom & kitchen products. Using just water, E-cloth gives a smear free, deep clean by breaking up and holding dirt, which normal cloths leave behind. Order through your Bristan stockist. (ORDER CODE: ECLOTH)



GUARANTEE

All products are manufactured to the highest standards and a 5 year guarantee covers any defect in manufacture.

NOTE: The 5-year guarantee on the cartridge is invalidated if damaged by any waterborne debris.

All products must have access for servicing or replacement during the life of the product.

In the interests of continuous product development we reserve the right to alter specification as necessary

PRODUCT CODE:

PRODUCT IDENTIFICATION CODE LASER ETCHED ON PRODUCT

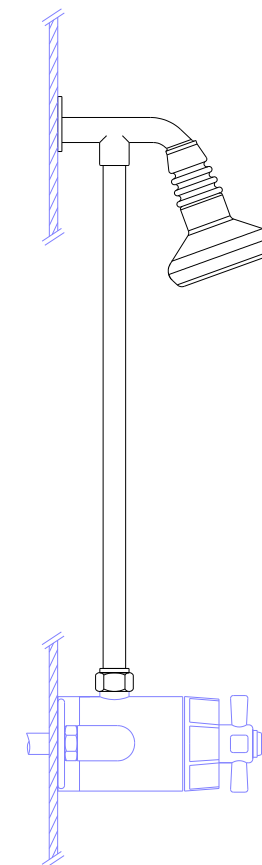
Installer please fill in code here _____.(Where applicable)

TELEPHONE HELPLINE! +44 (0)844 701 6273

Bristan Group Limited
Birch Coppice Business Park
Dordon
Tamworth
Staffordshire
B78 1SG
UK

A Masco Company
Website: www.bristan.com
Telephone: +44 (0) 844 701 6274
Facsimile: +44 (0) 844 701 6275

BRISTAN



Commercial

Fixed Riser Rail (Fixed Shower Head With Rigid Riser)

Fitting Instructions & Contents List

Before starting any installation project please consider:

Prior to drilling into walls, check there are no hidden electrical wires, cables or water supply pipes with the aid of an electronic detector. If you use power tools do not forget:

- Wear eye protection
- Unplug equipment after use

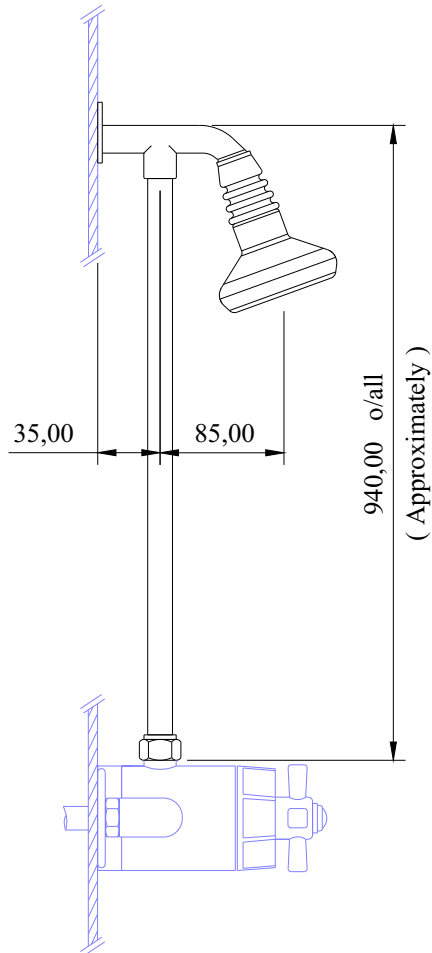


Please keep these instructions for future reference and request of replacement part

NOTE:

The distance from the wall to the inlet (shower outlet connection on the mixer) is **35mm**. For other dimensions see Fig.1.

Fig.1.
Installation Diagram



Before starting any installation project please consider:

Prior to drilling into walls, check there are no hidden electrical wires, cables or water supply pipes with the aid of an electronic detector. If you use power tools do not forget:

- Wear eye protection
- Unplug equipment after use

**INSTALLATION**

1. Identify all components and check for completeness, particularly before commencing installation.
2. Trim the vertical riser (2) length to suit the installation.

Note:

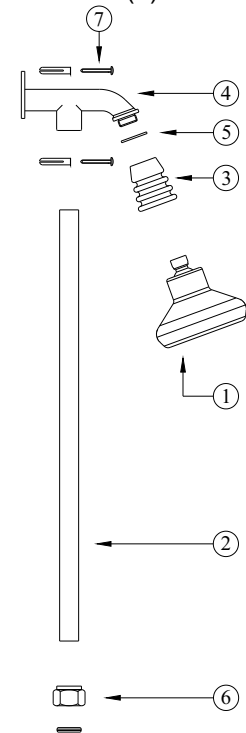
- 2.1 It is important that the pipe ends are cut square. In order to minimise the risk of damaging the pipe, during cutting, wrap them in cloth material: hold them firmly and cut with a sharp, fine toothed hacksaw.
- 2.2 The maximum over all height from top of mixer valve to top of horizontal arm (4) is 940mm approximately.

3. Connect the vertical riser (2) to the shower valve with the nut and olive (6) provided.
4. Insert the other end of the vertical riser to the horizontal arm (4) as far as it will go, using the fixing holes on the horizontal arm as a template, mark the fixing positions of the holes.
5. Drill holes and using the screws/wall plugs (7) supplied, secure horizontal arm (4) to wall.
6. Fit grommet (3) onto shower rose swivel (1) and fibre washer (5) onto end of horizontal arm (4).
7. Screw shower rose (1) onto horizontal arm (4).
8. Turn on water.
9. Check all joints and connections for leaks.
10. See back page for aftercare instructions.

Fig.2.
Contents

Parts List:

1. Shower Rose
2. Vertical Riser
3. Grommet
4. Horizontal Arm
5. Fibre Washer
6. Nut and Olive
7. Fixing Screw/Plug (x3)

**PLEASE NOTE:**

In the unlikely event you find a part missing, please contact our Customer Service helpline on **0844 701 6273** for immediate dispatch of part