

Technical Specification Sheet

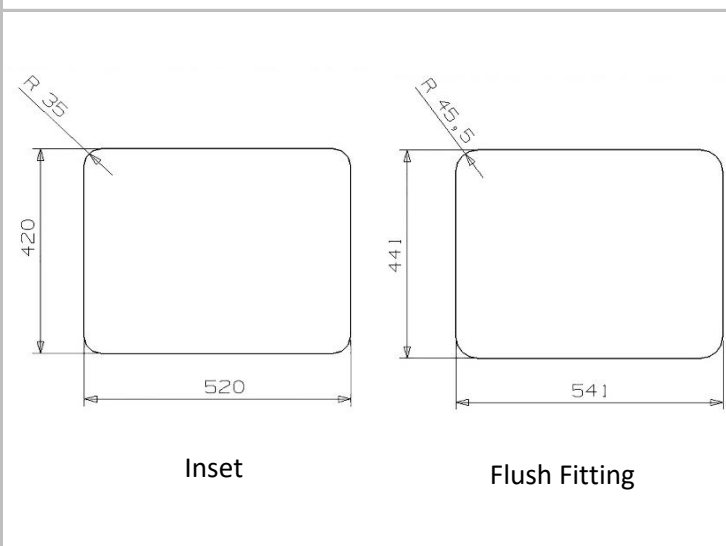
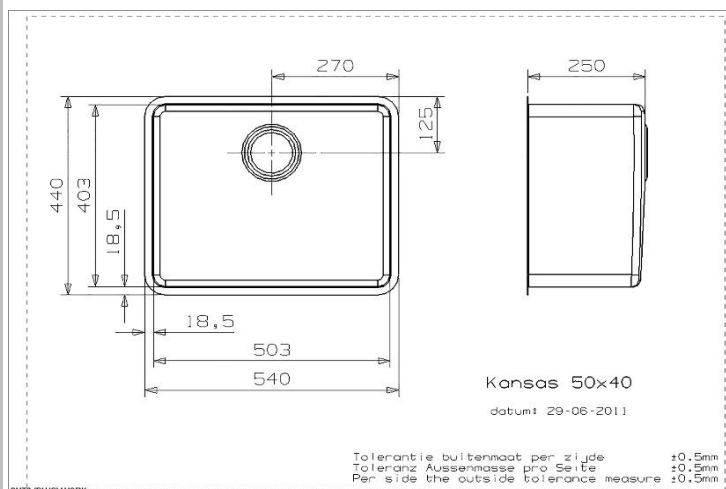
KANSAS 50X40 L

R19054



Specification

Material	Stainless Steel
Finish	Polished
Colour	
Gauge	0.9
Welded/Pressed	Pressed
No. of bowls	1
Fitting Method	Inset/Flush/Undermount
Handing Options	n/a
Cabinet Size (mm)	600
Overall Length (mm)	540
Overall Width (mm)	440
Main Bowl Length (mm)	503
Main Bowl Width (mm)	403
Main Bowl Depth (mm)	250
Second Bowl Length (mm)	
Second Bowl Width (mm)	
Second Bowl Depth (mm)	
Tap Hole Size (mm)	n/a
Waste Kit Included (Yes/No)	Yes
Clips & Seals Included (Yes/No)	Yes (inset only)
Waste Size (mm)	90
Waste Kit Code	M 1720 / M 1788 / OP001
Clips & Seals Code	Star Clips x8
Overflow Location	Central, back of the bowl
Cut Out Length (mm)	520 (inset)
Cut Out Width (mm)	420 (inset)
Product Weight (kg)	6
Packed Weight (kg)	7.5
Packed Dimensions (mm)	670 x 500 x 300
EAN number	8712465019054



Warranty

Lifetime on manufacturing | 1 years serviceable parts warranty (waste kit, clips & seals)

Care & Maintenance

Clean with warm soapy water only | You can use the Reginox INOX care cream to help maintain the steel finish | Avoid using anything abrasive on sink surface as will void the warranty