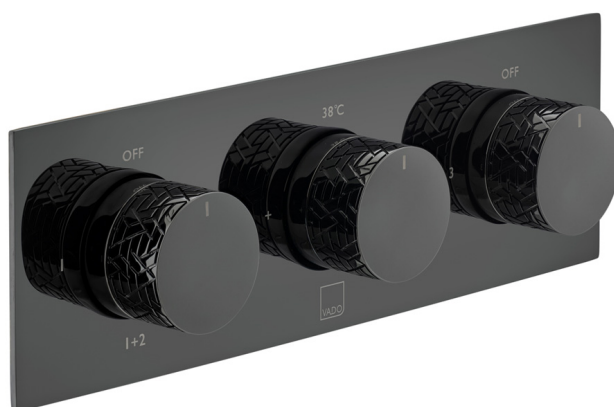


# SPECIFICATION SHEET

**COLLECTION:** OMIKA NOIR

**PRODUCT CODE:** IND-T128/3-H-OMI-PB



## DESCRIPTION:

Tablet Omika horizontal concealed 3 outlet 3 handle thermostatic shower valve with all-flow function wall mounted  
thermostatic cartridge V-001C-PLA  
diverter cartridge TAB-001G-DIV  
flow cartridge TAB-002A-3/4  
2 x 3/4" female inlets  
3 x 3/4" female outlets  
includes 3/4" - 1/2" adaptors  
supplied with mortar/tile guard  
min-max wall mount 75-100mm  
optimum installation depth 87mm  
minimum operating pressure  
0.2 bar LP (shower) 1.0 bar MP (bath)

## FINISH:

Polished Black

## MINIMUM OPERATING PRESSURE:

0.2 bar LP (shower) 1.0 bar MP (bath)

## FLOW RATE AT 3.0 BAR FLOW PRESSURE:

outlet 1 30.1 outlet 2 30.1 outlet 3 33.2 l/min



tel: 01934 744466  
email: sales@vado.com  
www.vado.com

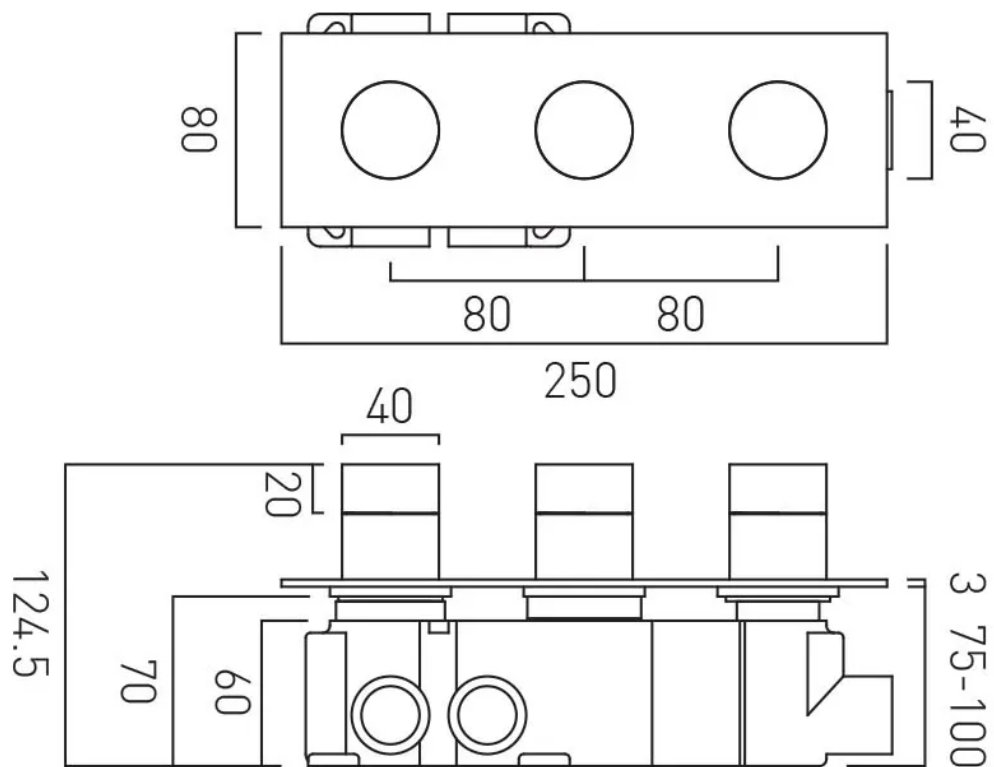
**where inspiration flows**  
taps | showering | accessories



# TECHNICAL DRAWING

**COLLECTION:** OMIKA NOIR

**PRODUCT CODE:** IND-T128/3-H-OMI-PB



tel: 01934 744466  
email: sales@vado.com  
www.vado.com

**where inspiration flows**  
taps | showering | accessories

