

SPECIFICATION SHEET

COLLECTION: WASTES

PRODUCT CODE: IND-SHATTAF/163-BRN



DESCRIPTION:

luxury shattaf kit
wall mounted
with concealed thermostatic mixing valve
and angle valve
with 100cm hose and wall bracket
mixing valve thermostatic cartridge V-001D-PLA
minimum operating pressure 0.2 LP

FINISH:

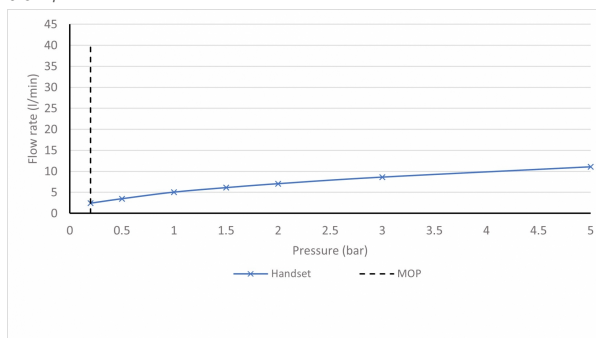
Brushed Nickel

MINIMUM OPERATING PRESSURE:

0.2 bar LP

FLOW RATE AT 3.0 BAR FLOW PRESSURE:

8.62 l/min



tel: 01934 744466
email: sales@vado.com
www.vado.com

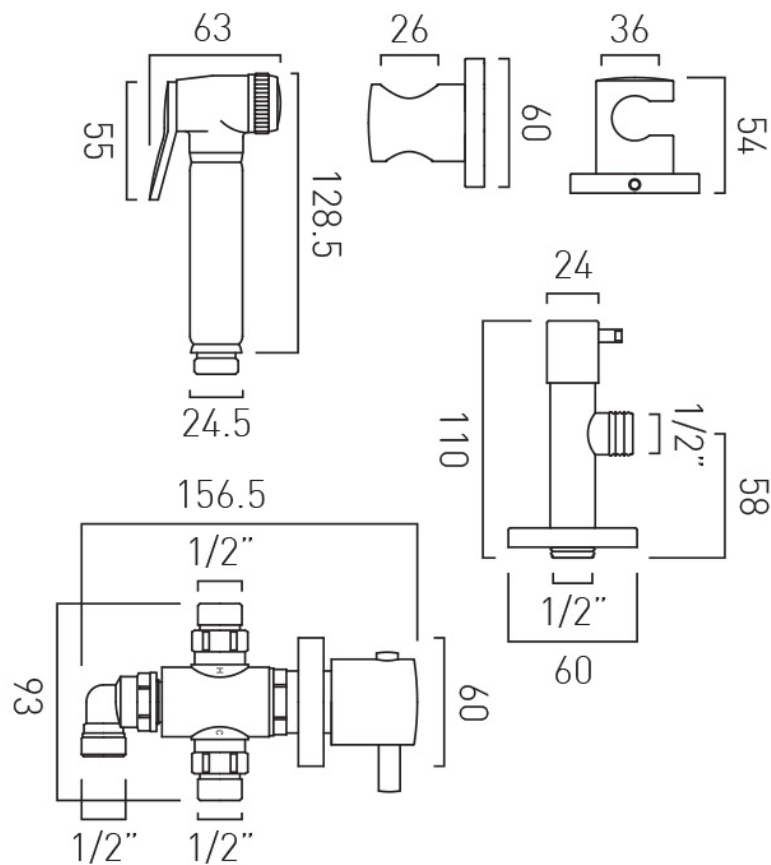
where inspiration flows
taps | showering | accessories



TECHNICAL DRAWING

COLLECTION: WASTES

PRODUCT CODE: IND-SHATTAF/163-BRN



tel: 01934 744466
email: sales@vado.com
www.vado.com

where inspiration flows
taps | showering | accessories

