

SPECIFICATION SHEET

COLLECTION:

PRODUCT CODE: IND-SFMKWO/SQ-BRG



DESCRIPTION:

single function mini shower kit
wall mounted
with hose and bracket with integral outlet
1/2" inlet
minimum operating pressure 1.0 bar MP

FINISH:

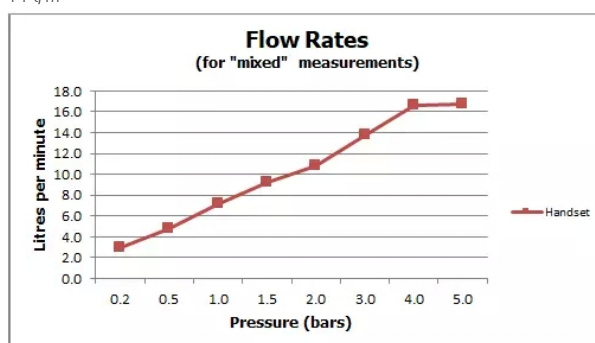
Brushed Gold

MINIMUM OPERATING PRESSURE:

1.0 bar MP

FLOW RATE AT 3.0 BAR FLOW PRESSURE:

14 l/m



tel: 01934 744466
email: sales@vado.com
www.vado.com

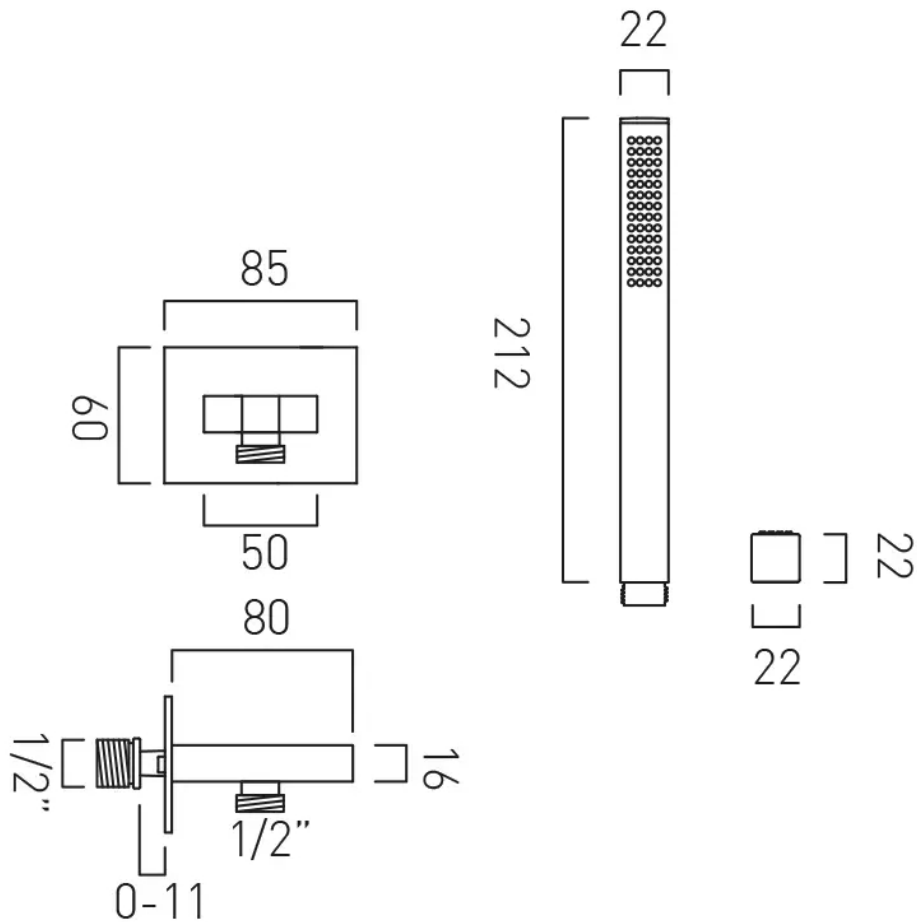
where inspiration flows
taps | showering | accessories



TECHNICAL DRAWING

COLLECTION:

PRODUCT CODE: IND-SFMKWO/SQ-BRG



tel: 01934 744466
email: sales@vado.com
www.vado.com

where inspiration flows
taps | showering | accessories

