

SPECIFICATION SHEET

COLLECTION: ORIGINS

PRODUCT CODE: IND-ORI233-BLK



DESCRIPTION:

bath shower mixer
with shower kit
single lever
floor mounted
fixed spout
with water flow straightener
ceramic cartridge C-013-N40
2 x 1/2" inlets
minimum operating pressure 1.0 bar MP

FINISH:

Brushed Black

FLOW REGULATOR:

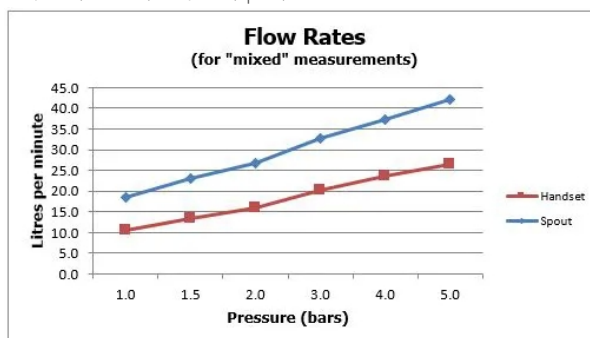
FR-FLEXI/8-PLA

MINIMUM OPERATING PRESSURE:

1.0 bar MP

FLOW RATE AT 3.0 BAR FLOW PRESSURE:

20 l/min (handset) 33 l/min (spout)



tel: 01934 744466
email: sales@vado.com
www.vado.com

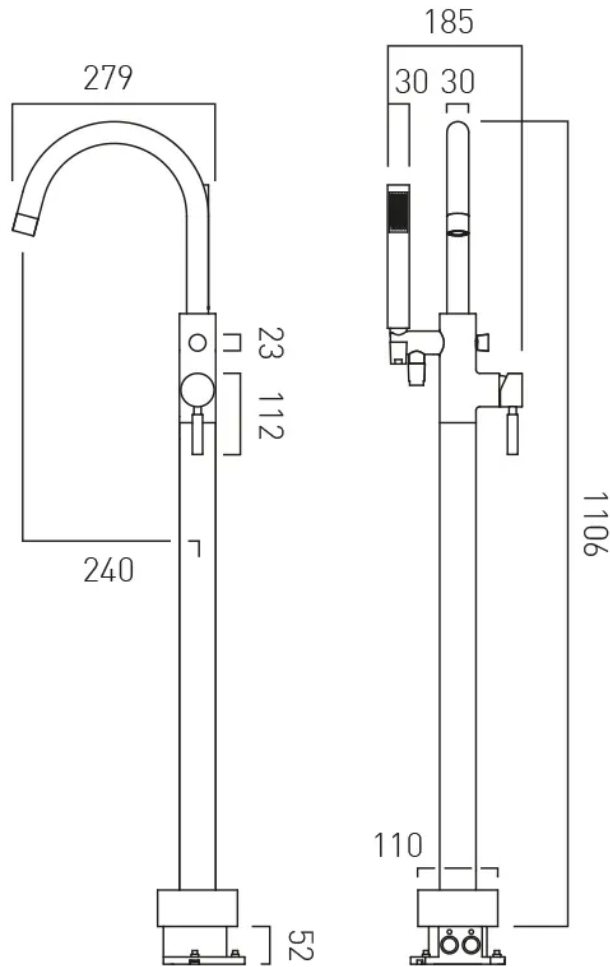
where inspiration flows
taps | showering | accessories



TECHNICAL DRAWING

COLLECTION: ORIGINS

PRODUCT CODE: IND-ORI233-BLK



tel: 01934 744466
email: sales@vado.com
www.vado.com

where inspiration flows
taps | showering | accessories

